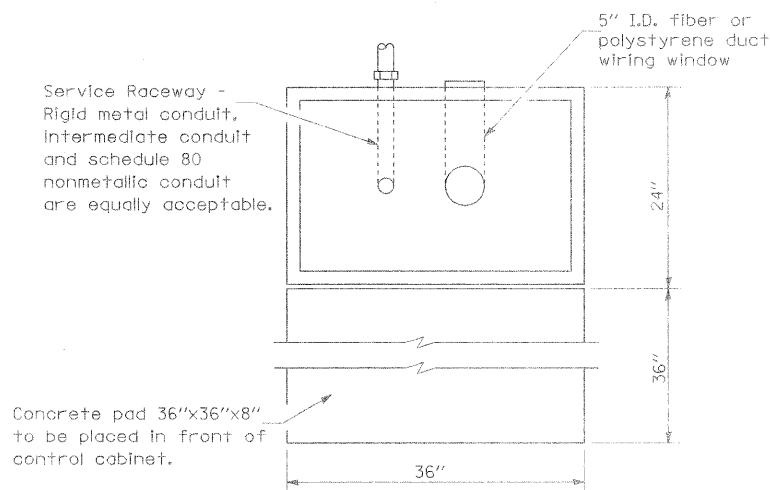
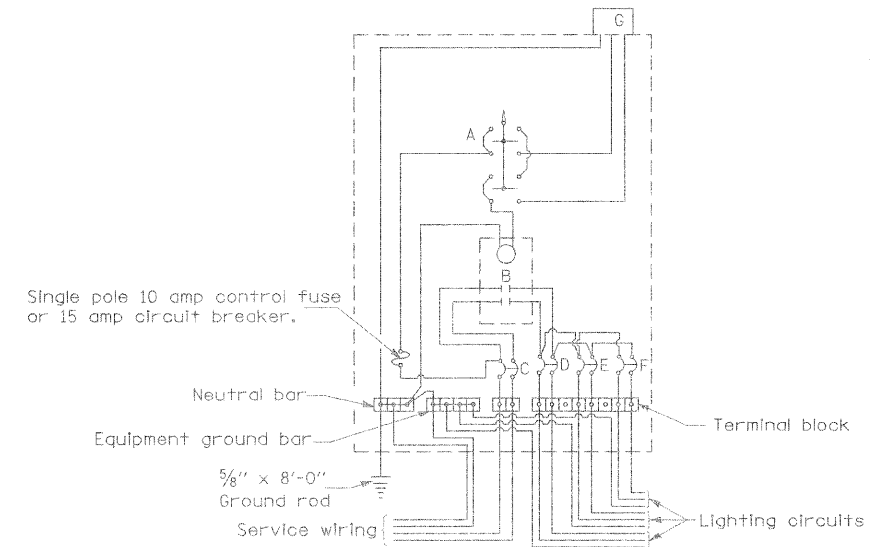


CONTROL INSTALLATION
(FRONT VIEW)



FOUNDATION
(TOP VIEW)

- A Selector switch
- B 2 Pole 100 amp contactor
- C 2 Pole 60 amp service disconnect
- D,E,F 2 Pole 30 amp breakers
- G Photocell w/integral surge arrester



WIRING DIAGRAM

GENERAL NOTES

Locate service pole and control installation adjacent to R.O.W. line with a minimum distance of 30' from the edge of pavement. Exact location shall be established by the Engineer.

The underground service entrance wiring shall not exceed 150'. Total aerial and underground service between the control installation and primary transformer shall not exceed 250'.

Raceways shall terminate 3" above top of concrete foundation.

For 480 V. systems, a 480/120 V. control transformer will be required.

- 240 V. SERVICE
- 480 V. SERVICE

All dimensions are in inches unless otherwise shown.

CONTROL INSTALLATION
TYPE CB-RCS-100

LGT-006

FILE NAME =	USER NAME = shepardgd	DESIGNED -	REVISED -	STATE OF ILLINOIS DEPARTMENT OF TRANSPORTATION	CONTROL INSTALLATION DETAIL	F.A.P. RTE.	SECTION	COUNTY	TOTAL SHEETS	SHEET NO.
es:\pw_work\pw1dot\SHEPARDGD\dss47338\fdstam13-sht-light.dgn		DRAWN -	REVISED -			331	(1-2)N-2,R;(1X-1)N-3,R-2	WILLIAMSON	202	97
PLOT SCALE = 50,0000 ' / IN.		CHECKED -	REVISED -			SCALE: SHEET NO. OF SHEETS STA. 653+00.00 TO STA. 668+00.00		CONTRACT NO. 98857		
PLOT DATE = 10/14/2009		DATE -	REVISED -			ILLINOIS FED. AID PROJECT				