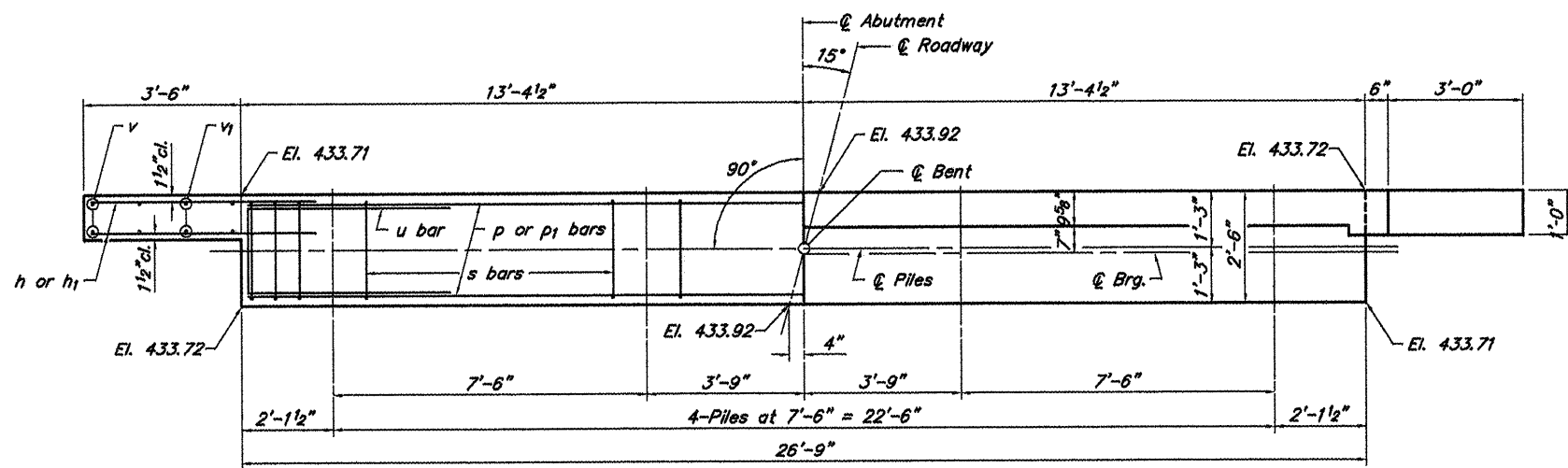
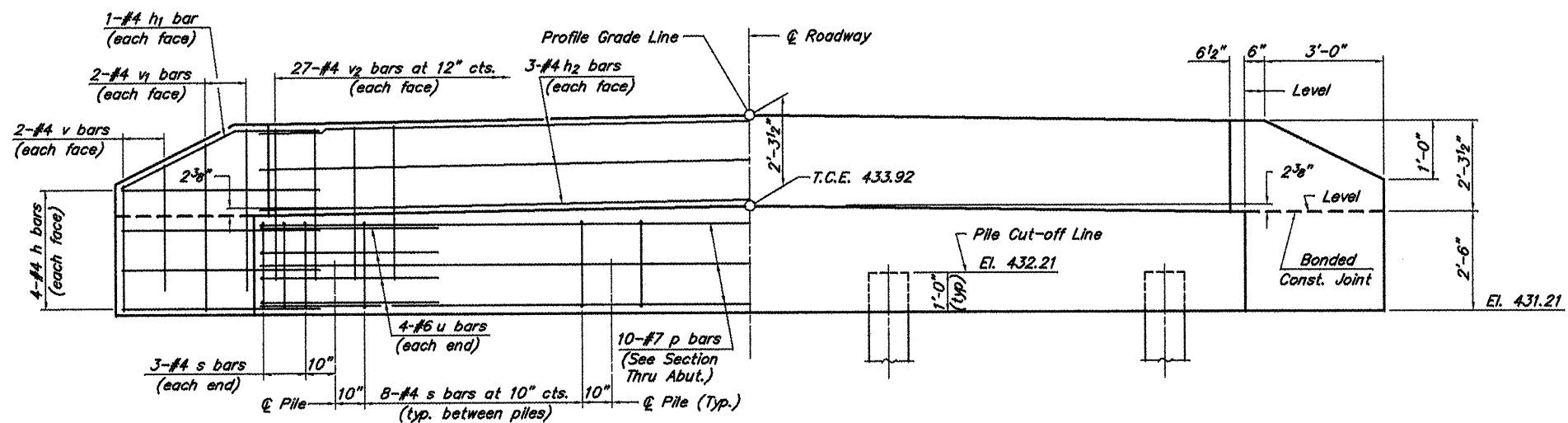


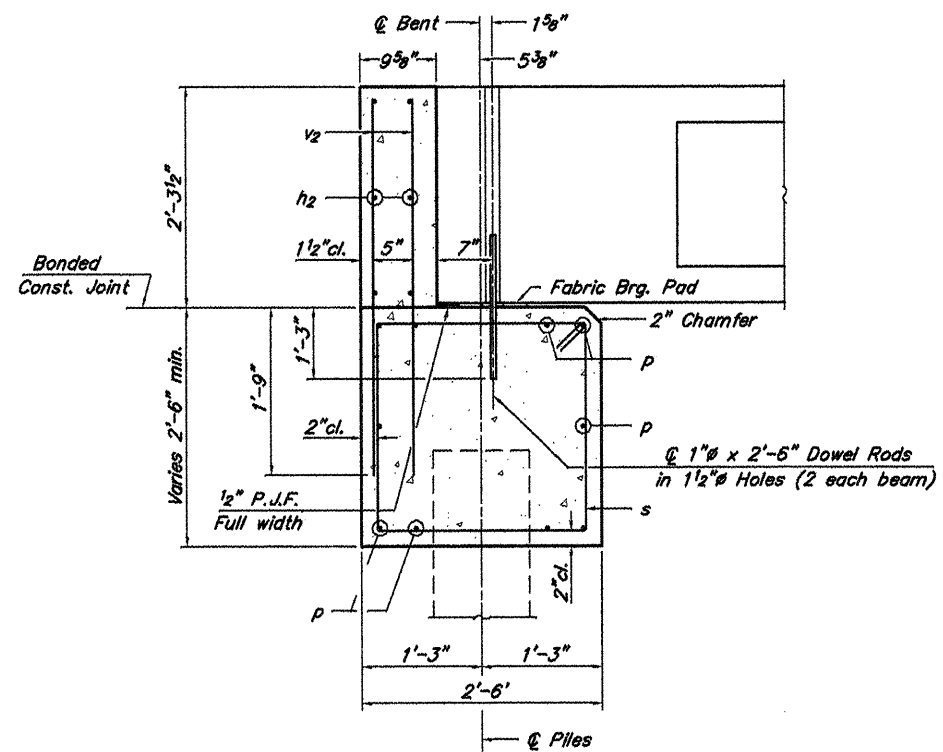
ROUTE	SECTION	COUNTY	TOTAL SHEETS	SHEET NO
TR 320	06-10125-00-BR	FRANKLIN	14	9
PROJECT NO. BROS-055(52)			CONTRACT NO. 99308	



PLAN



ELEVATION



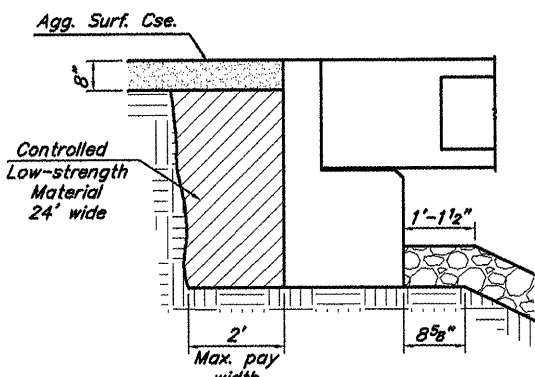
SECTION THRU ABUT.
(At Right Angles)

BAR LIST FOR ONE ABUTMENT

Bar	No.	Size	Length	Shape
h	16	#4	5'-0"	—
h1	4	#4	5'-0"	—
h2	6	#4	26'-5"	—
p	10	#7	26'-5"	—
s	27	#4	9'-5"	□
u	8	#6	11'-1"	□
v	8	#4	3'-8"	—
v1	8	#4	4'-4"	—
v2	54	#4	3'-11"	—

QUANTITIES FOR ONE ABUTMENT

Concrete Structures	9.4	Cu. Yds.
Reinforcement Bars	1,219	Lbs.



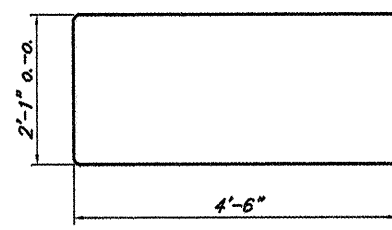
BACKFILL & BERM DETAIL

NOTES

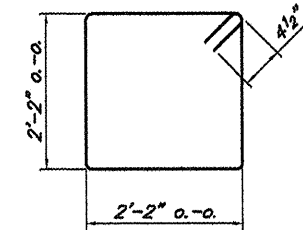
- The Backwall and the portion of the Wingwalls above the bonded construction joint shall be cast against the in-place beam.
- Reinforcement bars shall conform to A.A.S.H.T.O. M-31, M-42 or M-53, Grade 60.

DESIGN STRESSES

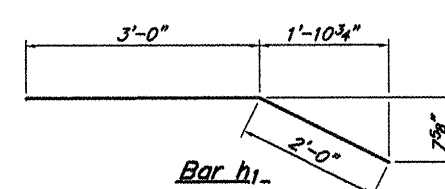
$f_c = 3,500$ psi
 $f_y = 60,000$ psi



Bar u



Bar s



Bar h1

ABUTMENT
TOWNSHIP ROUTE 320 (FRISCO ROAD)
TAYLOR BRANCH
SECTION 06-10125-00-BR
FRANKLIN COUNTY
STRUCTURE NO. 028-3403