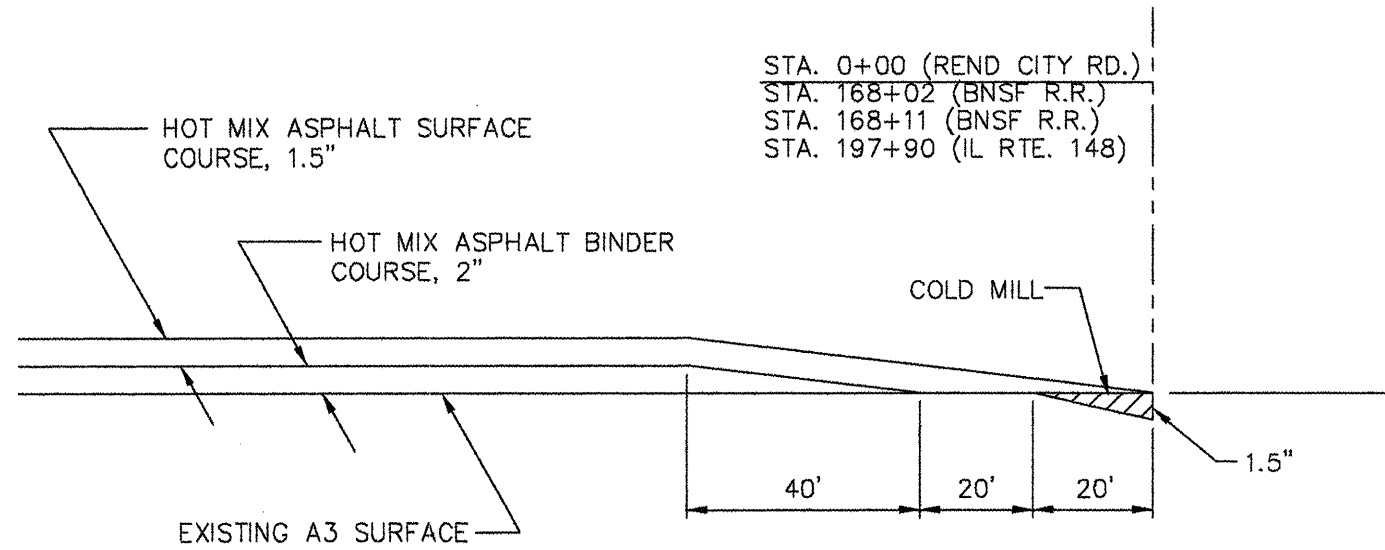
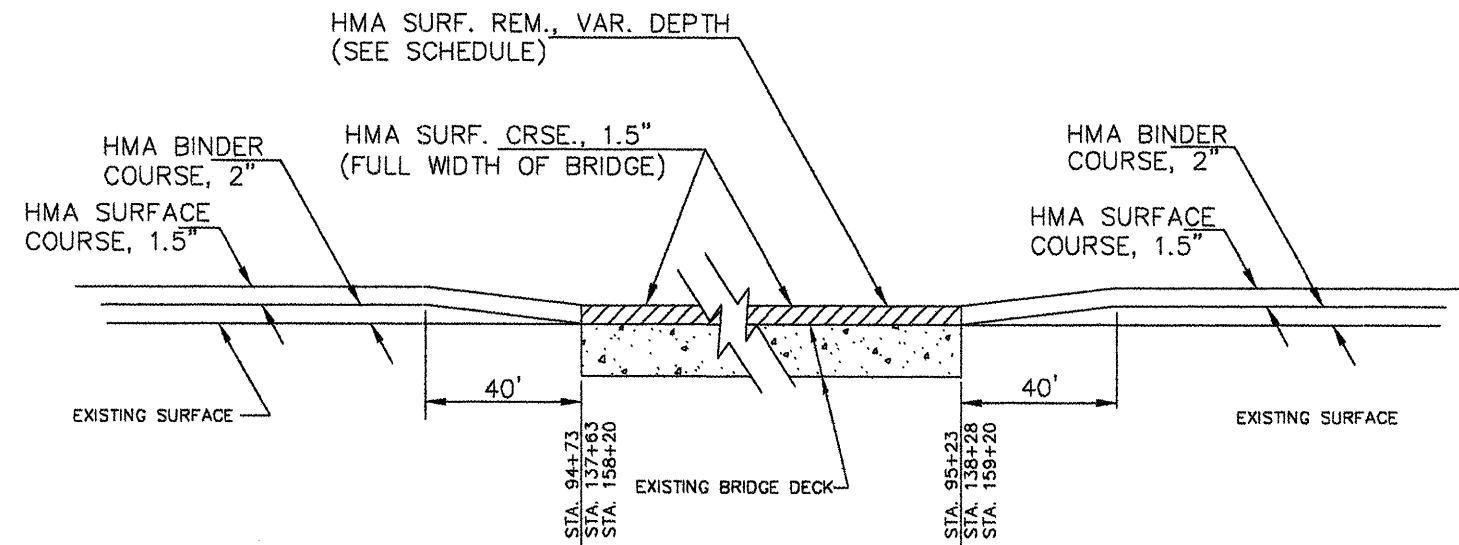


ROUTE	SECTION	COUNTY	TOTAL SHEETS	SHEET NO.
FAS 1881	07-00166-00-RS	FRANKLIN	8	3
PARK STREET ROAD			CONTRACT NO. 99336	



LOCATION	COLD MILLING
STA. 0+00 TO 0+80	116 SY
STA. 167+22 TO 168+02	44 SY
STA. 168+11 TO 168+91	44 SY
STA. 197+10 TO 197+90	191 SY
TOTAL	395 SY

BUTT JOINT DETAIL (MAINLINE)



LOCATION	*SURFACE TYPE/ THICKNESS	COLD MILLING
STA. 94+73 TO 95+23	A3 & BAM / 2"±	156 SY
STA. 137+63 TO 138+28	A3 / 2"±	205 SY
STA. 158+20 TO 159+20	A3 & BAM / 3"±	267 SY
TOTAL		628 SY

* DENOTES EXISTING SURFACE TYPE

SURFACING AT BRIDGES