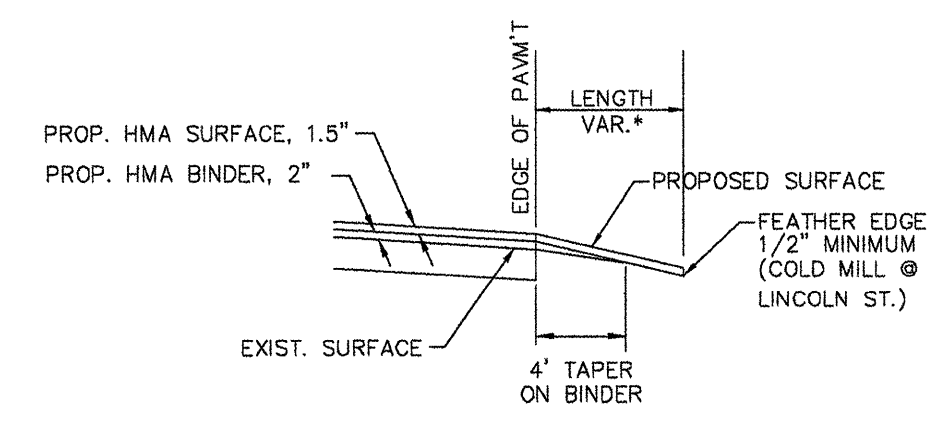
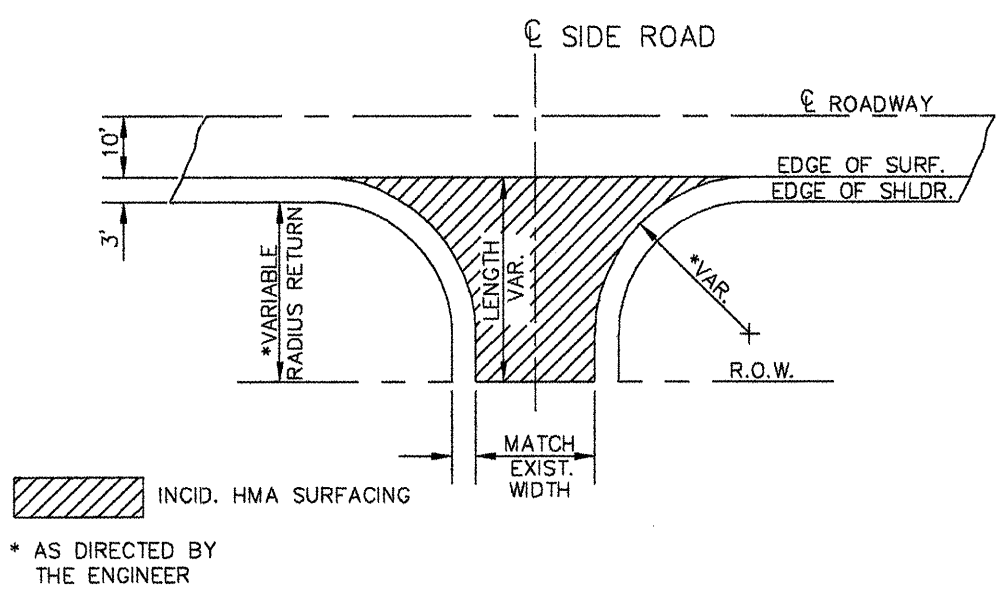
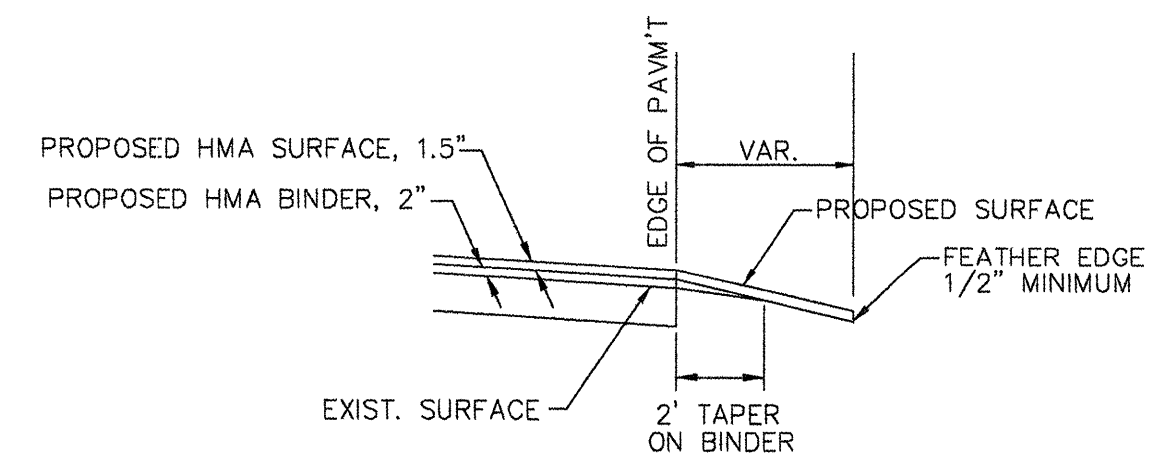
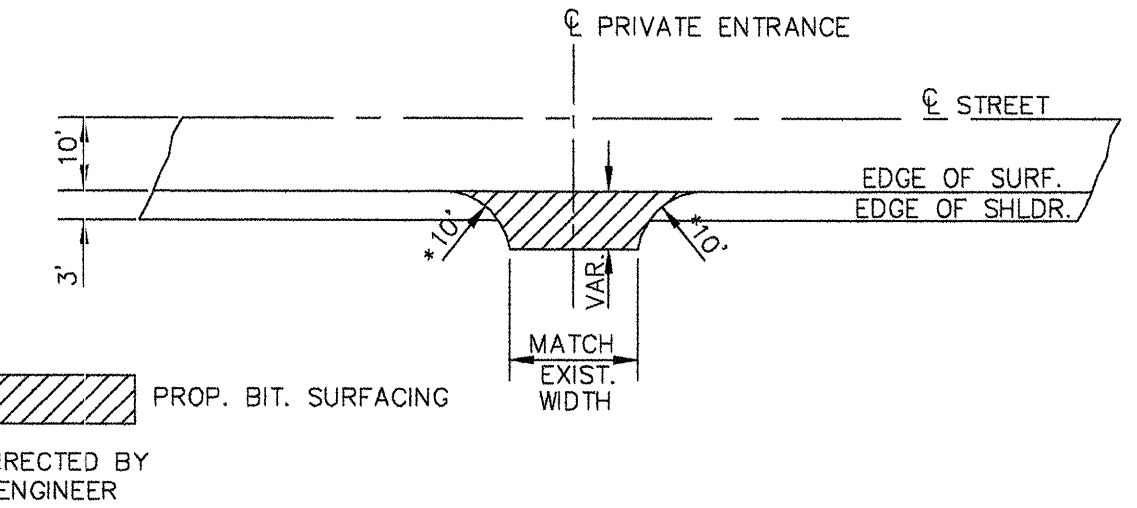


ROUTE	SECTION	COUNTY	TOTAL SHEETS	SHEET NO.
FAS 1881	07-00166-00-RS	FRANKLIN	8	5
PARK STREET ROAD			CONTRACT NO. 99336	



SIDEROAD DETAILS



PRIVATE ENTRANCE DETAILS