

STATE OF ILLINOIS
DEPARTMENT OF TRANSPORTATION

PLANS FOR PROPOSED
ROADWAY IMPROVEMENTS

FAS ROUTE 1881

AMERICAN RECOVERY AND REINVESTMENT ACT 2009
FRANKLIN COUNTY, ILLINOIS
SECTION 07-00166-00-RS
PROJECT PARS-1881(114)
JOB C-99-512-08

ROUTE	SECTION	COUNTY	TOTAL SHEETS	SHEET NO.
FAS 1881	07-00166-00-RS	FRANKLIN	8	1
PARK STREET ROAD		CONTRACT NO. 99336		

LEG A	DESIGN CLASSIFICATION : COLLECTOR	DESIGN CLASSIFICATION : COLLECTOR
	DHV : 115	DHV : 145
	ADT ₂₀₀₄ : 1150	ADT ₂₀₀₄ : 1450
	ADT ₂₀₃₀ : 1490	ADT ₂₀₃₀ : 1880
	DESIGN SPEED : 50	DESIGN SPEED : 50
LEG B	DESIGN CLASSIFICATION : COLLECTOR	DESIGN CLASSIFICATION : COLLECTOR
	DHV : 115	DHV : 100
	ADT ₂₀₀₄ : 1150	ADT ₂₀₀₄ : 1000
	ADT ₂₀₃₀ : 1490	ADT ₂₀₃₀ : 1300
	DESIGN SPEED : 50	DESIGN SPEED : 50

JOINT UTILITY LOCATING INFORMATION
FOR EXCAVATIONS (J.U.L.I.E.)
PHONE 1-800-892-0123

INDEX OF SHEETS

1. COVER SHEET
2. TYPICAL SECTION
- 3.-5. MISCELLANEOUS DETAILS
- 6.-7. MISCELLANEOUS SCHEDULES
8. ALIGNMENT

SUMMARY OF QUANTITIES

CODE NO.	PAY ITEM	UNIT	QUANTITY
40200800	AGGREGATE SURFACE COURSE, TYPE B	TON	135
40600100	BITUMINOUS MATERIALS (PRIME COAT)	GALLON	127
40600982	HOT MIX ASPHALT SURFACE REMOVAL - BUTT JOINT	SQYD	417
*40603085	HOT MIX ASPHALT BINDER COURSE, IL-19.0 N70	TON	5,613
*40603315	HOT MIX ASPHALT SURFACE COURSE, MIX C N70	TON	4,614
48100100	AGGREGATE SHOULDERS, TYPE A	TON	3,450
67100100	MOBILIZATION	L SUM	1
70300100	SHORT-TERM PAVEMENT MARKING	FOOT	1,978
78001100	PAINT PAVEMENT MARKING-LETTERS AND SYMBOLS	SQ FT	122.4
78001110	PAINT PAVEMENT MARKING-LINE 4"	FOOT	55,561
78001180	PAINT PAVEMENT MARKING-LINE 24"	FOOT	60
*Z0048665	RAILROAD PROTECTIVE LIABILITY INSURANCE	L SUM	1

* SEE SPECIAL PROVISIONS

Δ SPECIALTY ITEMS

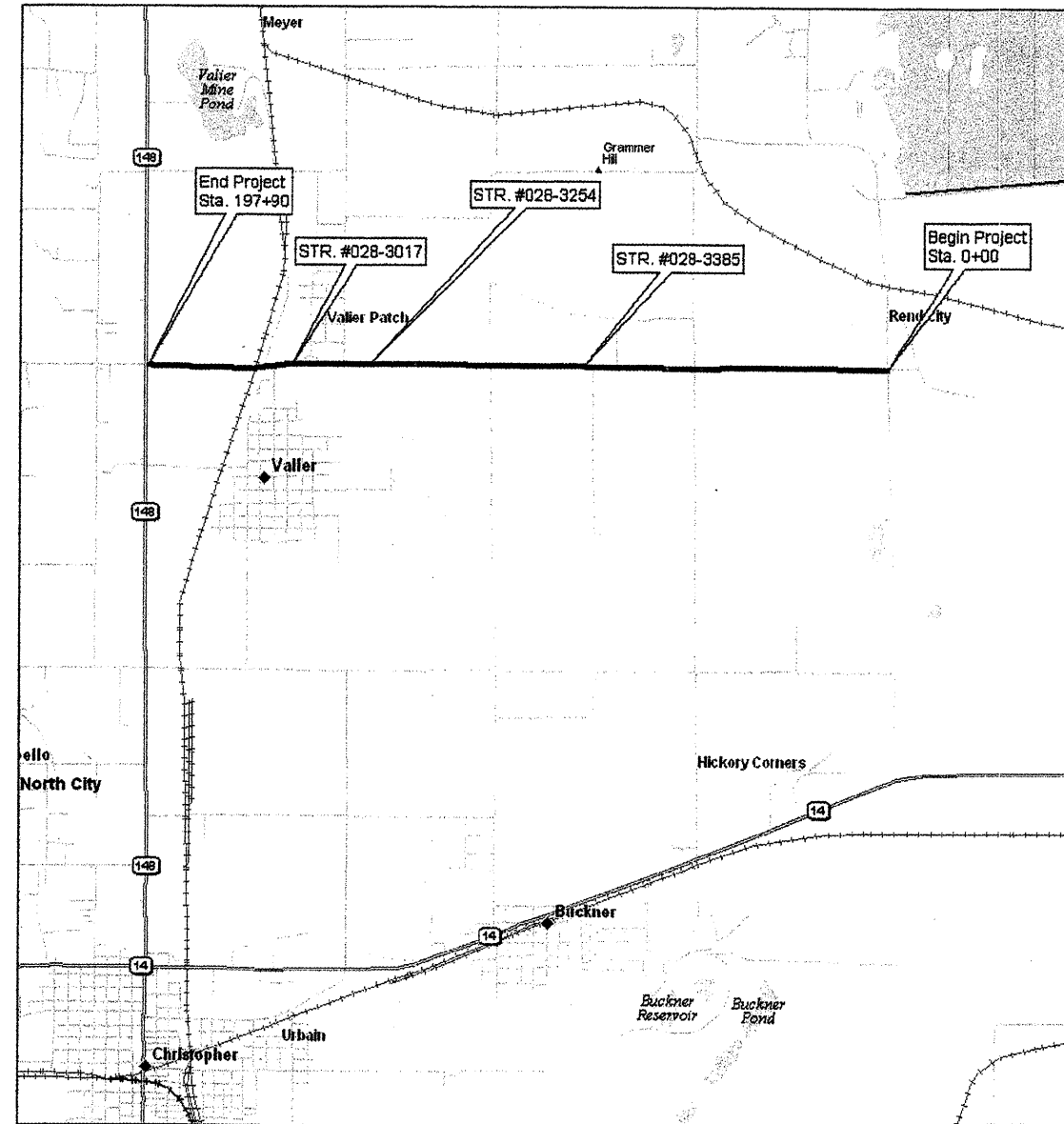
STANDARDS

- 701006-03
- 701301-03
- 701306-02
- 701311-03
- 701901-01
- 780001-02
- BLR 24-2

NOTE: STANDARDS ARE IN THE PROPOSAL

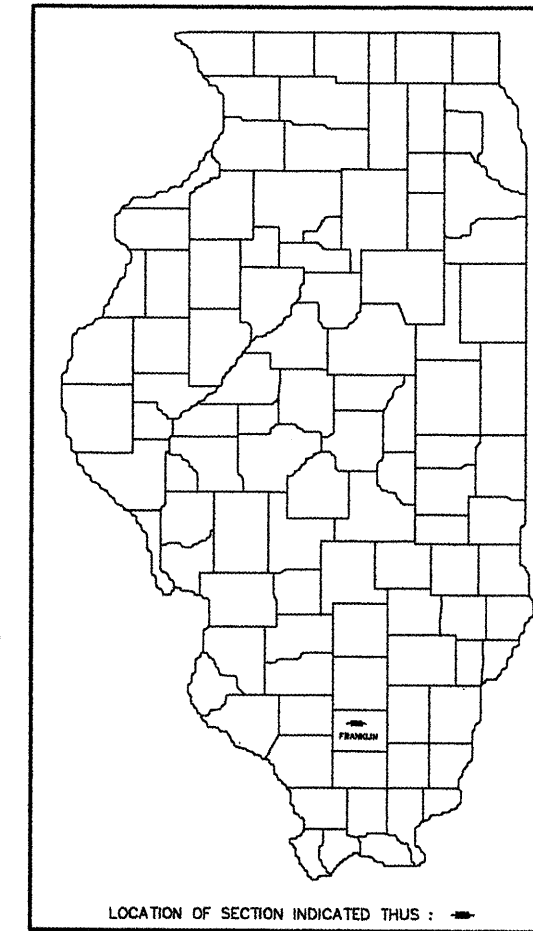
CONTRACT NO. 99336

LAL #007.164
BOOK 573, 574, 575



LOCATION MAP

NET LENGTH = 19,790 FT. (3.748 MILES)

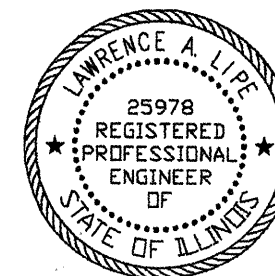


FRANKLIN COUNTY

Submitted: 10/06/ 20 09
Richard W. Roll
Local Agency Representative

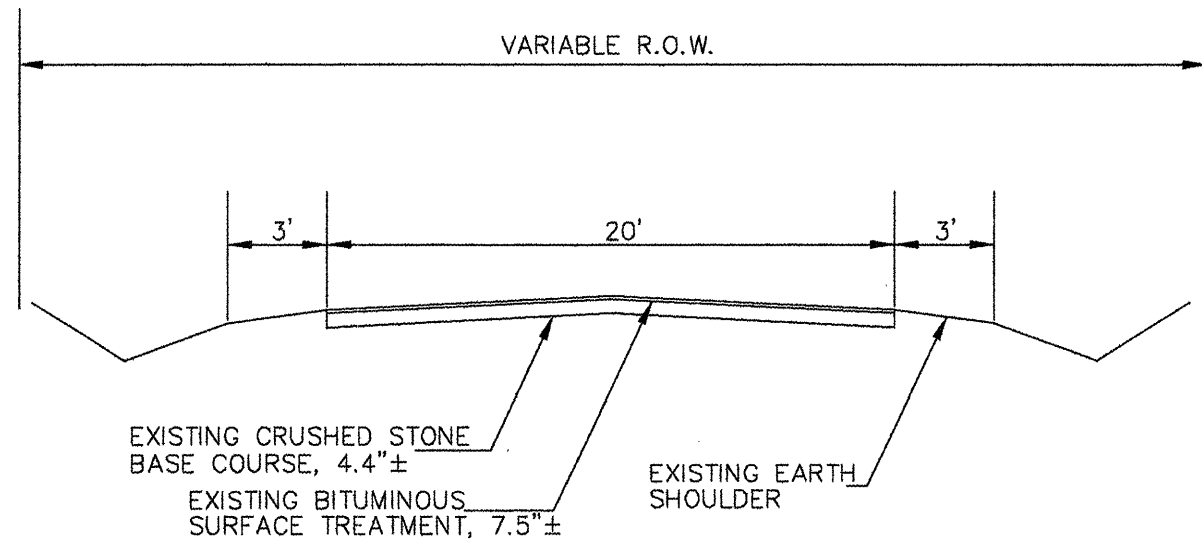
Passed: 10/14/ 20 09
Richard W. Melcher
District #9 Engineer of Local Roads & Streets

Releasing for Bid
Based on Limited
Review: 10-14 20 09
Mary C. Lammie
Deputy Director of Highways
Region #5 Engineer



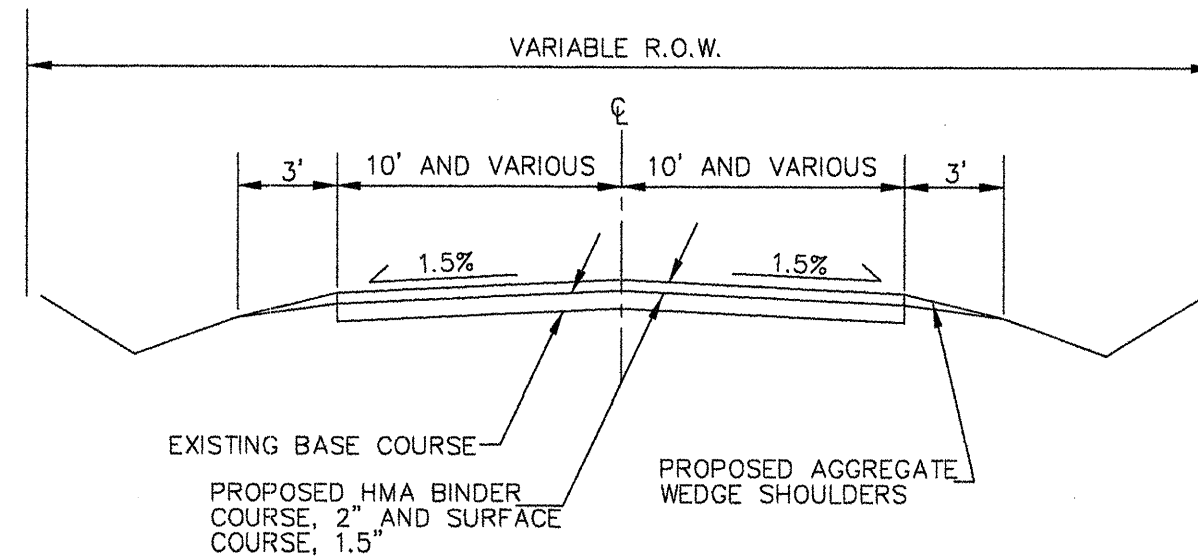
L. A. Lipe
LAWRENCE A. LIPE
ILLINOIS REGISTERED PROFESSIONAL
ENGINEER NO. 25978
EXPIRES 11/30/2009

ROUTE	SECTION	COUNTY	TOTAL SHEETS	SHEET NO.
FAS 1881	07-00166-00-RS	FRANKLIN	8	2
PARK STREET ROAD			CONTRACT NO. 99336	



TYPICAL EXISTING SECTION

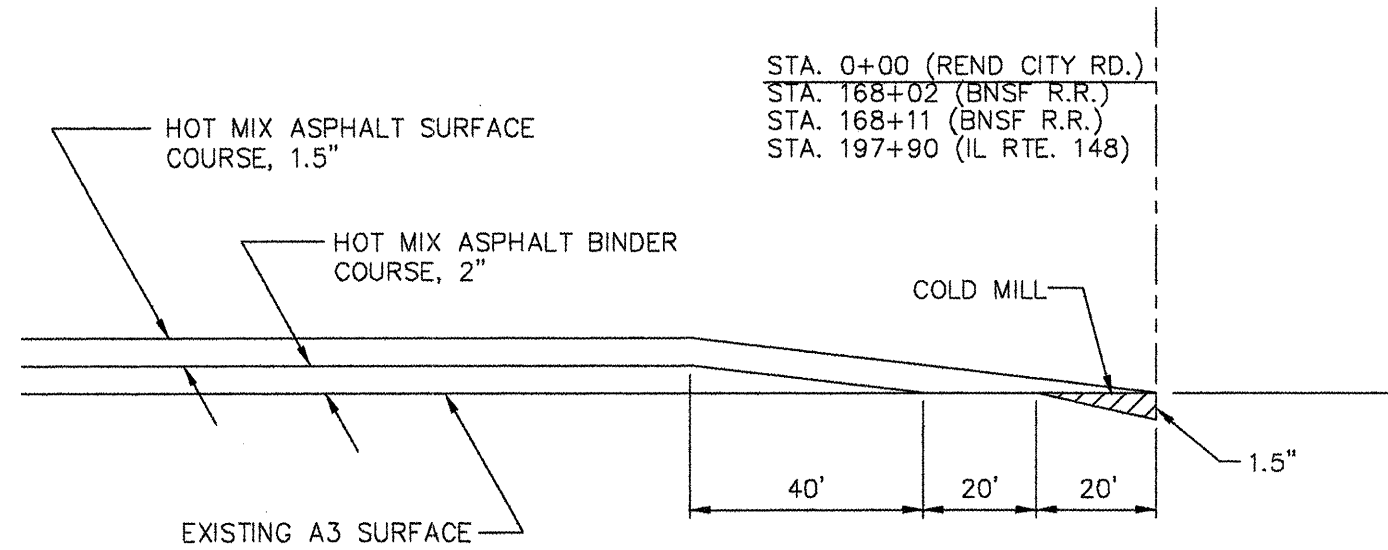
STATION 0+00 TO 197+90



TYPICAL PROPOSED SECTION

STATION 0+00 TO 197+90
STATION 168+02 TO 168+11 (RAILROAD OMISSION)

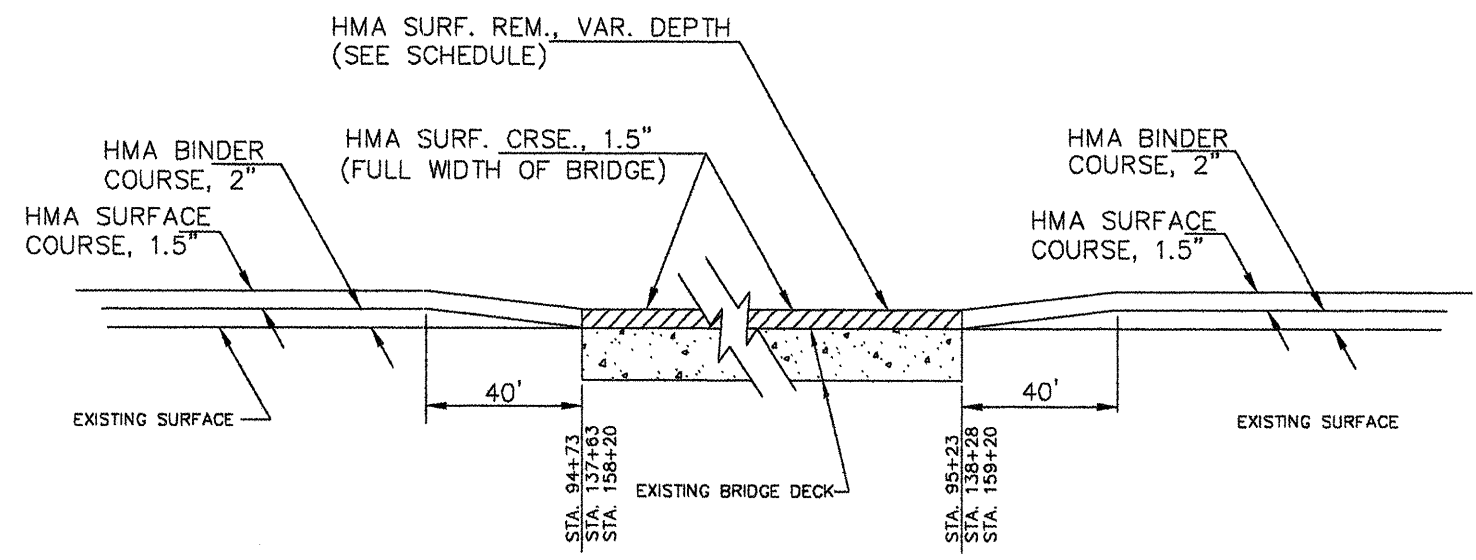
ROUTE	SECTION	COUNTY	TOTAL SHEETS	SHEET NO.
FAS 1881	07-00166-00-RS	FRANKLIN	8	3
PARK STREET ROAD			CONTRACT NO. 99336	



STA. 0+00 (REND CITY RD.)
 STA. 168+02 (BNSF R.R.)
 STA. 168+11 (BNSF R.R.)
 STA. 197+90 (IL RTE. 148)

LOCATION	COLD MILLING
STA. 0+00 TO 0+80	116 SY
STA. 167+22 TO 168+02	44 SY
STA. 168+11 TO 168+91	44 SY
STA. 197+10 TO 197+90	191 SY
TOTAL	395 SY

BUTT JOINT DETAIL (MAINLINE)

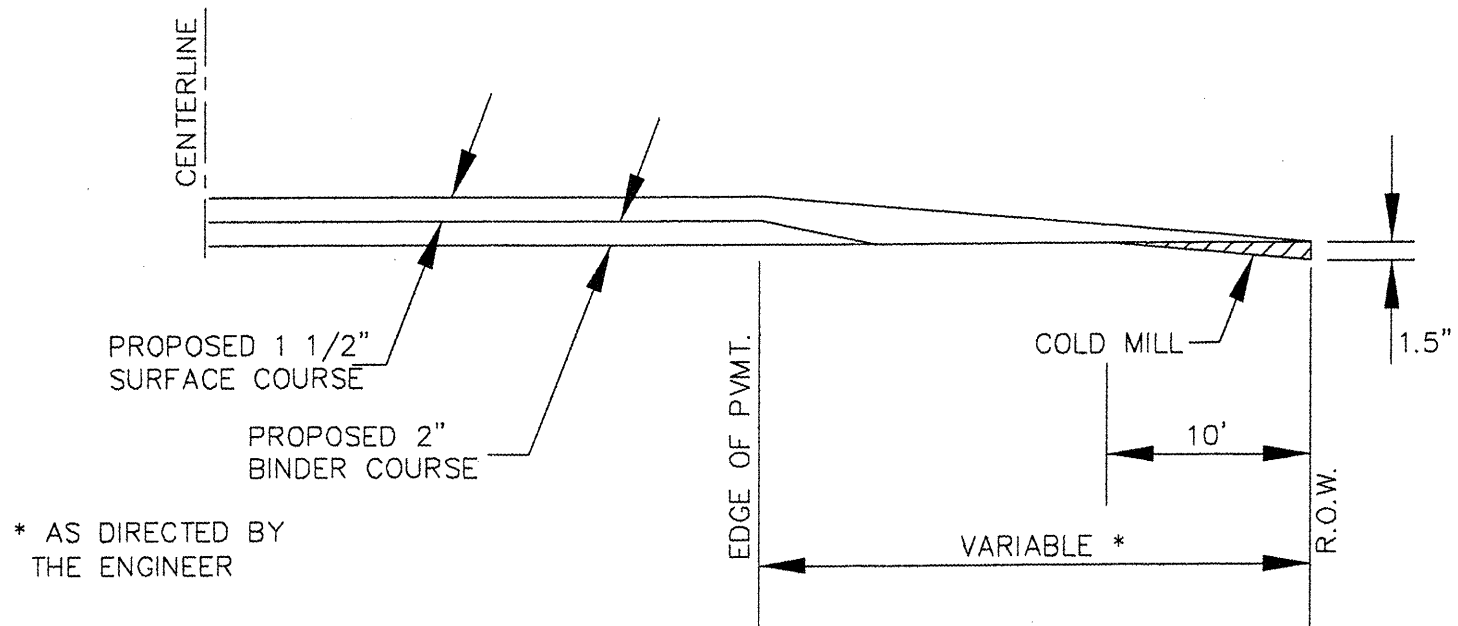


LOCATION	*SURFACE TYPE / THICKNESS	COLD MILLING
STA. 94+73 TO 95+23	A3 & BAM / 2"±	156 SY
STA. 137+63 TO 138+28	A3 / 2"±	205 SY
STA. 158+20 TO 159+20	A3 & BAM / 3"±	267 SY
TOTAL		628 SY

* DENOTES EXISTING SURFACE TYPE

SURFACING AT BRIDGES

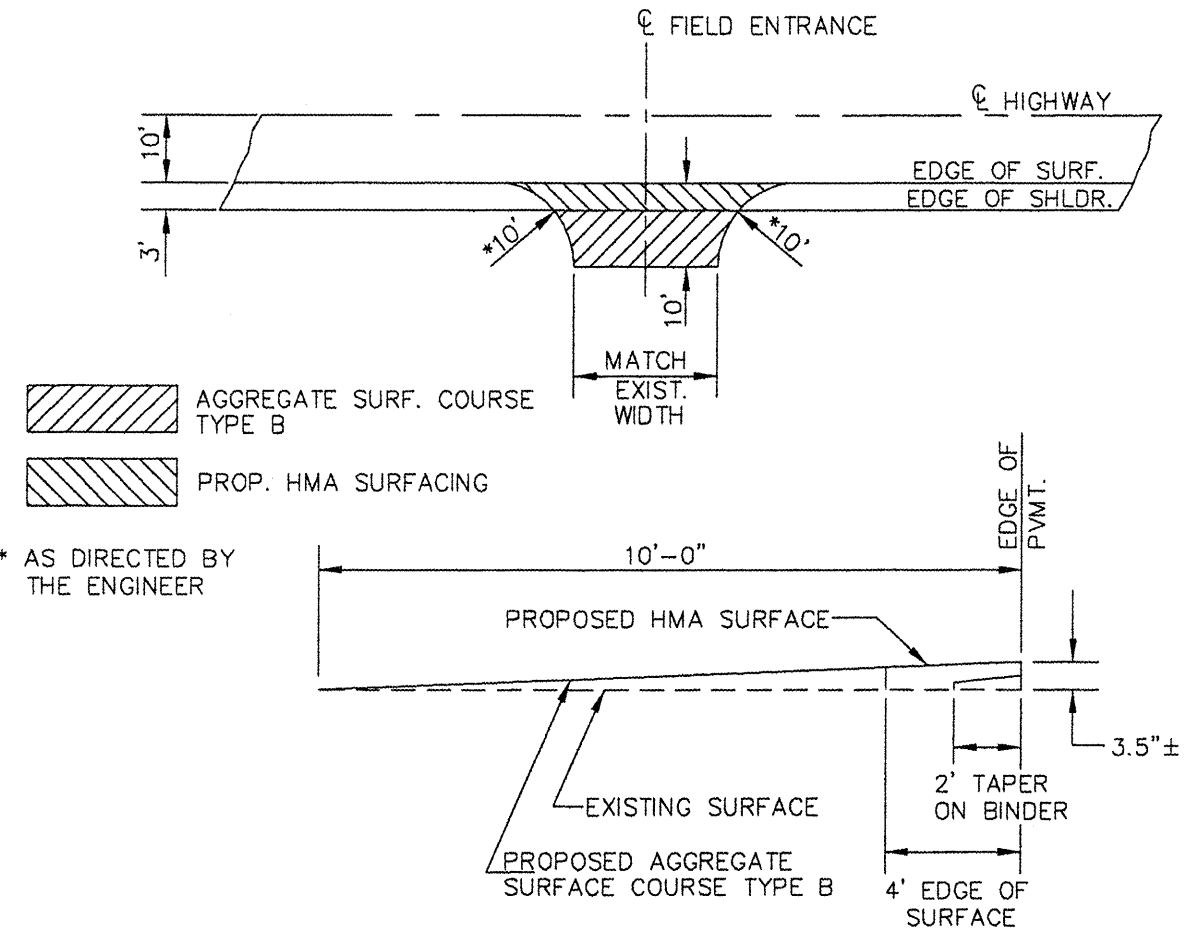
ROUTE	SECTION	COUNTY	TOTAL SHEETS	SHEET NO.
FAS 1881	07-00166-00-RS	FRANKLIN	8	4
PARK STREET ROAD			CONTRACT NO. 99336	



* AS DIRECTED BY THE ENGINEER

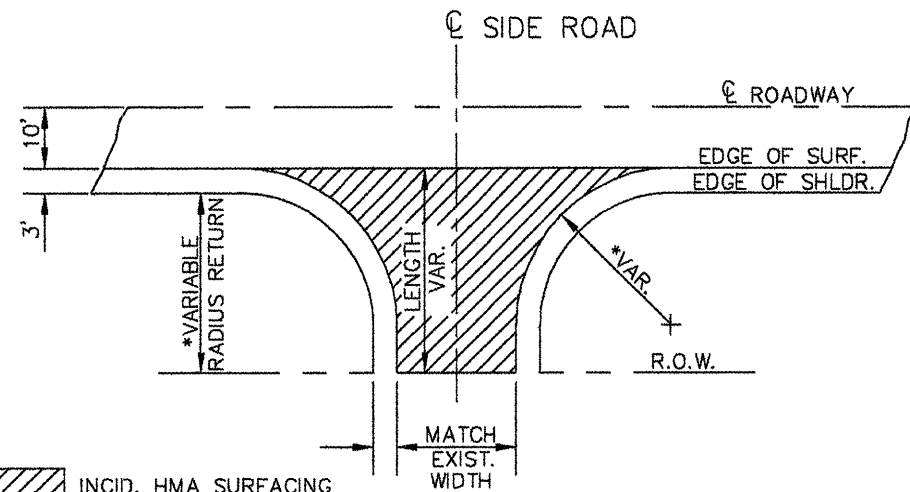
LOCATION	COLD MILLING
LT. STA. 163+98 (LINCOLN ST. to Valier)	22 SY

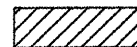
BUTT JOINT DETAIL (SIDEROADS)



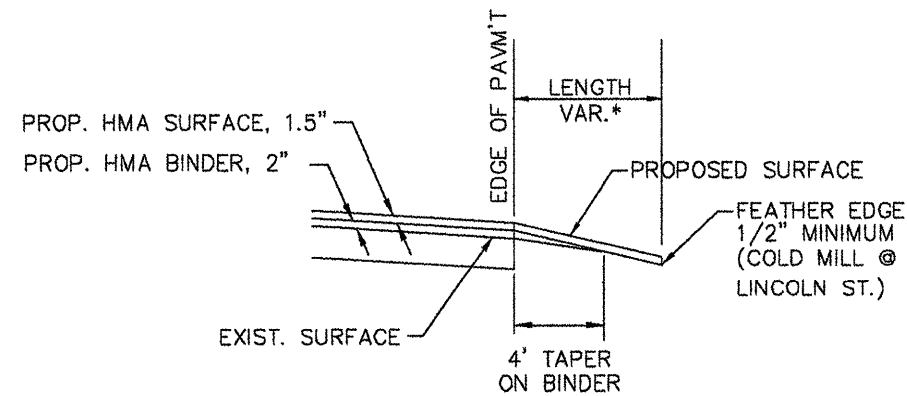
FIELD ENTRANCE DETAILS

ROUTE	SECTION	COUNTY	TOTAL SHEETS	SHEET NO.
FAS 1881	07-00166-00-RS	FRANKLIN	8	5
PARK STREET ROAD			CONTRACT NO. 99336	

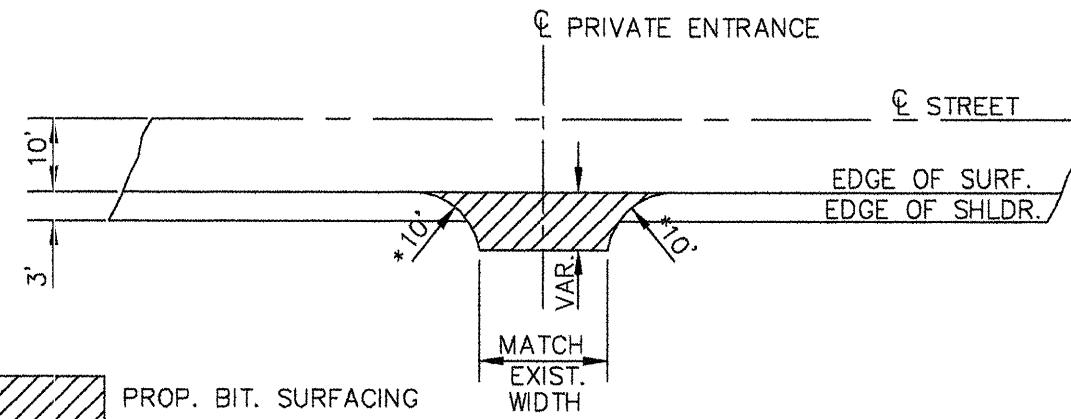


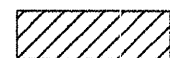
 INCID. HMA SURFACING

* AS DIRECTED BY THE ENGINEER

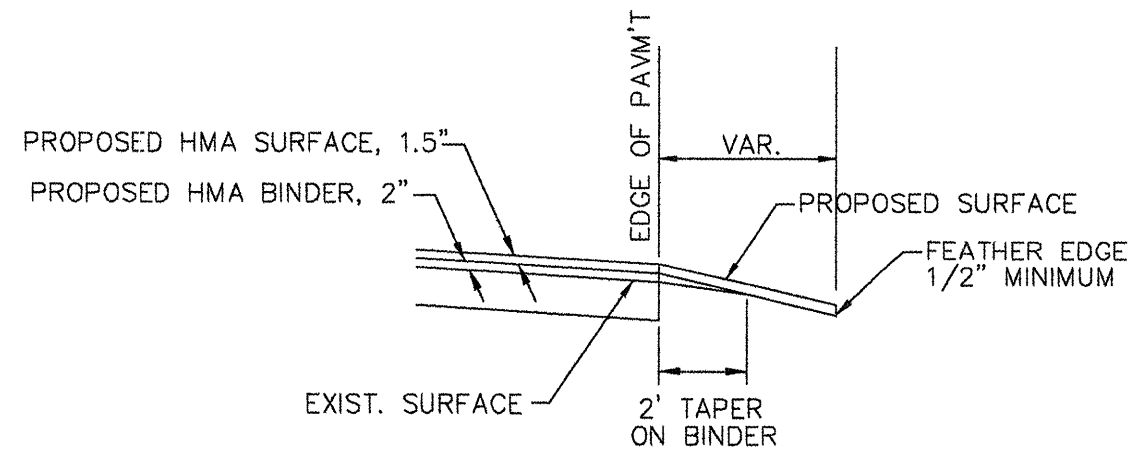


SIDEROAD DETAILS



 PROP. BIT. SURFACING

* AS DIRECTED BY THE ENGINEER



PRIVATE ENTRANCE DETAILS

SIDEROAD ENTRANCE QUANTITIES

LOCATION	HMA SURF. CRSE. MIX "C" N70 TON
LT. STA. 52+15 (WATER RD.)	11
RT. STA. 52+15 (WATER RD.)	11
LT. STA. 62+55 (HAWK RIDGE RD.)	4
RT. STA. 72+64 (LAMBERT RD.)	5
RT. STA. 92+53 (MT. PLEASANT RD.)	4
LT. STA. 106+34 (LINCOLN RD.)	7
RT. STA. 106+34 (LINCOLN RD.)	7
RT. STA. 145+25 (KATHERINE ST.)	9
RT. STA. 152+82 (610 E.)	8
RT. STA. 156+21 (MELINDA ST. 600E)	8
LT. STA. 163+98 (LINCOLN ST. to Valier)	17
TOTALS	91 TON

FIELD ENTRANCE QUANTITIES

ENTRANCES	AGGREGATE SURFACE COURSE TYPE B, TON	HMS SURF. CRSE. MIX "C" N70 TON
ONE (1) ENTRANCE	5	2
TOTAL = 27 ENTRANCES	135	54

PRIVATE ENTRANCE QUANTITIES

ENTRANCES	BITUMINOUS MATERIALS (PRIME COAT) GALLON	HMA SURF. CRSE. MIX "C" N70 TON
ONE (1) ENTRANCE	2	3
TOTAL = 46 ENTRANCES	92	138

MAILBOX TURNOUT QUANTITIES

TURNOUT	BITUMINOUS MATERIALS (PRIME COAT) GALLON	HMA SURF. CRSE. MIX "C" N70 TON
ONE (1) TURNOUT	1	2
TOTAL = 35 TURNOUTS	35	70

ROUTE	SECTION	COUNTY	TOTAL SHEETS	SHEET NO.
FAS 1881	07-00166-00-RS	FRANKLIN	8	7
PARK STREET ROAD		CONTRACT NO. 99336		

SCHEDULE OF PAVEMENT MARKING LINE, 4"

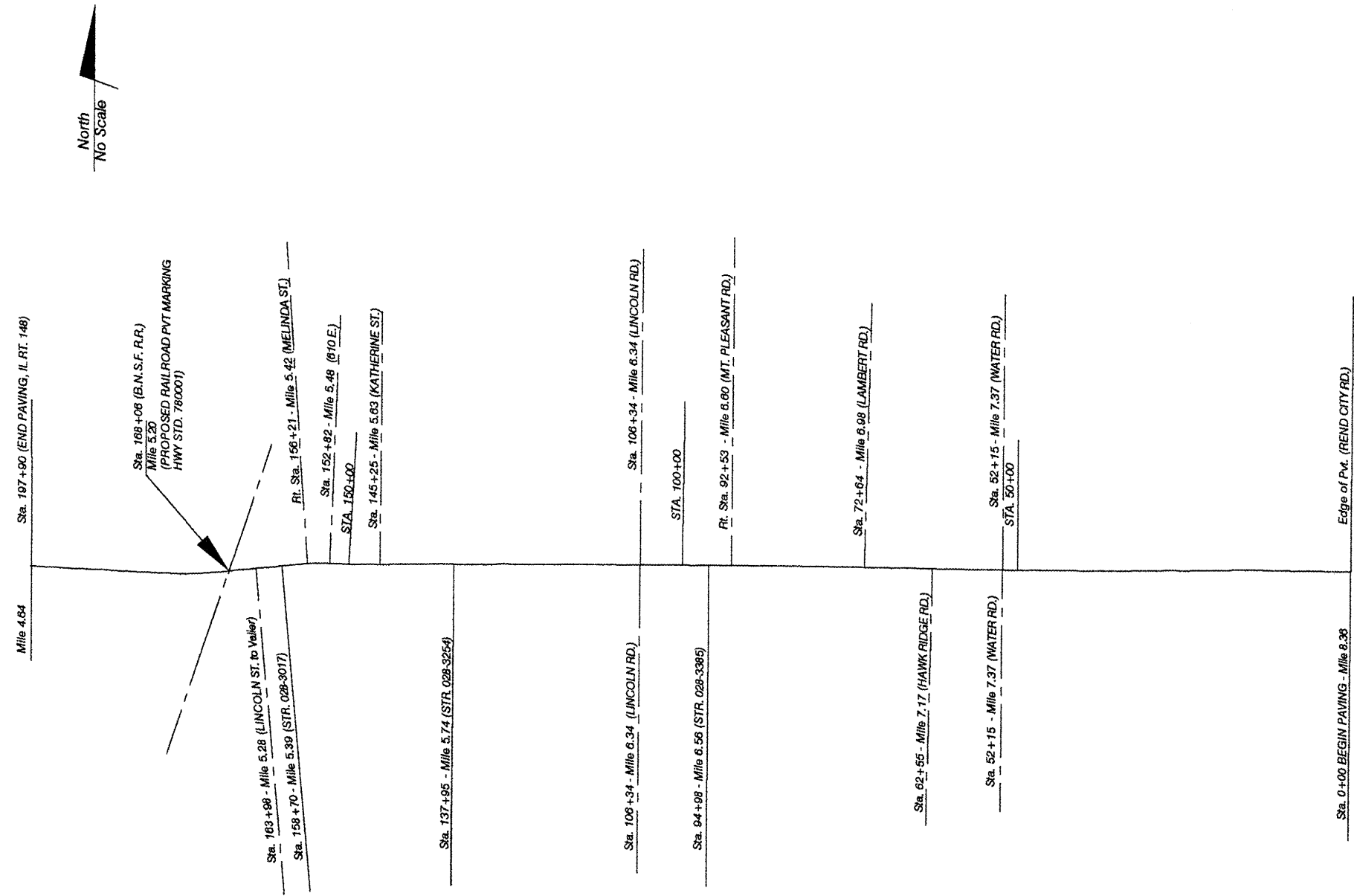
EAST BOUND LANE			WEST BOUND LANE			
STATION	NO PASSING (YELLOW SOLID)	EDGE LINE (WHITE SOLID)	STATION	NO PASSING (YELLOW SOLID)	EDGE LINE (WHITE SOLID)	CENTERLINE (YELLOW DASHED)
0+00 - 35+00	-	3,500 FT.	0+00 - 7+25	-	725 FT.	0+00 - 38+25/ 1,530 FT.
35+00 - 41+00	600 FT.	600 FT.	7+25 - 13+75	650 FT.	650 FT.	41+00 - 94+50/ 2,140 FT.
41+00 - 45+75	-	475 FT.	13+75 - 27+75	-	1,400 FT.	100+00 - 161+00/ 2,440 FT.
45+75 - 51+75	600 FT.	600 FT.	27+75 - 33+50	575 FT.	575 FT.	166+50 - 197+90/ 1,256 FT.
51+75 - 76+50	-	2,317 FT.	33+50 - 38+25	-	475 FT.	
76+50 - 83+00	650 FT.	650 FT.	38+25 - 43+75	550 FT.	550 FT.	
83+00 - 88+50	-	550 FT.	43+75 - 69+25	-	2,478 FT.	
88+50 - 107+75	1,925 FT.	1,860 FT.	69+25 - 75+75	650 FT.	600 FT.	
107+75 - 160+25	-	5,250 FT.	75+75 - 94+50	-	1,835 FT.	
160+25 - 174+00	1,375 FT.	1,375 FT.	94+50 - 100+00	550 FT.	550 FT.	
174+00 - 197+90	-	2,390 FT.	100+00 - 143+00	-	4,240 FT.	
TOTALS	5,150 FT.	19,567 FT.	143+00 - 148+75	575 FT.	505 FT.	
			148+75 - 161+00	-	1,105 FT.	
			161+00 - 166+50	550 FT.	550 FT.	
			166+50 - 197+90	-	3,140 FT.	
			TOTALS	4,100 FT.	19,378 FT.	7,366 FT.

NOTE: EXACT LOCATION OF PAVEMENT MARKINGS TO BE VERIFIED BY THE ENGINEER

PAVEMENT MARKINGS RAILROAD GRADE CROSSING		
STATION	PAINT PVT. MK. LINE 24"	PAINT PVT. MK. LTRS. & SYMB.
* 168+06	60 FT.	122.4 S.F.

* EXACT LOCATION OF PAVEMENT MARKINGS TO BE VERIFIED BY THE ENGINEER.

ROUTE	SECTION	COUNTY	TOTAL SHEETS	SHEET NO.
FAS 1881	07-00166-00-RS	FRANKLIN	8	8
PARK STREET ROAD		CONTRACT NO. 99336		



Alignment