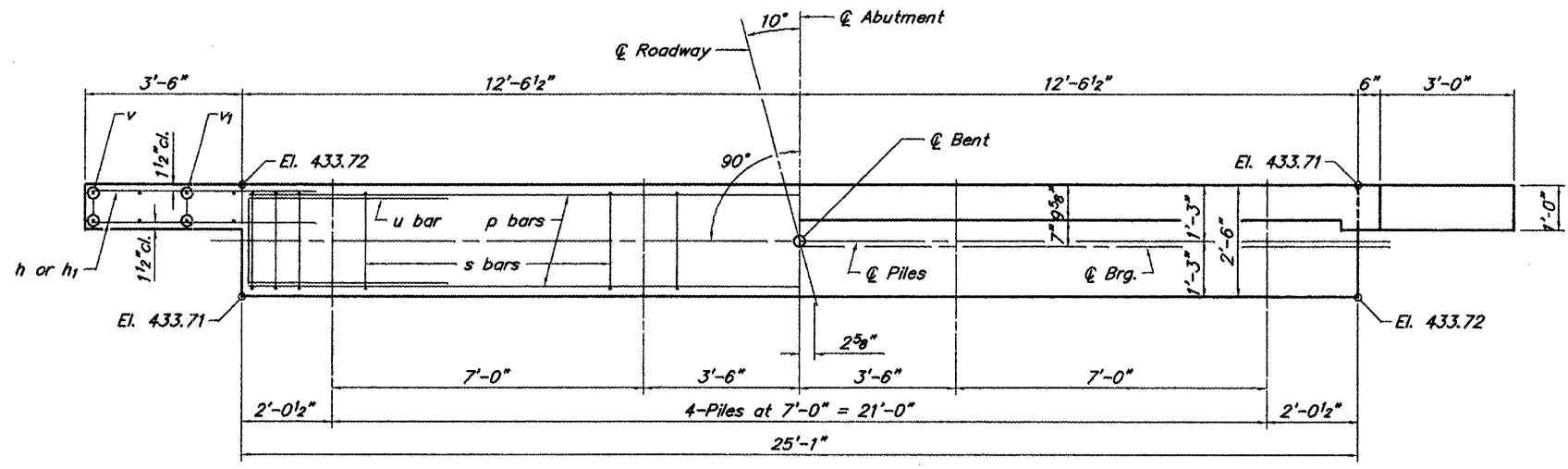
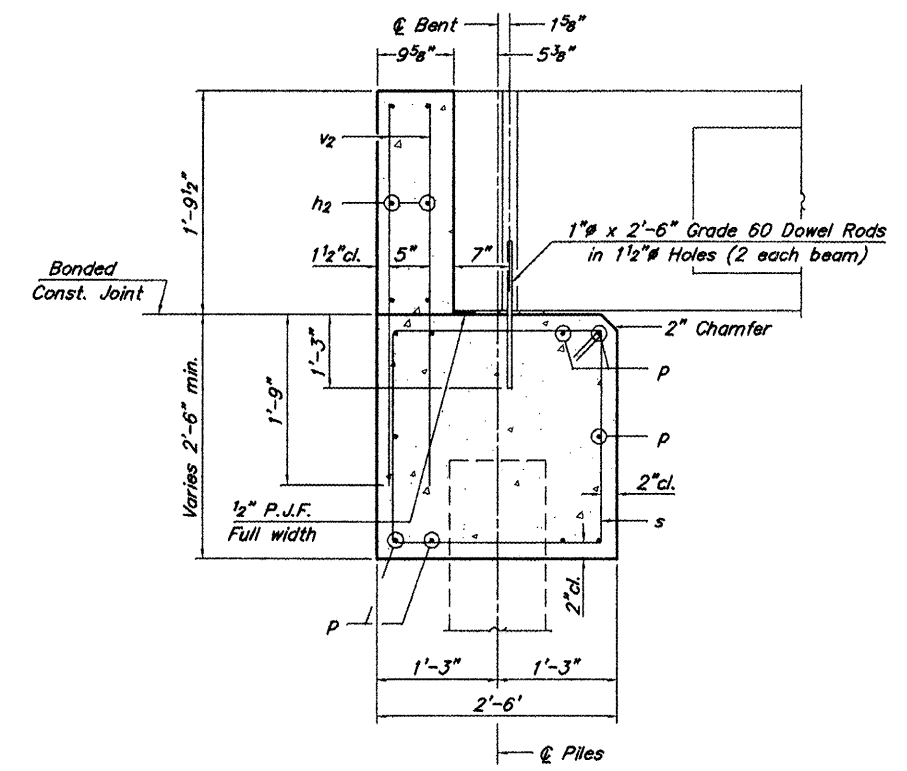


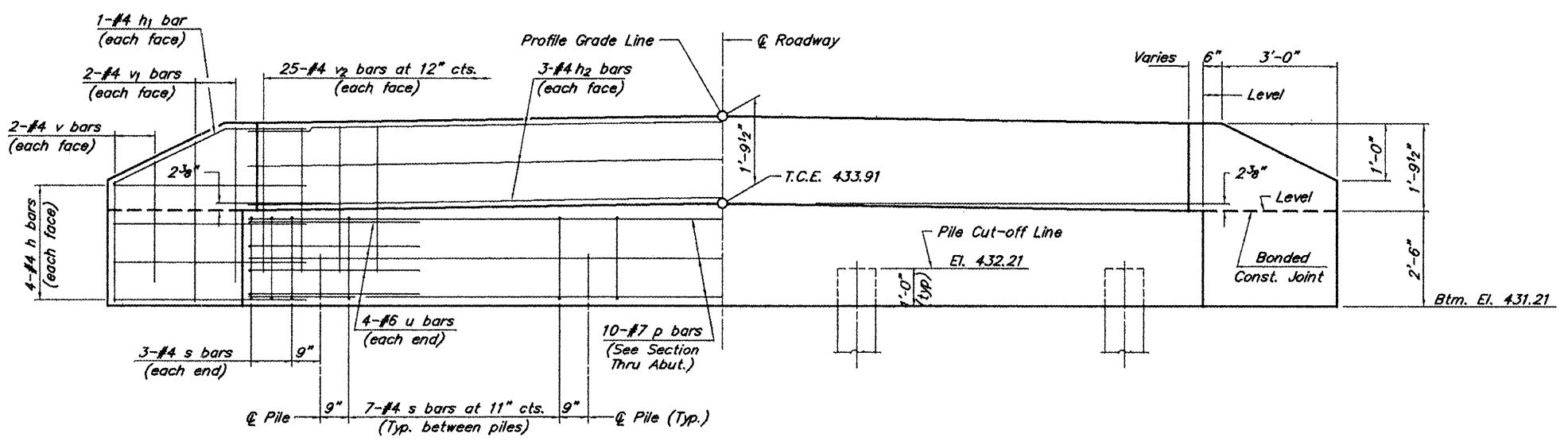
ROUTE	SECTION	COUNTY	TOTAL SHEETS	SHEET NO
FAU 9901	06-01186-00-BR	UNION	10	6
PROJECT NO. ARA-BRS-0181(048)			CONTRACT NO. 99352	



PLAN



SECTION THRU ABUT.  
(At Right Angles)



ELEVATION

BILL OF MATERIAL FOR ONE ABUTMENT

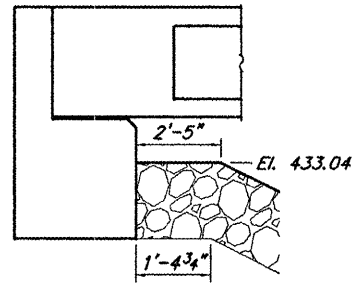
Bar	No.	Size	Length	Shape
h	16	#4	5'-0"	—
h1	4	#4	5'-0"	—
h2	6	#4	24'-9"	—
p	10	#7	24'-9"	—
s	27	#4	9'-5"	□
u	8	#6	11'-1"	—
v	8	#4	3'-2"	—
v1	8	#4	3'-10"	—
v2	50	#4	3'-5"	—
Concrete Structures			8.4	Cu. Yds.
Reinforcement Bars			1,126	Lbs.

NOTES

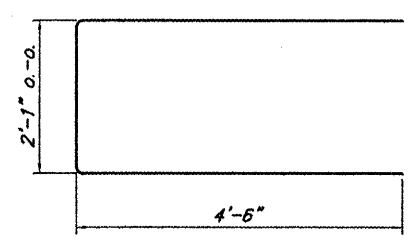
- The Backwall and the portion of the Wingwalls above the bonded construction joint shall be cast against the in-place beam.
- Reinforcement bars shall conform to A.A.S.H.T.O. M-31, M-42 or M-53, Grade 60.

DESIGN STRESSES

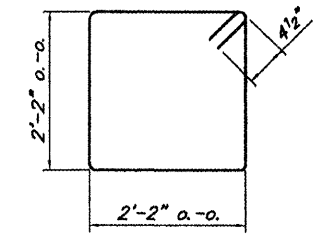
$f'_c = 3,500 \text{ psi}$   
 $f_y = 60,000 \text{ psi}$



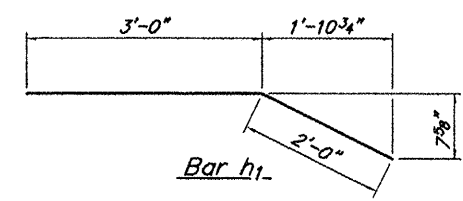
BERM DETAIL



Bar u



Bar s



Bar h1

ABUTMENT  
FAU ROUTE 9901 (KRATZINGER HOLLOW RD)  
GREEN CREEK  
SECTION 06-01186-00-BR  
UNION COUNTY  
STRUCTURE NO. 091-3229