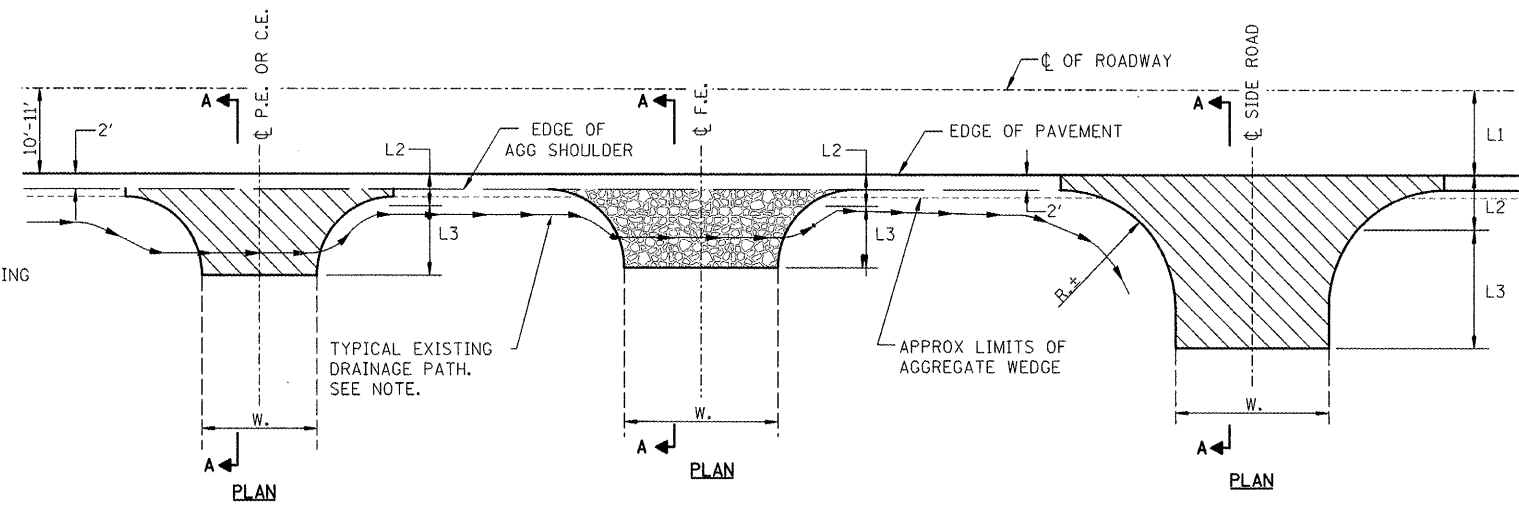
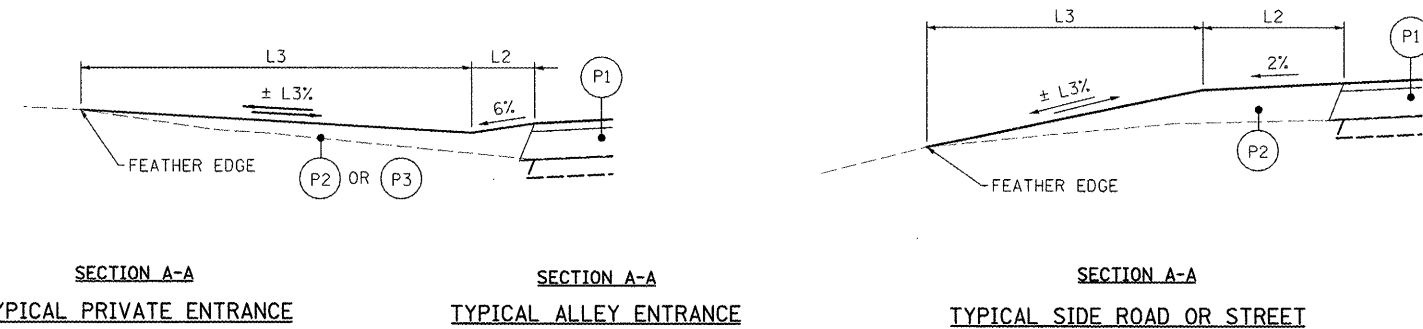


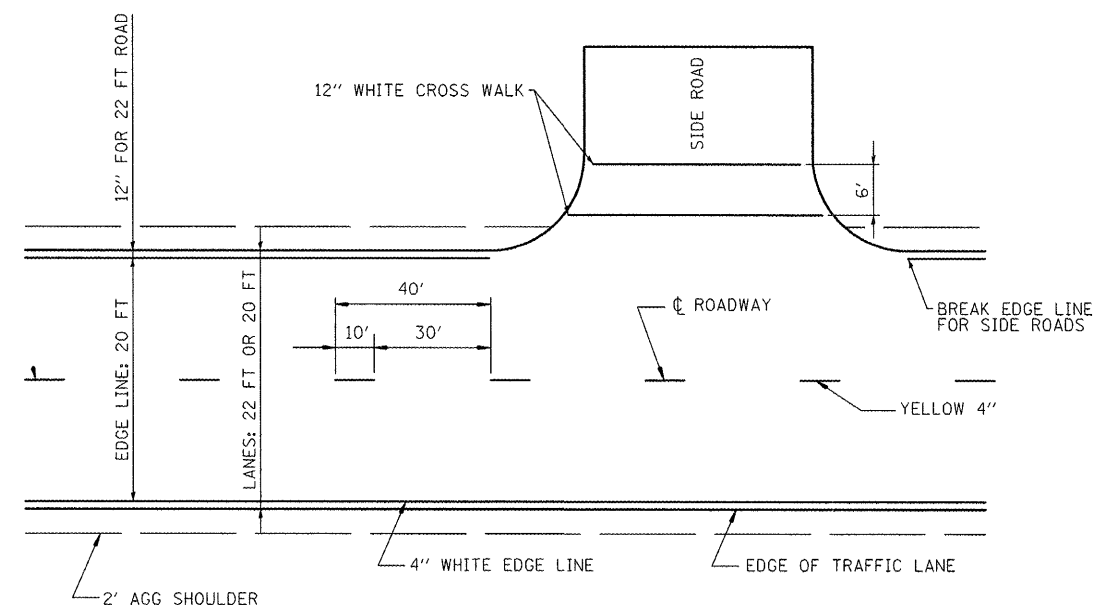
- (P1) HMA RESURFACING
- (P2) INCIDENTAL HOT-MIX ASPHALT SURFACING
- (P3) AGGREGATE SURFACE COURSE



NOTE: MANY ENTRANCES CARRY WATER OVER THE PAVEMENT. FIELD ADJUSTMENTS MAY BE NEEDED TO THE PROPOSED GRADES AFTER SHOULDERS HAVE BEEN PLACED AND FINAL DRAINAGE PATHS ARE DETERMINED.



**ENTRANCE AND SIDE ROAD DETAILS**



**TYPICAL PAINT CENTERLINE MARKING AND PAINT EDGELINE MARKING**

FILE NAME = H:\S149\C\_Details\_6305.dgn  
 USER NAME = .USERDESCR.  
 PLOT SCALE = 5.0000" / IN.  
 PLOT DATE = 9/29/2009

DESIGNED - DLD  
 DRAWN - KOJ  
 CHECKED -  
 DATE -

REVISED -  
 REVISED -  
 REVISED -  
 REVISED -

**STATE OF ILLINOIS  
 DEPARTMENT OF TRANSPORTATION**

**DETAILS**

SCALE: SHEET NO. OF SHEETS STA. TO STA.

F.A.U. RTE. VAR	SECTION 09-00028-00-R5	COUNTY PERRY	TOTAL SHEETS 12	SHEET NO. 12
CONTRACT NO. 99386				ILLINOIS FED. AID PROJECT ARA-5084 (003)