

STATE OF ILLINOIS  
DEPARTMENT OF TRANSPORTATION  
DIVISION OF HIGHWAYS

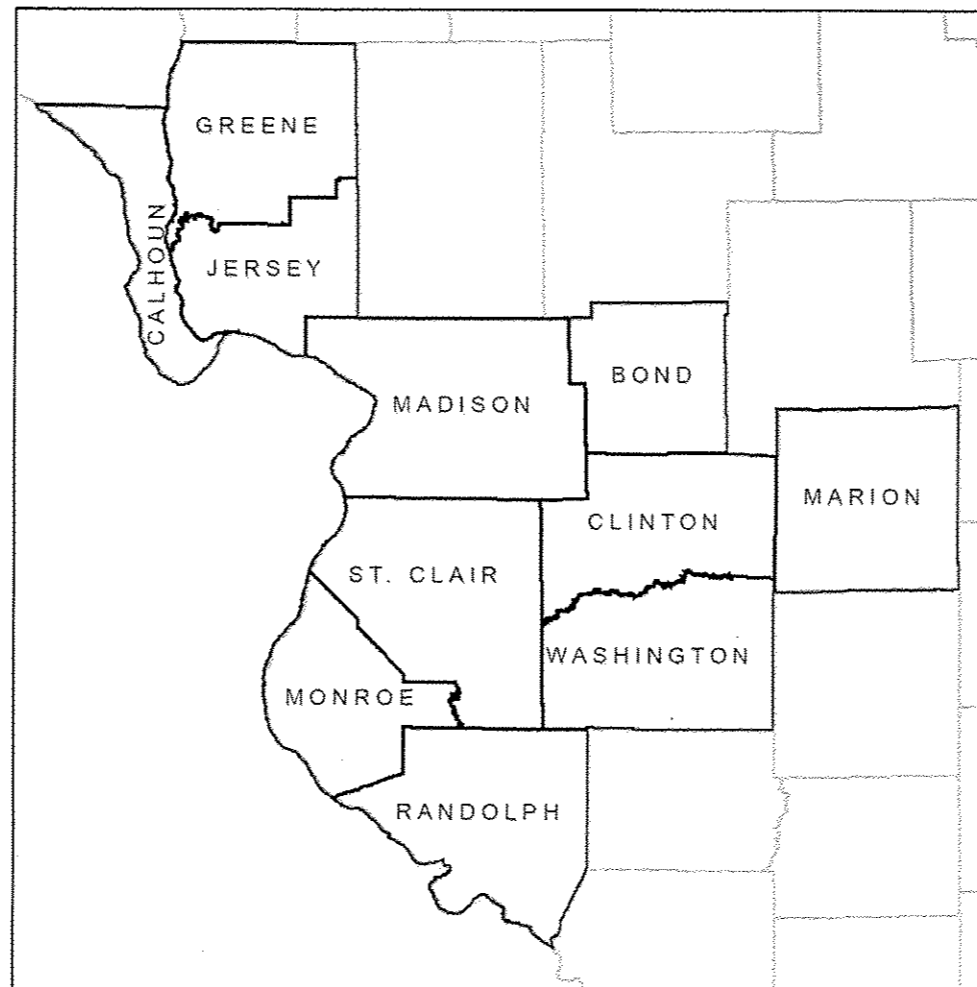
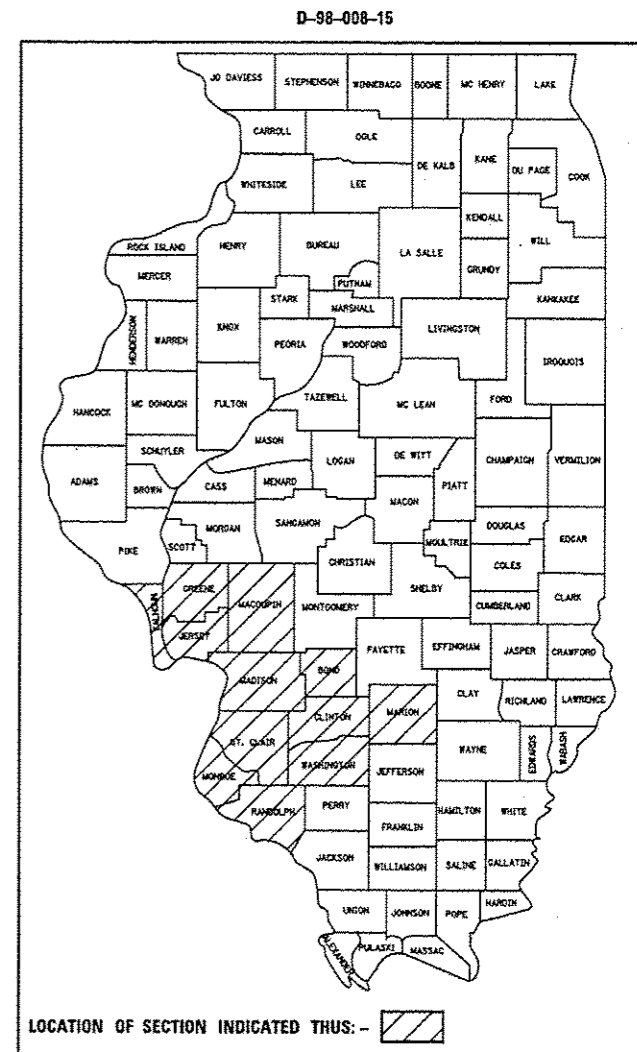
F.A. RTE.	SECTION	COUNTY	TOTAL SHEETS	SHEET NO.
VARIOUS	DIST 8 GUARDRAIL 2016-1	VARIOUS	12	1
		ILLINOIS	CONTRACT NO. 76H52	

FOR INDEX OF SHEETS, SEE SHEET NO. 2

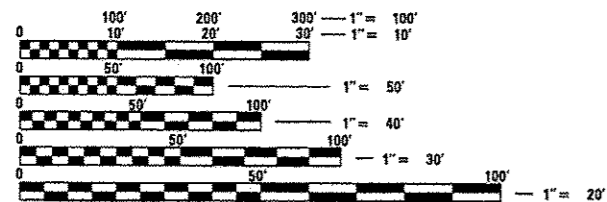
**PROPOSED  
HIGHWAY PLANS**

VARIOUS ROUTES  
SECTION DIST 8 GUARDRAIL 2016-1  
SAFETY ITEM REPAIR  
VARIOUS COUNTIES

C-98-005-15



NOT TO SCALE



FULL SIZE PLANS HAVE BEEN PREPARED USING STANDARD ENGINEERING SCALES. REDUCED SIZED PLANS WILL NOT CONFORM TO STANDARD SCALES. IN MAKING MEASUREMENTS ON REDUCED PLANS, THE ABOVE SCALES MAY BE USED.

J.U.L.I.E.  
JOINT UTILITY LOCATION INFORMATION FOR EXCAVATION  
1-800-892-0123  
OR 811

PROJECT ENGINEER: PATTI LOBEAU 618-346-3179  
PROJECT DESIGNER: KAREN CHALLANDES 618-346-3329

CONTRACT NO. 76H52

STATE OF ILLINOIS  
DEPARTMENT OF TRANSPORTATION  
DIVISION OF HIGHWAYS

SUBMITTED *March 23, 2015*

*Jeffrey Z. K...*  
DEPUTY DIRECTOR OF HIGHWAYS, REGION 5 ENGINEER

*May 8, 2015*  
*David D. Baranzelli, P.E.*  
ENGINEER OF DESIGN AND ENVIRONMENT

*May 8, 2015*  
*Omer Osman, P.E.*  
DIRECTOR OF HIGHWAYS, CHIEF ENGINEER

PRINTED BY THE AUTHORITY  
OF THE STATE OF ILLINOIS

GENERAL NOTES

1. BEFORE ORDERING THE IMPACT ATTENUATORS, THE CONTRACTOR MUST CONTACT THE OPERATIONS FIELD ENGINEER AT (618) 346-3279 OR (618) 346-3233 TO RECEIVE APPROVAL OF THE PROPOSED INSTALLATION.
2. ALL WORK IS TO BE REPLACED IN KIND OR AS INDICATED ON THE CONTRACT PLANS AND PROVISIONS.
3. THE LOCATIONS OF THE REPAIR AREAS SHALL BE DETERMINED BY THE ENGINEER.
4. GUARDRAIL WORK WILL INCLUDE ALIGNMENT AS NECESSARY TO RESTORE THE RAIL AND POST TO THE ORIGINAL CONDITIONS.
5. NO MATERIAL SHALL BE LEFT ON OR NEAR THE ROADWAY DURING NON-WORKING HOURS.
6. ANY NECESSARY TRAFFIC CONTROL WILL BE PROVIDED BY THE CONTRACTOR; APPROPRIATE STANDARDS ARE LISTED IN THE PLANS AND CONTRACT DOCUMENTS.
7. THE LIMITS OF THE DAMAGED GUARDRAIL WILL BE MARKED WITH PAINT. THE REPLACEMENT PARTS AND THE QUANTITIES INDICATED ARE WITHIN THESE LIMITS AS MARKED.
8. GUARDRAIL MARKERS SHALL NOT BE ATTACHED TO TERMINAL SECTIONS. ALL OTHER MARKERS SHALL BE PLACED AT THE DISCRETION OF THE ENGINEER. COST OF MARKERS TO BE INCLUDED IN THE GUARDRAIL PAY ITEMS.
9. ILLINOIS STATE LAW REQUIRES A 48-HOUR NOTICE TO BE GIVEN TO UTILITIES BEFORE DIGGING. FIELD MARKING OF FACILITIES MAY BE OBTAINED BY CONTACTING J.U.L.I.E. (PHONE: 800-892-0123) OR FOR NON-MEMBER, THE UTILITY COMPANY DIRECTLY.
10. WHEN NO WORK IS BEING PERFORMED, THE FLAGGERS WILL NOT BE REQUIRED. IF THE FLAGGERS ARE NOT PRESENT, THE FLAGGER SIGNS SHALL BE REMOVED OR COVERED.
11. PRIOR TO ORDERING ANY MATERIALS, THE CONTRACTOR SHALL CONFIRM THE TYPES AND SPECIFIC MANUFACTURER FOR THE GUARDRAIL AND CABLE REPAIRS REQUIRED.
12. 45 AND 55 MPH SIGNS ARE INCLUDED IN ALL INTERSTATE LANE CLOSURES. IF THE LANE CLOSURE DURATION IS LESS THAN 4 HOURS, THE 45 AND 55 MPH SIGNS ARE NOT REQUIRED.
13. ANY WORK ORDER MAY BE CANCELED AT THE ENGINEER'S DISCRETION.
14. CORTEN ITEMS SHALL BE PAID FOR THE SAME AS REGULAR ITEMS.
15. NO OVERNIGHT LANE CLOSURES WILL BE ALLOWED.
16. ARTICLE 701.20 OF THE STANDARD SPECIFICATIONS DISCUSSES AN ADJUSTED UNIT PRICE. NO ADJUSTMENTS SHALL BE MADE TO THE TRAFFIC CONTROL PAY ITEMS FOR THIS CONTRACT.
17. THE CONTRACTOR SHALL BE ADVISED THAT THE GUARDRAIL PAY ITEMS INCLUDED IN THE PLANS MAY BE USED TO REPLACE/REPAIR SPBGR AND TRAFFIC BARRIER TERMINALS FOR EITHER THE CURRENT MIDWEST STYLES AS SHOWN IN THE HIGHWAY STANDARDS OR SPBGR AND TRAFFIC BARRIER TERMINALS INSTALLED PRIOR TO JANUARY 1, 2007 AS SHOWN IN THE PLAN DETAILS. NO ADDITIONAL COMPENSATION WILL BE ALLOWED FOR UTILIZING THE CURRENT MIDWEST STANDARDS.
18. THE DEPARTMENT STRONGLY ENCOURAGES THE PRIME CONTRACTOR AND THEIR APPROVED SUB-CONTRACTORS TO HIRE MINORITY, WOMEN AND DISADVANTAGED INDIVIDUALS FROM ITS FEDERALLY FUNDED HIGHWAY CONSTRUCTION CAREERS TRAINING PROGRAM (HCCTP) TO HELP MEET WORKFORCE AND TRAINEE GOALS. THIS PROGRAM IS TRAINING MINORITIES, WOMEN AND DISADVANTAGED INDIVIDUALS IN HIGHWAY CONSTRUCTION-RELATED SKILLS, E.G., MATH FOR THE TRADES, JOB READINESS, TECHNICAL SKILLS COURSEWORK (CARPENTRY, CONCRETE FLATWORK, BLUEPRINT READING, SITE PLANS, SITE WORK, TOOLS USE, ETC.) AND OSHA 10 HOUR CERTIFICATION, TO PREPARE THEM FOR A CAREER IN THE HIGHWAY CONSTRUCTION TRADES. GRADUATES ARE WELL-TRAINED AND READY TO BECOME PRODUCTIVE ENTRY-LEVEL CONSTRUCTION WORKERS. CONTACT THE DISTRICT EEO OFFICE AT 618-346-3360 AND/OR THE HCCTP COORDINATOR AT 618-874-6528 TO LEARN MORE ABOUT THE PROGRAM AND FOR ASSISTANCE IN MEETING WORKFORCE AND TRAINEE GOALS.

INDEX OF SHEETS

1. COVER SHEET
2. GENERAL NOTES, INDEX OF SHEETS STANDARDS, AND COMMITMENTS
- 3.-5. SUMMARY OF QUANTITIES
6. HIGH TENSION CABLE LOCATION MAP
- 7.-12. GUARDRAIL DETAILS

COMMITMENTS  
NONE

STANDARDS

000001-06	701106-02
630001-10	701201-04
630101-09	701301-04
630301-06	701400-08
631006-08	701406-09
631011-09	701421-07
631026-06	701428
631031-13	701456-03
635001-01	701501-06
635006-03	701502-06
636001-02	701601-09
701001-02	701602-07
701006-05	701606-10
701011-04	701701-09
701101-04	701901-04

FILE NAME =	USER NAME = ehallendako	DESIGNED -	REVISED -	<b>STATE OF ILLINOIS DEPARTMENT OF TRANSPORTATION</b>	<b>GENERAL NOTES, INDEX OF SHEETS STANDARDS, AND COMMITMENTS</b>	F.A. RTE.	SECTION	COUNTY	TOTAL SHEETS	SHEET NO.
a:\pwork\pvidst\ehallendako\08487335	76H52-gnnota.dgn	DRAWN -	REVISED -			VARIOUS	DIST 8 GUARDRAIL 2016-1	VARIOUS	12	2
	PLOT SCALE = 100.0000' / 1" =	CHECKED -	REVISED -			CONTRACT NO. 76H52				
#MODELNAME4	PLOT DATE = 3/18/2015	DATE -	REVISED -			SCALE: NONE	SHEET OF SHEETS	STA. TO STA.	ILLINOIS FED. AID PROJECT	

CODE NO.	ITEM	UNIT	TOTAL QUANTITY	CONSTRUCTION CODE		
				07EO	07MO	07AO
				CONT. MAINT. 0021	MCHDF 0021	HTMCB 0021
63000350	LONG-SPAN GUARDRAIL OVER CULVERT, 12 FT 6 IN SPAN	FOOT	162.5	162.5		
63100041	TRAFFIC BARRIER TERMINAL, TYPE 1B	EACH	2		2	
63100045	TRAFFIC BARRIER TERMINAL, TYPE 2	EACH	7	4	3	
63100070	TRAFFIC BARRIER TERMINAL, TYPE 5	EACH	5	4	1	
63100085	TRAFFIC BARRIER TERMINAL, TYPE 6	EACH	9	8	1	
63100167	TRAFFIC BARRIER TERMINAL, TYPE 1 (SPECIAL) TANGENT	EACH	83	65	18	
63100169	TRAFFIC BARRIER TERMINAL, TYPE 1 (SPECIAL) FLARED	EACH	25	5	20	
64300260	IMPACT ATTENUATORS (FULLY REDIRECTIVE, NARROW), TEST LEVEL 3	EACH	5	3	2	
64300370	IMPACT ATTENUATORS (FULLY REDIRECTIVE, WIDE), TEST LEVEL 3	EACH	5	3	2	
67100100	MOBILIZATION	L SUM	1	0.33	0.34	0.33
X0325972	CABLE GUARD POST	EACH	340			340
X0326466	HIGH TENSION CABLE POST REPAIR	EACH	80			80
X0326468	MEDIAN CABLE	FOOT	300			300
X6300210	GUARDRAIL BLOCKS	EACH	785	400	385	

FILE NAME =	USER NAME = ohallendaka	DESIGNED -	REVISED -	<b>STATE OF ILLINOIS DEPARTMENT OF TRANSPORTATION</b>	<b>SUMMARY OF QUANTITIES</b>				F.A. RTE.	SECTION	COUNTY	TOTAL SHEETS	SHEET NO.
ac:\p\work\p\dos\ohallendaka\d0407335	76H52-SDD.dgn	DRAWN -	REVISED -						VARIOUS	DIST 8 GUARDRAIL 2016-1	VARIOUS	12	3
MODELNAME	PLOT SCALE = 100.0000' / 1"	CHECKED -	REVISED -		SCALE: NONE	SHEET	OF	SHEETS	STA.	TO STA.	CONTRACT NO. 76H52		
	PLOT DATE = 3/19/2015	DATE -	REVISED -		ILLINOIS FED. AID PROJECT								

CODE NO.	ITEM	UNIT	TOTAL QUANTITY	CONSTRUCTION CODE		
				CONT. MAINT. 0021	MCHDF 0021	HTMCB 0021
X6300215	RAIL ELEMENT PLATES	EACH	510	200	310	
X6300217	RAIL ELEMENT PLATES (RADIUS)	EACH	50	25	25	
X6300220	EXTRUDER HEAD	EACH	15	10	5	
X6300225	SINGLE END SECTION	EACH	3	2	1	
X6300231	STEEL POST, ATTACHED TO STRUCTURES	EACH	7	3	4	
X6300236	STEEL POSTS 6'	EACH	625	300	325	
X6300239	STEEL POSTS 9'	EACH	250	100	150	
X6331110	STEEL POSTS, SPECIAL	EACH	12	10	2	
X6430210	REMOVE AND REINSTALL IMPACT ATTENUATORS	EACH	85	20	65	
X7010410	SPEED DISPLAY TRAILER	CAL MO	1	1		
X7011834	TRAFFIC CONTROL AND PROTECTION, CALL OUT WORK	EACH	296	176	120	
X7011836	TRAFFIC CONTROL AND PROTECTION, FREEWAY/EXPRESSWAY, CALL OUT WORK	EACH	275	75	100	100
* X8030110	LOCATING UNDERGROUND CABLE, SPECIAL	EACH	7	5	2	
Z0029655	HIGH TENSION CABLE ROAD GUARDPOST	EACH	825			825

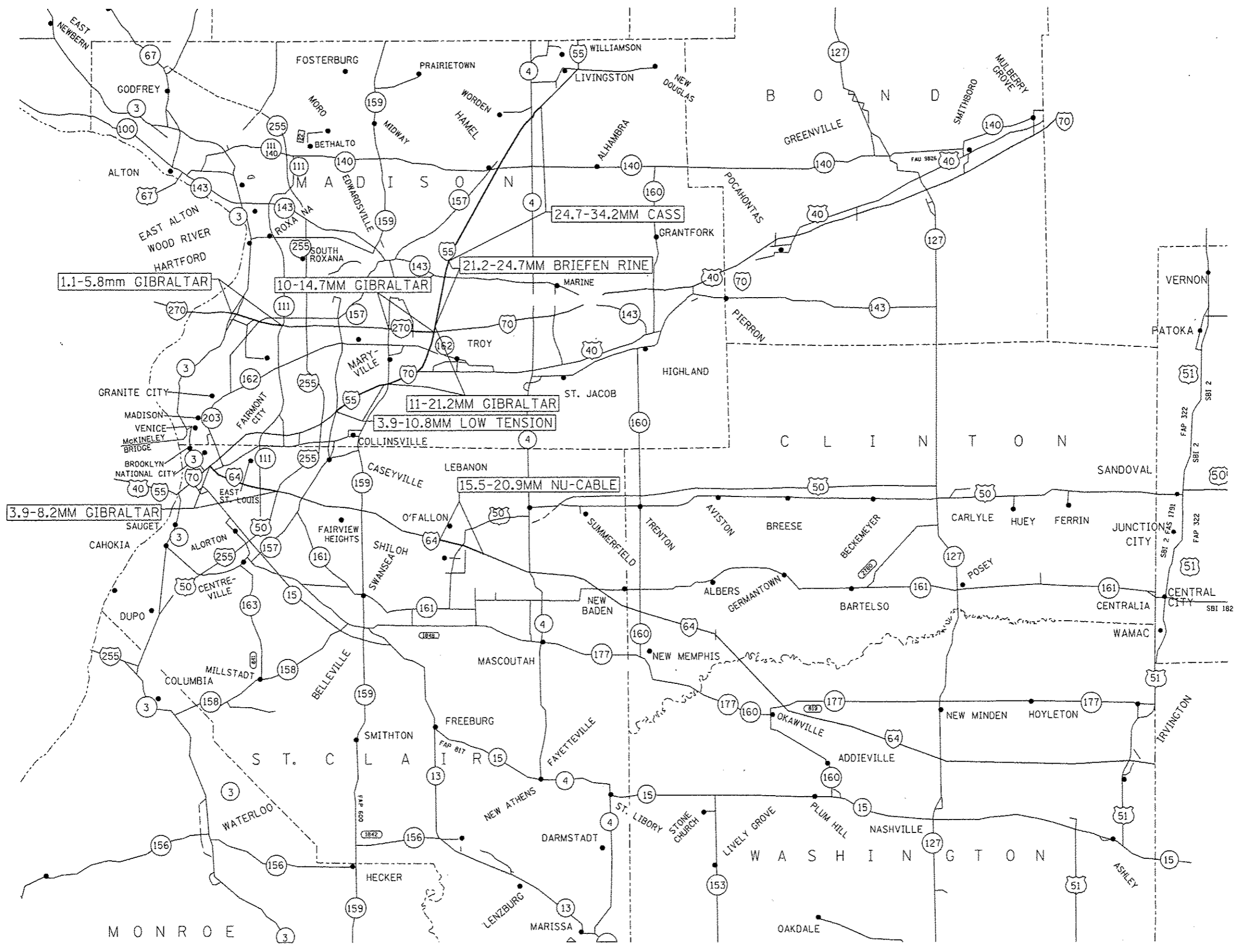
\* SPECIALTY ITEM

REV.

FILE NAME :	USER NAME :	DESIGNED :	REVISED :	<b>STATE OF ILLINOIS DEPARTMENT OF TRANSPORTATION</b>	<b>SUMMARY OF QUANTITIES</b>				P.A. RTE.	SECTION	COUNTY	TOTAL SHEETS	SHEET NO.
en:\pvc\work\psidot\challandeka\d0407335	76H52-500.dgn	DRAWN :	REVISED :						VARIOUS	DIST B GUARDRAIL 2016-1	VARIOUS	12	4
#MODELNAME#	PLOT SCALE :	CHECKED :	REVISED :		SCALE: NONE	SHEET	OF	SHEETS	STA.	TD STA.	CONTRACT NO. 76H52		
	PLOT DATE :	DATE :	REVISED :		ILLINOIS FED. AID PROJECT								

CODE NO.	ITEM	UNIT	TOTAL QUANTITY	CONSTRUCTION CODE		
				CONT. MAINT. 0021	MCHDF 0021	HTMCB 0021
Z0029657	HIGH TENSION CABLE SYSTEM MAINTENANCE	EACH	35			35
Z0029658	REPAIR TRAFFIC BARRIER TERMINAL TYPE 1 SPECIAL - POST	EACH	79	14	65	
Z0029662	REPLACE HIGH TENSION CABLE GUARPOST FOUNDATION	EACH	9			9
Z0052410	REPAIR TRAFFIC BARRIER TERMINAL, TYPE 1 SPECIAL (TANGENT)	EACH	84	44	40	
Z0052415	REPAIR TRAFFIC BARRIER TERMINAL, TYPE 1 SPECIAL (FLARED)	EACH	12	10	2	
Z0052600	REPAIR TRAFFIC BARRIER TERMINAL, TYPE 2	EACH	9	5	4	
Z0052800	REPAIR TRAFFIC BARRIER TERMINAL, TYPE 3A	EACH	7	5	2	
Z0053000	REPAIR TRAFFIC BARRIER TERMINAL, TYPE 5	EACH	4	2	2	
Z0053200	REPAIR TRAFFIC BARRIER TERMINAL, TYPE 6	EACH	7	5	2	
Z0059660	REPAIR TRAFFIC BARRIER TERMINAL TYPE 1 SPECIAL - RAIL ELEMENT PLATE	EACH	27	7	20	

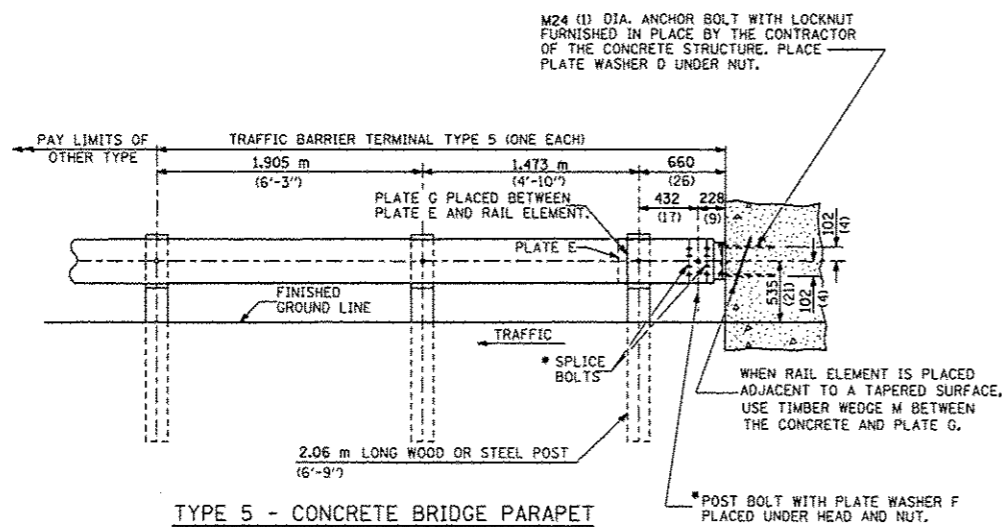
10



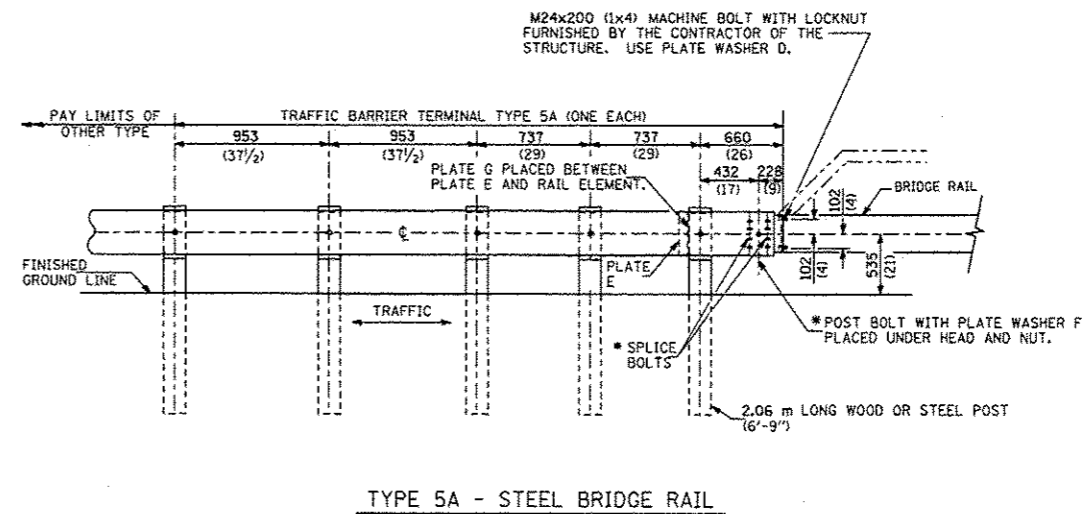
FOR INFORMATION ONLY.  
 CONTRACTOR SHALL CONFIRM  
 SYSTEM TYPE PRIOR TO  
 ORDERING MATERIALS.

FILE NAME =	USER NAME = ohallandeske	DESIGNED -	REVISED -	<b>STATE OF ILLINOIS DEPARTMENT OF TRANSPORTATION</b>	<b>HIGH TENSION CABLE LOCATION MAP</b>			F.A. RTE.	SECTION	COUNTY	TOTAL SHEETS	SHEET NO.			
c:\pwwork\pwwork\ohallandeske\d0487335	76H52-locmap.dgn	DRAWN -	REVISED -		SCALE: NONE	SHEET	OF	SHEETS	STA.	TO	STA.	VARIOUS DIST 8 GUARDRAIL 2016-1	VARIOUS	12	6
#MODELNAME*	PLOT SCALE = 100.0000' / 1"	CHECKED -	REVISED -												
	PLOT DATE = 3/18/2015	DATE -	REVISED -												

ILLINOIS FED. AID PROJECT



TYPE 5 - CONCRETE BRIDGE PARAPET



TYPE 5A - STEEL BRIDGE RAIL

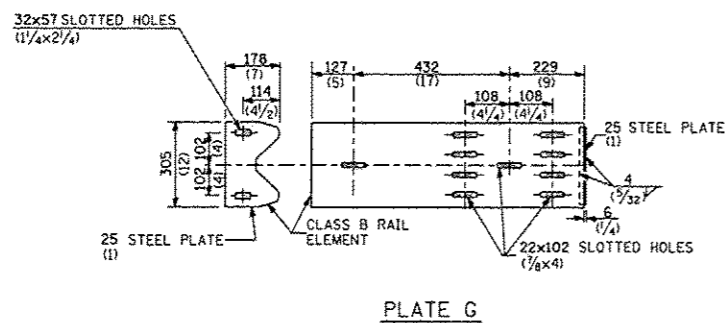


PLATE G

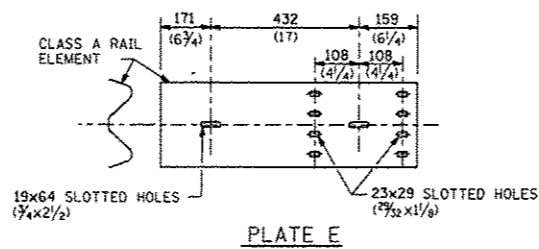
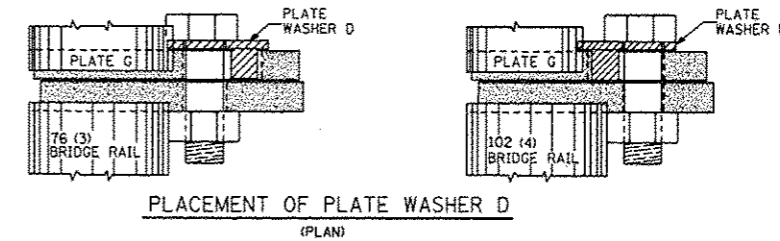


PLATE E



PLACEMENT OF PLATE WASHER D (PLAN)

GENERAL NOTES

INSTALL PLATE WASHER D SO THAT THE 25 mm (1") PROJECTION FILLS THE REMAINDER OF THE SLOTTED HOLES IN THE 25 mm (1") END PLATE ON PLATE G AFTER THE M24 (1") DIA. BOLTS ARE IN PLACE.

\* BOLTS SHALL BE PROVIDED WITH LOCKNUT OR DOUBLE NUT AND SHALL BE TIGHTENED ONLY TO A POINT THAT WILL ALLOW PLATE G TO BE FREE TO MOVE WHEN AN EXPANSION JOINT EXISTS BELOW THE CONNECTOR.

ALL DIMENSIONS ARE IN MILLIMETERS (INCHES) UNLESS OTHERWISE SHOWN.

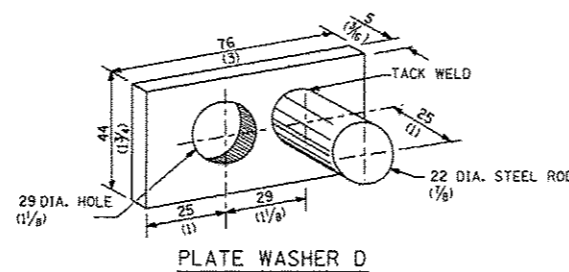
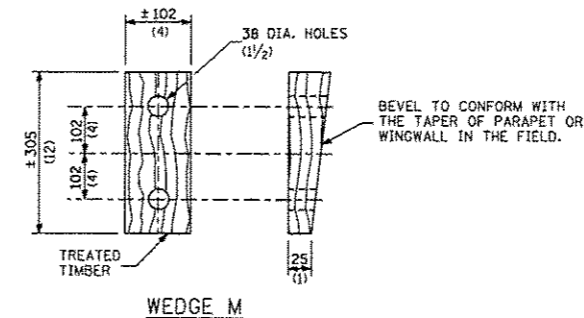


PLATE WASHER D

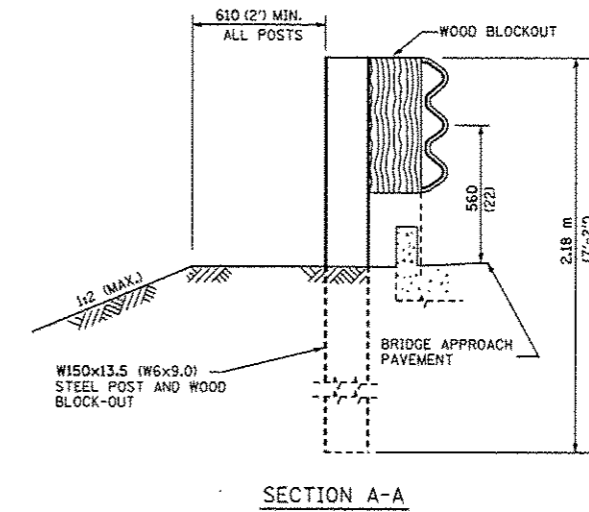
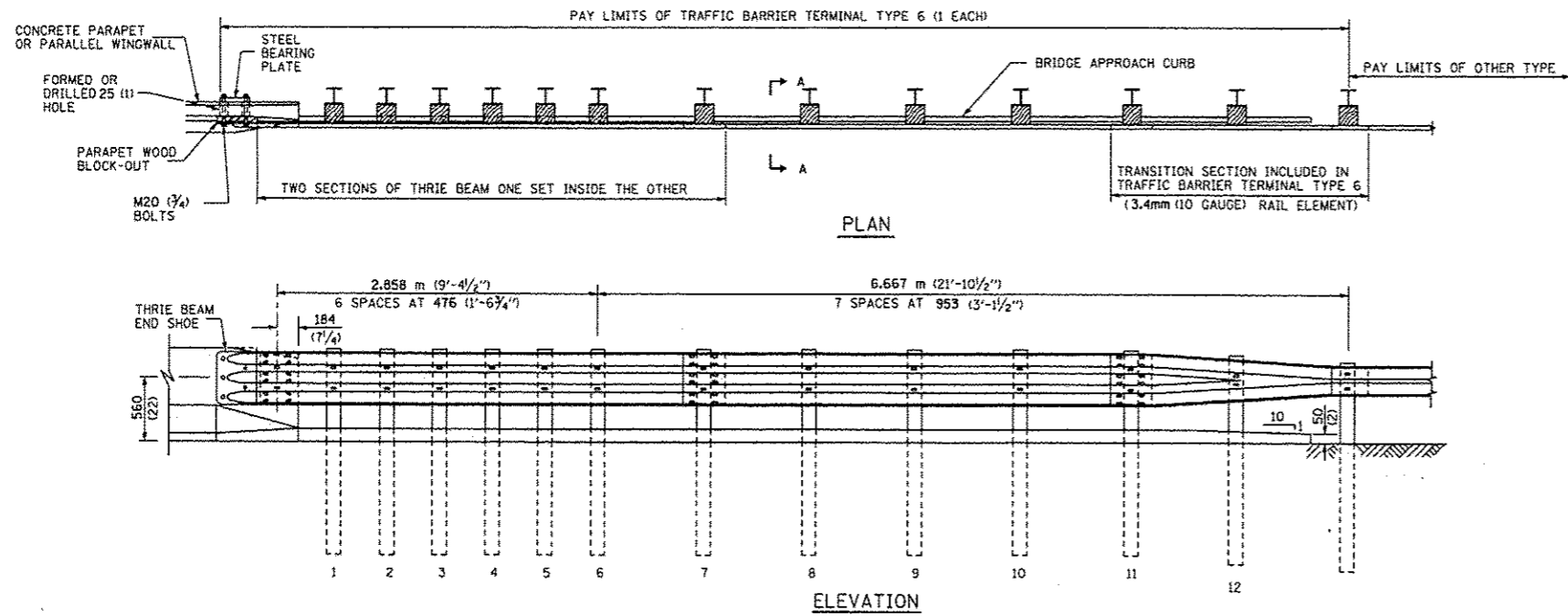


WEDGE M

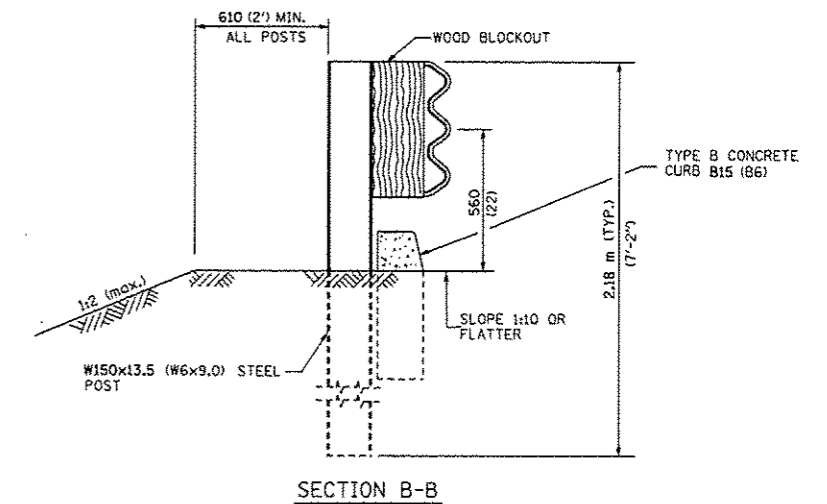
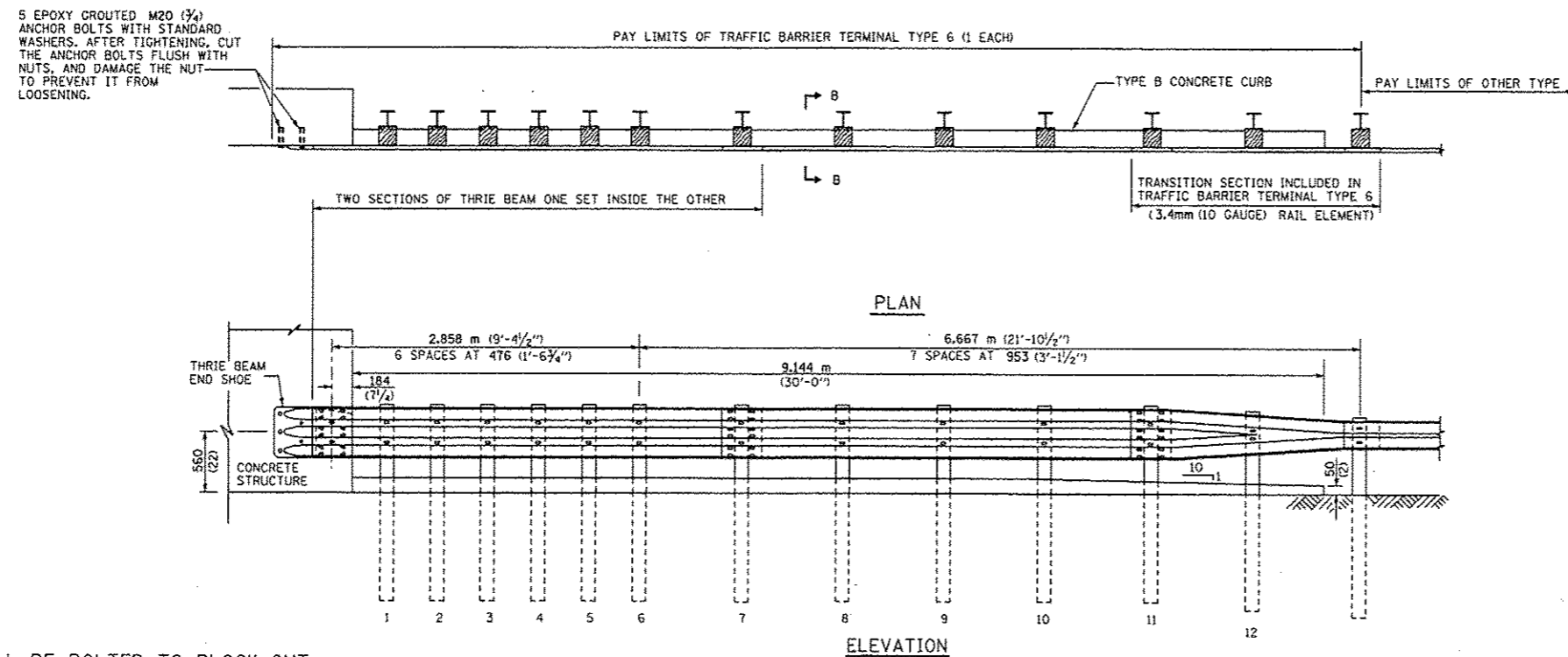
THIS DETAIL IS APPLICABLE TO THE GUARDRAIL SYSTEM USED PRIOR TO JANUARY 1, 2007. FOR DETAILS ON THE MIDWEST GUARDRAIL SYSTEM, SEE STANDARD 630001.

FILE NAME =	USER NAME = challandeska	DESIGNED -	REVISED -	<b>STATE OF ILLINOIS DEPARTMENT OF TRANSPORTATION</b>	<b>TRAFFIC BARRIER TERMINAL TYPE 5 &amp; 5A</b>			F.A. RTE.	SECTION	COUNTY	TOTAL SHEETS	SHEET NO.		
c:\pwork\p\p\dot\challandeska\10407335	76HS2-detail.dgn	DRAWN -	REVISED -					VARIOUS	DIST 8 GUARDRAIL 2016-1	VARIOUS	12	7		
	PLOT SCALE = 100.0000 / in.	CHECKED -	REVISED -					CONTRACT NO. 76HS2						
#MODELNAME#	PLOT DATE = 3/18/2015	DATE -	REVISED -					SCALE: NONE	SHEET 1	OF 1 SHEETS	STA.	TO STA.	ILLINOIS FED. AID PROJECT	

PARAPET OR WINGWALL



OTHER CONCRETE STRUCTURE



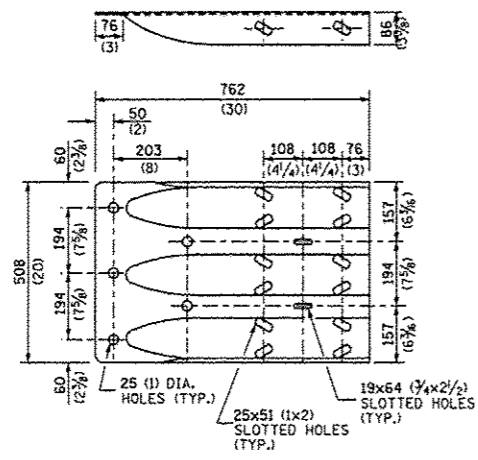
GENERAL NOTES

THRIE BEAM RAIL SHALL BE BOLTED TO BLOCK-OUT AT ALL POSTS.  
 ALL SLOPE RATIOS ARE EXPRESSED AS UNITS OF VERTICAL DISPLACEMENT TO UNITS OF HORIZONTAL DISPLACEMENT (V:H).  
 ALL DIMENSIONS ARE IN MILLIMETERS (INCHES) UNLESS OTHERWISE SHOWN.

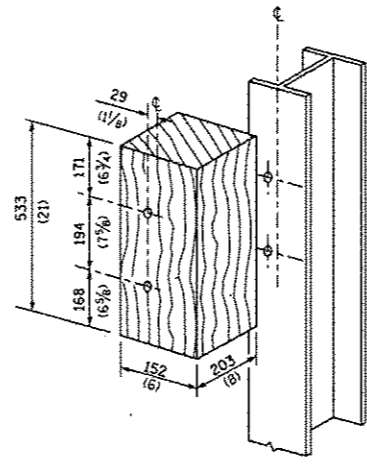
THIS DETAIL IS APPLICABLE TO THE GUARDRAIL SYSTEM USED PRIOR TO JANUARY 1, 2007. FOR DETAILS ON THE MIDWEST GUARDRAIL SYSTEM, SEE STANDARD 630001.

FILE NAME =	USER NAME = challandeska	DESIGNED -	REVISED -	<b>STATE OF ILLINOIS DEPARTMENT OF TRANSPORTATION</b>	<b>TRAFFIC BARRIER TERMINAL TYPE 6</b>	F.A. RTE.	SECTION	COUNTY	TOTAL SHEETS	SHEET NO.	
ar:\pv_work\pvidot\challandeska\d487335\76H52-detail.dgn	76H52-detail.dgn	DRAWN -	REVISED -			VARIOUS	DIST 8 GUARDRAIL 2016-1	VARIOUS	12	8	
MODELNAME =	PLOT SCALE = 100.0000 / in.	CHECKED -	REVISED -			CONTRACT NO. 76H52					
	PLOT DATE = 3/18/2015	DATE -	REVISED -			SCALE: NONE	SHEET 1 OF 2 SHEETS	STA. TO STA.	ILLINOIS FED. AID PROJECT		

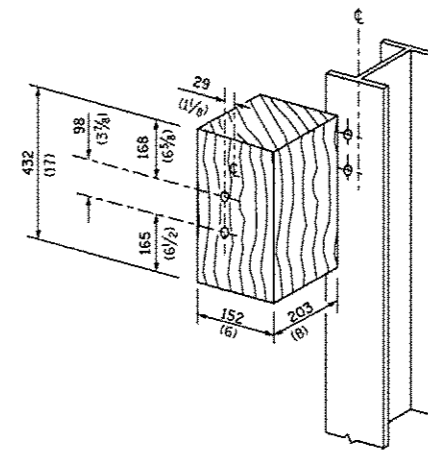




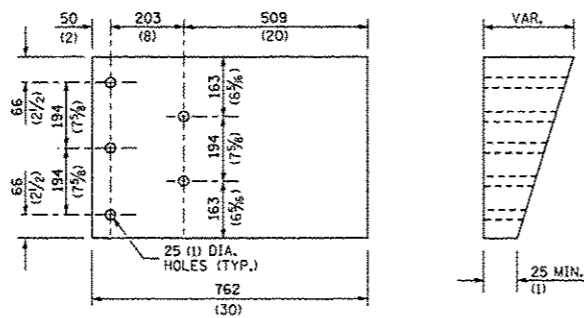
THRIE BEAM END SHOE DETAIL



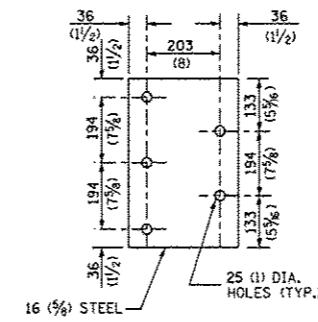
POSTS 1-11 WOOD BLOCKOUT DETAIL



POST 12 WOOD BLOCKOUT DETAIL



PARAPET WOOD BLOCK-OUT DETAIL



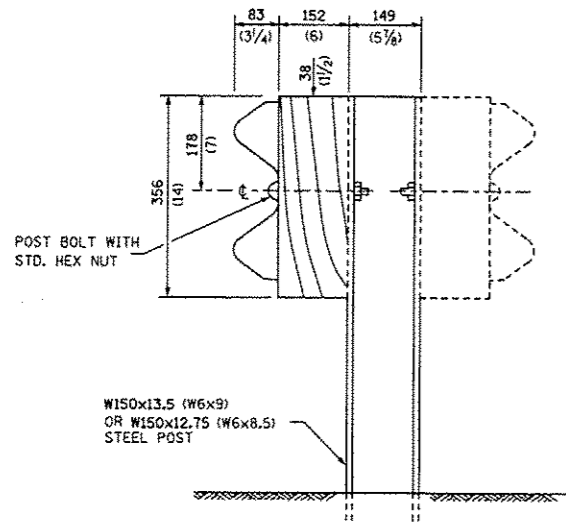
PARAPET STEEL BEARING PLATE DETAIL

(5 EACH INDIVIDUAL 125x125x16 (5x5x3/4) STEEL PLATES WITH CENTERED 25 (1) HOLES MAY BE SUBSTITUTED FOR THE PLATE SHOWN.)

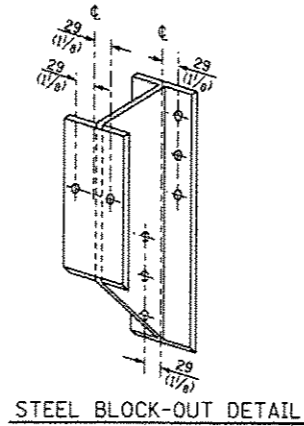
THIS DETAIL IS APPLICABLE TO THE GUARDRAIL SYSTEM USED PRIOR TO JANUARY 1, 2007. FOR DETAILS ON THE MIDWEST GUARDRAIL SYSTEM, SEE STANDARD 630001.

FILE NAME =	USER NAME = chellandeska	DESIGNED -	REVISED -	<b>STATE OF ILLINOIS DEPARTMENT OF TRANSPORTATION</b>	<b>TRAFFIC BARRIER TERMINAL, TYPE 6</b>		F.A. RTE.	SECTION	COUNTY	TOTAL SHEETS	SHEET NO.
c:\pwwork\pvsdot\chellandeska\d8487335	76H52-detail.dgn	DRAWN -	REVISED -		VARIOUS	DIST 8 GUARDRAIL 2016-1	VARIOUS	12	9		
	PLOT SCALE = 100.0000 / in.	CHECKED -	REVISED -		SCALE: NONE			SHEET 2 OF 2 SHEETS		STA. TO STA.	
#MODELNAME#	PLOT DATE = 3/18/2015	DATE -	REVISED -		CONTRACT NO. 76H52 ILLINOIS FED. AID PROJECT						

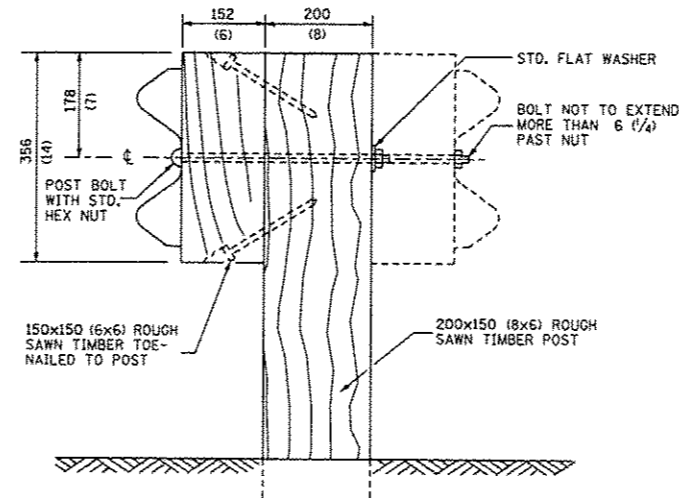




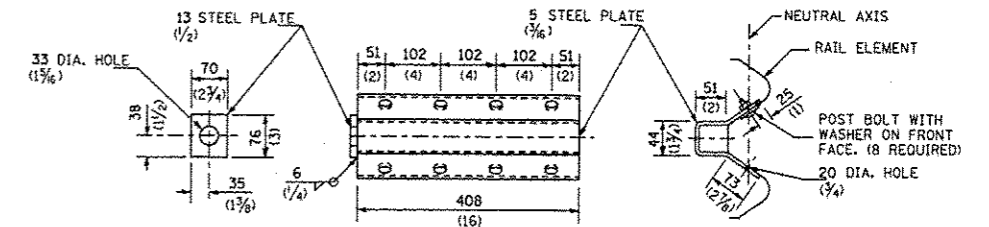
STEEL POST CONSTRUCTION



STEEL BLOCK-OUT DETAIL

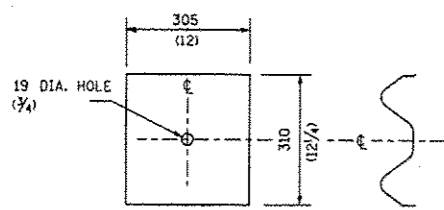


WOOD POST CONSTRUCTION



NOTE  
ANCHOR PLATE T SHALL BE USED TO ATTACH CABLE ASSEMBLY TO GUARDRAIL WHEN REQUIRED ON TRAFFIC BARRIER TERMINALS.

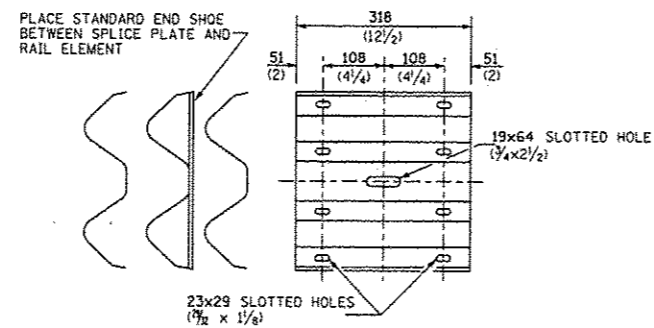
ANCHOR PLATE T DETAILS



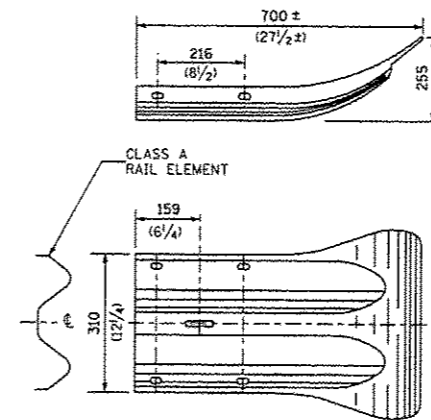
NOTE

PLATE A SHALL BE PLACED BETWEEN RAIL ELEMENT AND BLOCK-OUT AT NON-SPLICE MOUNTING POINTS ONLY WHEN STEEL BLOCK-OUTS ARE USED.

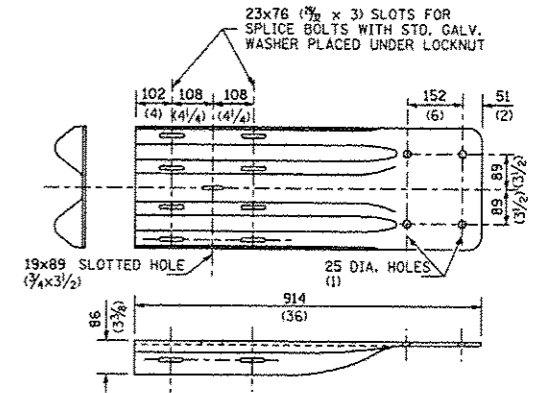
PLATE A



SPLICE PLATE



END SECTION



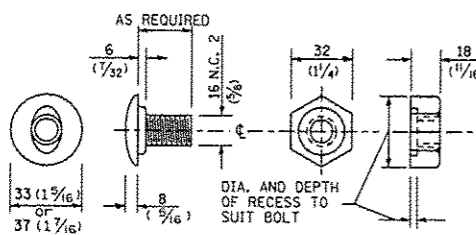
NOTE

WHEN END SHOE IS ATTACHED TO A BRIDGE PARAPET WHICH HAS AN EXPANSION JOINT, THE BOLTS SHALL BE PROVIDED WITH A LOCKNUT OR DOUBLE NUT AND SHALL BE TIGHTENED ONLY TO A POINT THAT WILL ALLOW GUARDRAIL MOVEMENT.

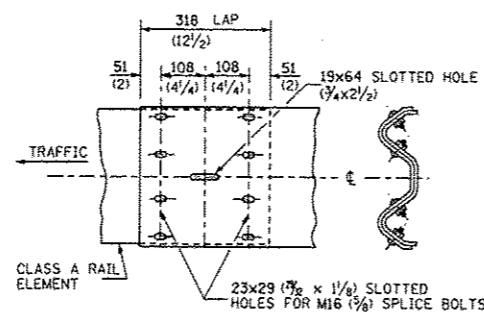
THE STANDARD END SHOE SHALL BE ATTACHED TO THE CONCRETE WITH PRE-DRILLED OR SELF-DRILLING ANCHOR BOLTS. THE ANCHOR CONE SHALL BE SET FLUSH WITH THE SURFACE OF THE CONCRETE.

EXTERNALLY THREADED STUDS PROTRUDING FROM THE SURFACE OF THE CONCRETE WILL NOT BE PERMITTED.

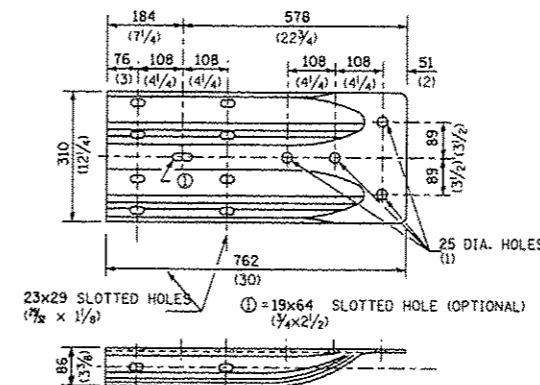
END SHOE



POST OR SPLICE BOLT & NUT



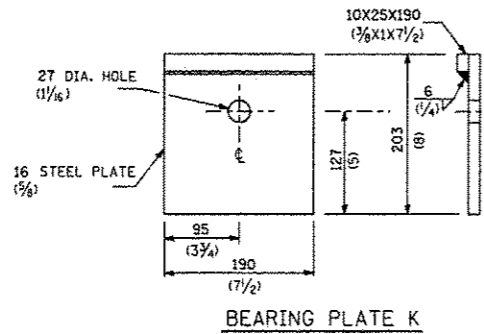
RAIL ELEMENT SPLICE



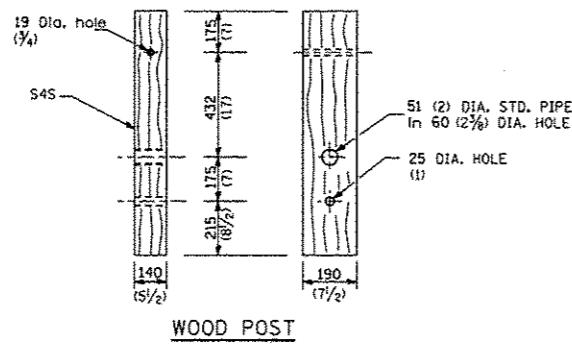
ALTERNATE END SHOE

THIS DETAIL IS APPLICABLE TO THE GUARDRAIL SYSTEM USED PRIOR TO JANUARY 1, 2007. FOR DETAILS ON THE MIDWEST GUARDRAIL SYSTEM, SEE STANDARD 630001.

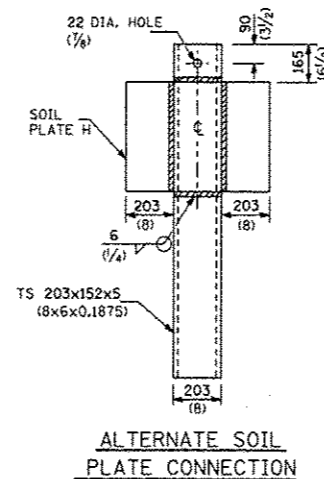
FILE NAME =	USER NAME = chollandeske	DESIGNED -	REVISED -	<b>STATE OF ILLINOIS DEPARTMENT OF TRANSPORTATION</b>	<b>STEEL PLATE BEAM GUARDRAIL</b>			F.A. RTE.	SECTION	COUNTY	TOTAL SHEETS	SHEET NO.
ci:\pw_work\pwidot\chollandeske\d0487335	76HS2-deta1.dgn	DRAWN -	REVISED -		VARIOUS	DIST 8 GUARDRAIL 2016-1	VARIOUS	12	11	CONTRACT NO. 76HS2		
#MODELNAME#	PLOT SCALE = 100.0000' / 1"	CHECKED -	REVISED -		SCALE: NONE	SHEET 2 OF 2 SHEETS	STA.	TO STA.	ILLINOIS FED. AID PROJECT			
	PLOT DATE = 3/18/2015	DATE -	REVISED -									



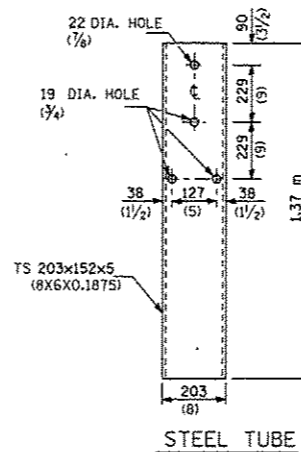
BEARING PLATE K



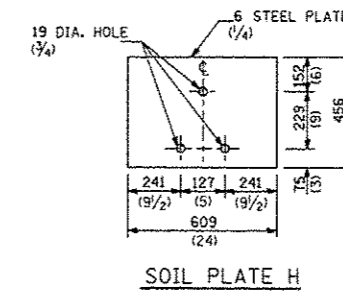
WOOD POST



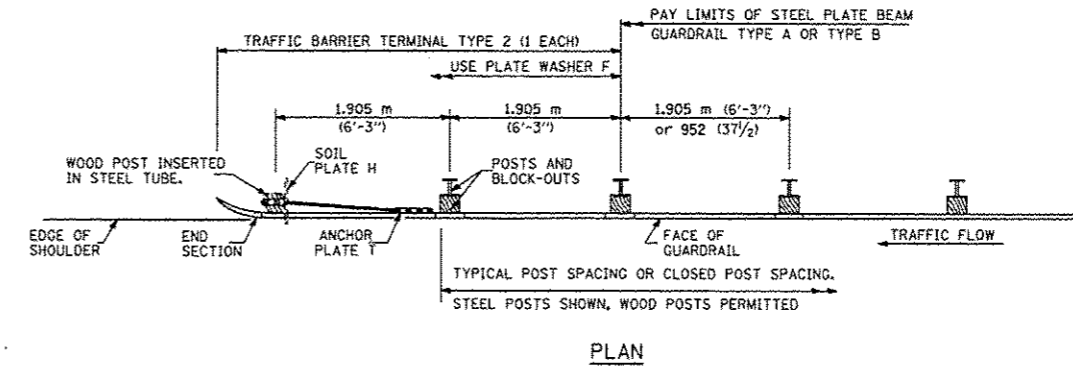
ALTERNATE SOIL PLATE CONNECTION



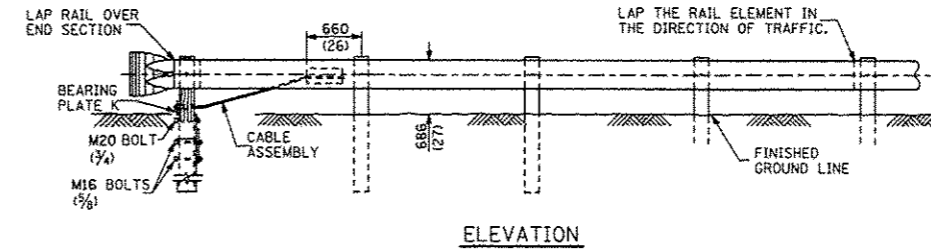
STEEL TUBE



SOIL PLATE H



PLAN



ELEVATION

GENERAL NOTES

USE PLATE WASHER F AT ALL POSTS.  
 THE BEARING PLATE K SHALL BE HELD IN POSITION BY (2) TWO EIGHT PENNY NAILS DRIVEN INTO THE POST AND BENT OVER THE TOP OF THE PLATE.  
 ALL DIMENSIONS ARE IN MILLIMETERS (INCHES) UNLESS OTHERWISE SHOWN.

THIS DETAIL IS APPLICABLE TO THE GUARDRAIL SYSTEM USED PRIOR TO JANUARY 1, 2007. FOR DETAILS ON THE MIDWEST GUARDRAIL SYSTEM, SEE STANDARD 630001.

FILE NAME =	USER NAME = ohellandeska	DESIGNED -	REVISED -	<b>STATE OF ILLINOIS DEPARTMENT OF TRANSPORTATION</b>	<b>TRAFFIC BARRIER TERMINAL TYPE 2</b>		F.A. RTE.	SECTION	COUNTY	TOTAL SHEETS	SHEET NO.	
c:\pr_work\pvidot\ohellandeska\d8487335	76H52-detailed.dgn	DRAWN -	REVISED -		SCALE: NONE	SHEET 1	OF 1 SHEETS	VARIOUS	DIST 8 GUARDRAIL 2016-1	VARIOUS	12	12
#MODELNAME#	PLOT SCALE = 100.0000 / in.	CHECKED -	REVISED -									
	PLOT DATE = 3/18/2015	DATE -	REVISED -									