

1. COVER SHEET
2. GENERAL NOTES
3. SUMMARY OF QUANTITIES
4. TYPICAL SECTION
5. CULVERT REMOVAL DETAILS
6. CULVERT INSTALLATION DETAILS
7. EXISTING CULVERT DETAILS-FOR INFORMATION ONLY
8. MISCELLANEOUS DETAILS

**STANDARDS**

- |           |  |
|-----------|--|
| 000001-08 | STANDARD SYMBOLS, ABBREVIATIONS AND PATTERNS                               |
| 001006    | DECIMAL OF AN INCH AND OF A FOOT   |
| 442201-03 | CLASS C AND D PATCHES  |
| 542301-03 | PRECAST REINFORCED CONCRETE FLARED END SECTION                             |
| 701001-02 | OFF-ROAD OPERATIONS 2L, 2W, MORE THAN 15' (4.5 m) AWAY                     |
| 701006-05 | OFF-ROAD OPERATIONS 2L, 2W, 15' (4.5 m) TO 24" (600 mm) FROM PAVEMENT EDGE |
| 701201-05 | LANE CLOSURE, 2L, 2W, DAY ONLY, FOR SPEEDS $\geq$ 45 MPH                   |
| 701206-05 | LANE CLOSURE, 2L, 2W, NIGHT ONLY, FOR SPEEDS $\geq$ 45 MPH                 |
| 701301-04 | LANE CLOSURE, 2L, 2W, SHORT TIME OPERATIONS                                |
| 701901-08 | TRAFFIC CONTROL DEVICES  |

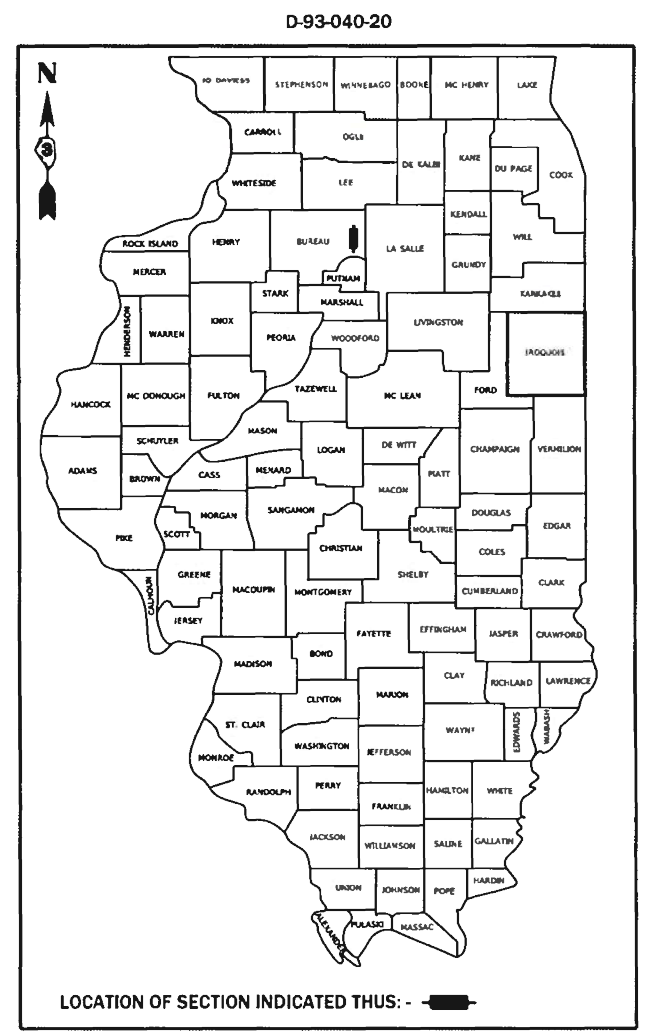
**STATE OF ILLINOIS**  
**DEPARTMENT OF TRANSPORTATION**

**PROPOSED  
HIGHWAY PLANS**

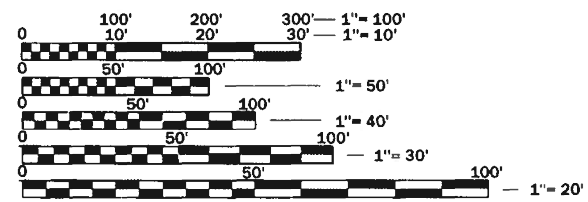
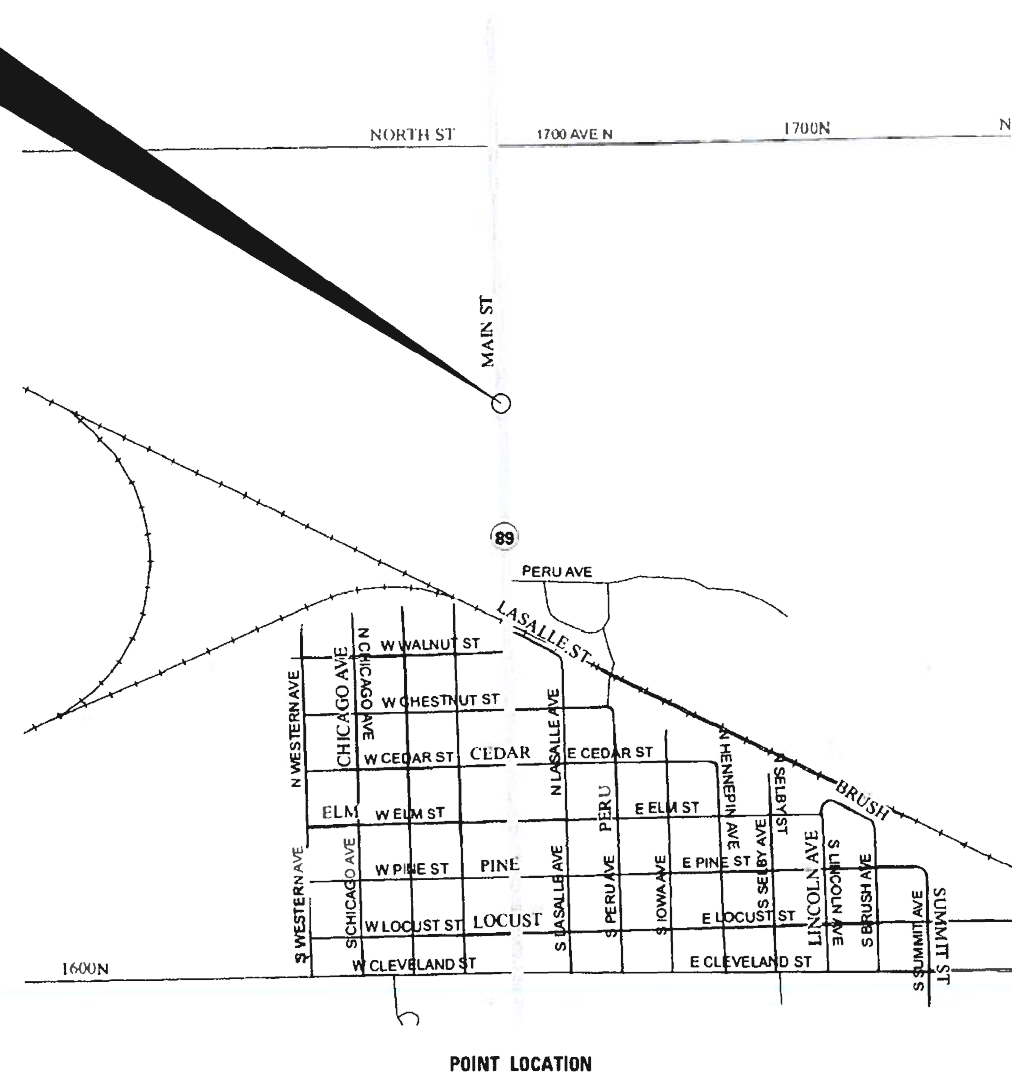
**F.A.P. ROUTE 698 (IL 89)  
SECTION (102)CR  
PIPE CULVERT REPLACEMENT  
BUREAU COUNTY**

C-93-076-20

F.A.P. RTE.	SECTION	COUNTY	TOTAL SHEETS	SHEET NO.
698	(102)CR	BUREAU	8	1
		ILLINOIS	CONTRACT NO. 66K95	



**PROJECT LOCATION**  
STA. 564+45  
0.3 MILES NORTH OF E. WALNUT ST.  
IN LADD



FULL SIZE PLANS HAVE BEEN PREPARED USING STANDARD ENGINEERING SCALES. REDUCED SIZED PLANS WILL NOT CONFORM TO STANDARD SCALES. IN MAKING MEASUREMENTS ON REDUCED PLANS, THE ABOVE SCALES MAY BE USED.

J.U.L.I.E.  
JOINT UTILITY LOCATION INFORMATION FOR EXCAVATION  
1-800-892-0123  
OR 811

**PROJECT ENGINEER JOE KANNEL P.E.**  
**UNIT CHIEF RON WOODSHANK**  
DISTRICT 3 NO. (815) 434-6131  
CONTRACT NO. 66K95

**FUNCTIONAL CLASSIFICATION**  
**URBAN**  
**MINOR ARTERIAL**  
F.A.P. ROUTE 698 (IL 89)  
2019 ADT = 1000  
P.V. 92.1% S.U. 1.9% M.U. 6.0%

STATE OF ILLINOIS  
DEPARTMENT OF TRANSPORTATION

SUBMITTED October 15, 2020  
  
REGIONAL ENGINEER

December 4, 2020  
  
ENGINEER OF DESIGN AND ENVIRONMENT

December 4, 2020  
  
DIRECTOR OF HIGHWAYS PROJECT IMPLEMENTATION

**PRINTED BY THE AUTHORITY  
OF THE STATE OF ILLINOIS**

**GENERAL NOTES**

BEFORE ORDERING PIPE CULVERTS OR PIPE DRAINS, THE CONTRACTOR SHALL CONSULT THE ENGINEER FOR EXACT LENGTHS.

FOR STABILIZATION, ALL TYPE III BARRICADES WILL REQUIRE A MINIMUM OF FOUR SAND BAGS PER BARRICADE.

SEEDING WILL NOT BE PERMITTED AT ANY TIME WHEN THE GROUND IS FROZEN, WET, OR IN AN UNTILLABLE CONDITION. LOCATIONS TO BE SEEDED WILL BE DETERMINED BY THE ENGINEER.

THE FINISHED EARTHWORK SHALL HAVE A VEGETATION SUSTAINING SOIL COVERING THE TOP FOUR INCHES ( 100 MILLIMETERS) IN AREAS TO BE SEEDED OR SODDED. THE VEGETATION SUSTAINING SOIL REQUIRED WILL NOT BE PAID FOR SEPARATELY BUT WILL BE INCLUDED IN THE COST OF FURNISHED EXCAVATION.

ALL ELEVATIONS REFERRING TO U.S.G.S. MEAN SEA LEVEL DATUM.

ABANDONED UNDERGROUND UTILITIES THAT CONFLICT WITH CONSTRUCTION SHALL BE DISPOSED OF OUTSIDE THE LIMITS OF THE RIGHT OF WAY ACCORDING TO ARTICLE 202.03 OF THE STANDARD SPECIFICATIONS AND AS DIRECTED BY THE ENGINEER. THIS WORK WILL NOT BE PAID FOR SEPARATELY, BUT WILL BE INCLUDED IN THE COST OF EARTH EXCAVATION.

ANY REFERENCE TO A STANDARD IN THESE PLANS SHALL BE INTERPRETED TO MEAN THE EDITION AS INDICATED BY THE SUBNUMBER SHOWN IN THE LIST OF STANDARDS OR THE COPY INCLUDED IN THESE PLANS.

THE FOLLOWING RATES OF APPLICATION HAVE BEEN USED IN CALCULATING PLAN QUANTITIES:

GRANULAR MATERIALS	2.05	TONS / CU YD
--------------------	------	--------------

THE WORK REQUIRED TO CONNECT ANY SEWER TO AN EXISTING DRAINAGE STRUCTURE OR PIPE WILL NOT BE PAID FOR SEPARATELY, BUT WILL BE CONSIDERED AS INCLUDED IN THE CONTRACT UNIT PRICE BID FOR THE SEWER ITEMS.

MEMBERS OF JULIE KNOWN TO BE WITHIN THE LIMITS OF THE IMPROVEMENT ARE:

EASTERN ILLINI ELECTRIC CORP.  
FRONTIER  
METRO COMMUNICATIONS

THE CONTRACTOR SHALL CONTACT JULIE AT LEAST 48 HOURS PRIOR TO EXCAVATION TO DETERMINE WHICH UTILITIES ARE IN THE AREA.

**COMMITMENTS**

FOLDER: 89-2

ILL. RTE. 89 LOCATION: 0.3 MI N OF WALNUT ST IN LADD

CONTRACT NO. 66K95  
BUREAU COUNTY

MONUMENT NUMBER	DESCRIPTION	EXISTING MONUMENT TYPE	PROPOSED MONUMENT TYPE	MONUMENT RECORD TO BE RECORDED	RESPONSIBILITY
N/A	NO PERMANENT SURVEY MARKERS OR SECTION CORNER MARKERS TO BE SET ON THIS JOB	N/A	N/A	N/A	N/A

NO KNOWN SURVEY OR CENTERLINE CONTROL MONUMENTS ARE ON THE ROAD SURFACE THAT WILL BE DISTURBED BY THE CULVERT REPLACEMENT. R.E. WILL DIRECT PLATS AND PLANS TO SEARCH FOR ADDITIONAL MONUMENTS IF THE JOB LIMITS ARE EXPANDED DURING CONSTRUCTION. UNKNOWN MONUMENTS MAY EXIST. IF FOUND, R.E. MUST TIE AND REQUEST PLATS AND PLANS PERSONNEL TO GPS ANY UNKNOWN MONUMENT WHICH IS SUBJECT TO DESTRUCTION BY THE RECONSTRUCTION WORK, AND INFORM THEM TO RESET THE MONUMENT UPON JOB COMPLETION. NO MONUMENT RECORDS ARE REQUIRED FOR THIS JOB.

LOCATIONS:	ENTIRE PROJECT	ENTIRE PROJECT
MIXTURE USE(S):	CLASS D PATCH BOTTOM LIFT(S)	CLASS D PATCH TOP LIFT
BINDER GRADE (PG):	PG 64-22	PG 64-22
DESIGN AIR VOIDS:	4.0% @ N50	4.0% @ N50
MIXTURE COMPOSITION: (MIXTURE GRADATION)	IL 19.0	IL 9.5
FRICTION AGGREGATE:	NA	MIXTURE C
MIXTURE WEIGHT:	112.0 LB/SY/IN	112.0 LB/SY/IN
QUALITY MANAGEMENT PROGRAM:	QCQA	QCQA
SUBLOT SIZE:	NA	NA
DENSITY TEST METHOD:	CORES	CORES

STATE OF ILLINOIS  
DEPARTMENT OF TRANSPORTATION  
DISTRICT THREE  
AS BUILT INFORMATION

\_\_\_\_\_  
SUPERVISING CONSTRUCTION FIELD ENGINEER

\_\_\_\_\_  
RESIDENT ENGINEER / TECHNICIAN

START & END DATES  
OF CONSTRUCTION:

INSPECTORS:

STATE OF ILLINOIS  
DEPARTMENT OF TRANSPORTATION  
DISTRICT THREE

PREPARED BY: \_\_\_\_\_  
DISTRICT STUDIES & PLANS ENGINEER

DATE: \_\_\_\_\_

EXAMINED BY: \_\_\_\_\_  
DISTRICT CONSTRUCTION ENGINEER

\_\_\_\_\_  
DISTRICT MATERIALS ENGINEER

\_\_\_\_\_  
DISTRICT OPERATIONS ENGINEER

STATE OF ILLINOIS  
DEPARTMENT OF TRANSPORTATION

**GENERAL NOTES**

SCALE: SHEET OF SHEETS STA. TO STA.

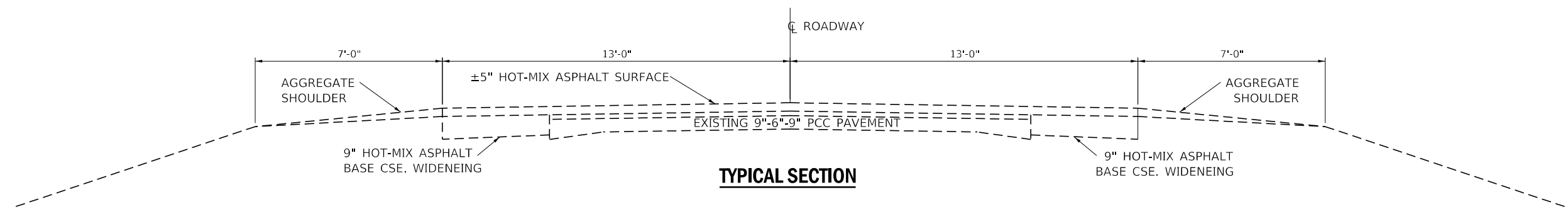
F.A.P. RTE.	SECTION	COUNTY	TOTAL SHEETS	SHEET NO.
698	(102)CR	BUREAU	8	2
CONTRACT NO. 66K95				
ILLINOIS		FED. AID PROJECT		

CODE NO.	ITEM	UNIT	TOTAL QUANTITY	CONSTRUCTION CODE	
				CONTRACT MAINTENANCE	
				100% STATE	
				PIPE CULVERT	
				0004	
				RURAL	
20800150	TRENCH BACKFILL	CU YD	50	50	
44201819	CLASS D PATCHES, TYPE III, 14 INCH	SQ YD	38	38	
48101200	AGGREGATE SHOULDERS, TYPE B	TON	10	10	
50102400	CONCRETE REMOVAL	CU YD	8	8	
50105220	PIPE CULVERT REMOVAL	FOOT	168	168	
542A0229	PIPE CULVERTS, CLASS A, TYPE 1 24"	FOOT	96	96	
54213669	PRECAST REINFORCED CONCRETE FLARED END SECTIONS 24"	EACH	2	2	
63200310	GUARDRAIL REMOVAL	FOOT	260	260	
67100100	MOBILIZATION	L SUM	1	1	
70100450	TRAFFIC CONTROL AND PROTECTION, STANDARD 701201	L SUM	1	1	
70100455	TRAFFIC CONTROL AND PROTECTION, STANDARD 701206	L SUM	1	1	
Z0030850	TEMPORARY INFORMATION SIGNING	SQ FT	42	42	

Δ SPECIALITY ITEMS

MODEL: Default  
FILE: h:\mhc\p\pub\harcam\mhc\pub\DOT\Documents\DOT\_Offices\lhartct\_3\Project\0366K95\CADD\0366K95-cover.dgn

USER NAME = MARINIEJ	DESIGNED - EM	REVISED -	<b>STATE OF ILLINOIS DEPARTMENT OF TRANSPORTATION</b>	<b>SUMMARY OF QUANTITIES</b>				F.A.P. RTE.	SECTION	COUNTY	TOTAL SHEETS	SHEET NO.
PLOT SCALE = 3.9370' / mm	DRAWN - EM	REVISED -						698	(102)CR	BUREAU	8	3
PLOT DATE = 10/15/2020	CHECKED - RW	REVISED -		SCALE: SHEET 1 OF 1 SHEETS STA. TO STA.				CONTRACT NO. 66K95				
	DATE - 10/15/2020	REVISED -		ILLINOIS FED. AID PROJECT								



**TYPICAL SECTION**

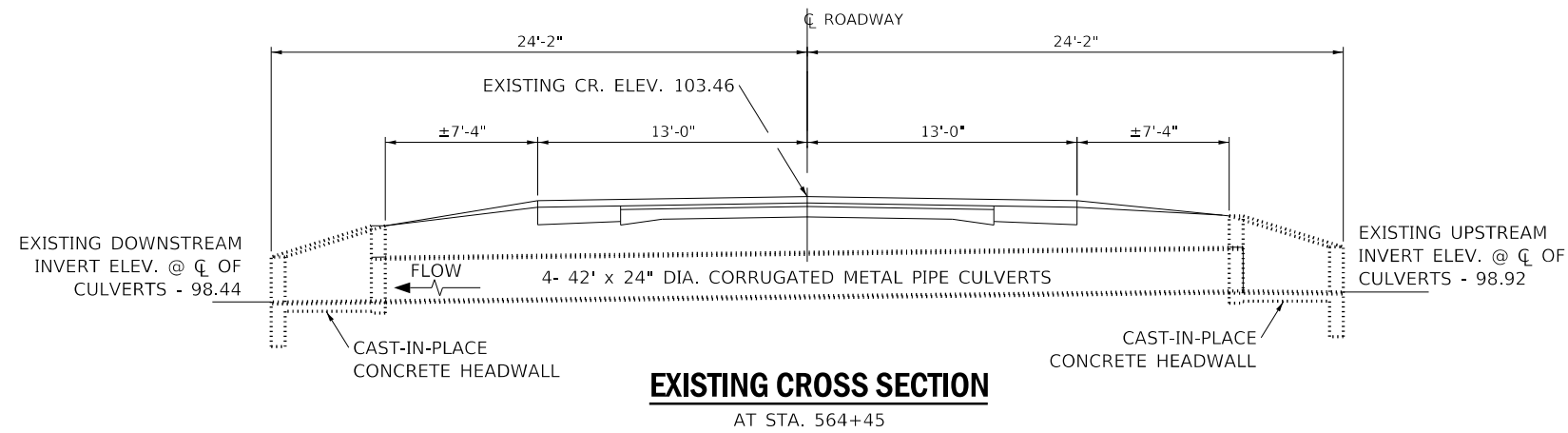
MODEL: Default  
 FILE: h:\mhc\p\suplanroom\dat\illinois.gov\RW\DOT\Documents\DOT\_Offices\District\_3\Project\ID366K95\CADD\dat\ID366K95-cover.dgn

USER NAME = MARINIEJ	DESIGNED - EM	REVISED -
	DRAWN - EM	REVISED -
PLOT SCALE = 3.9370' / mm	CHECKED - RW	REVISED -
PLOT DATE = 10/15/2020	DATE - 10/15/2020	REVISED -

**STATE OF ILLINOIS  
 DEPARTMENT OF TRANSPORTATION**

<b>TYPICAL SECTION</b>	
SCALE:	SHEET 1 OF 1 SHEETS STA. TO STA.

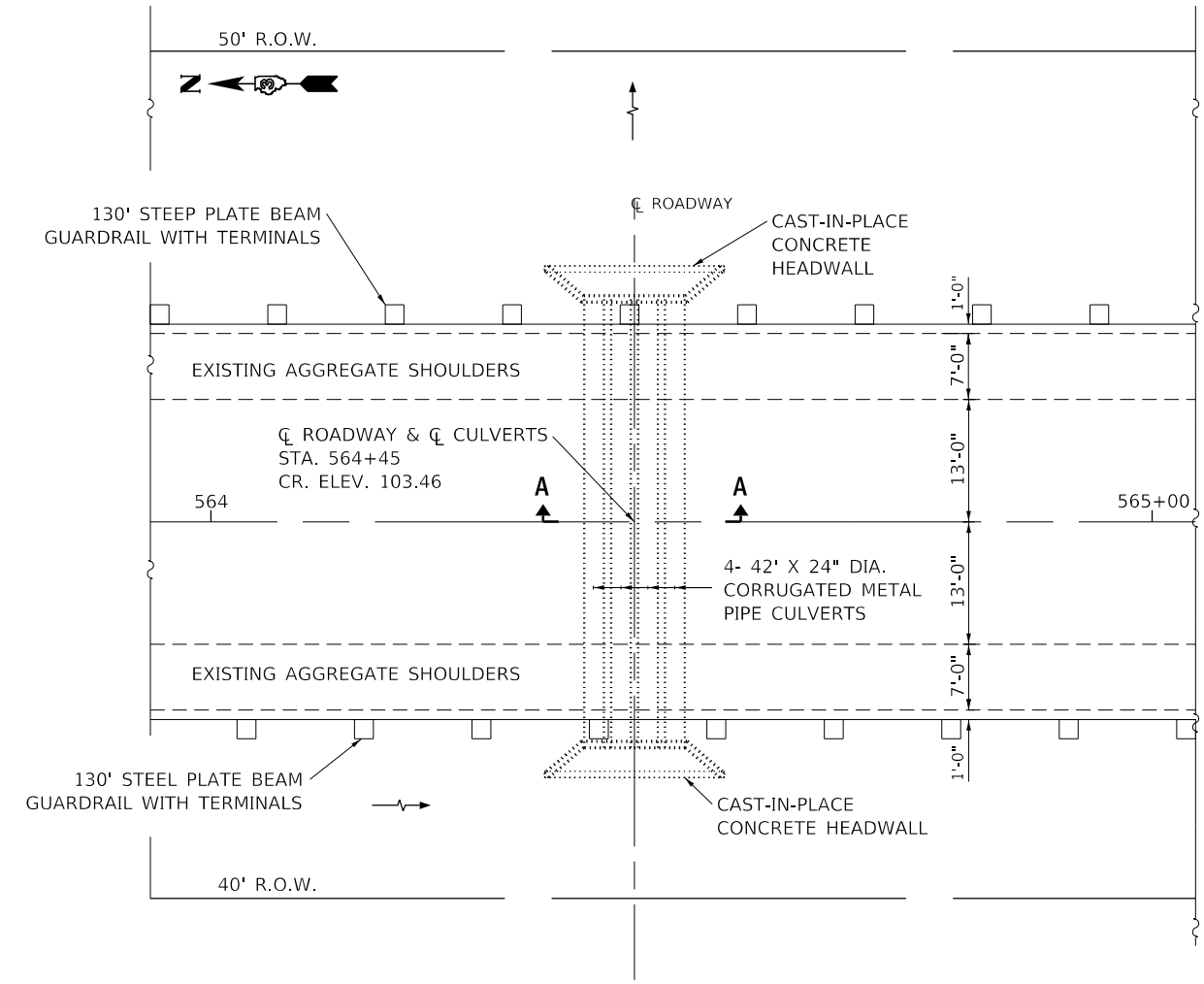
F.A.P. RTE.	SECTION	COUNTY	TOTAL SHEETS	SHEET NO.
698	(102)CR		8	4
CONTRACT NO. 66K95			ILLINOIS FED. AID PROJECT	



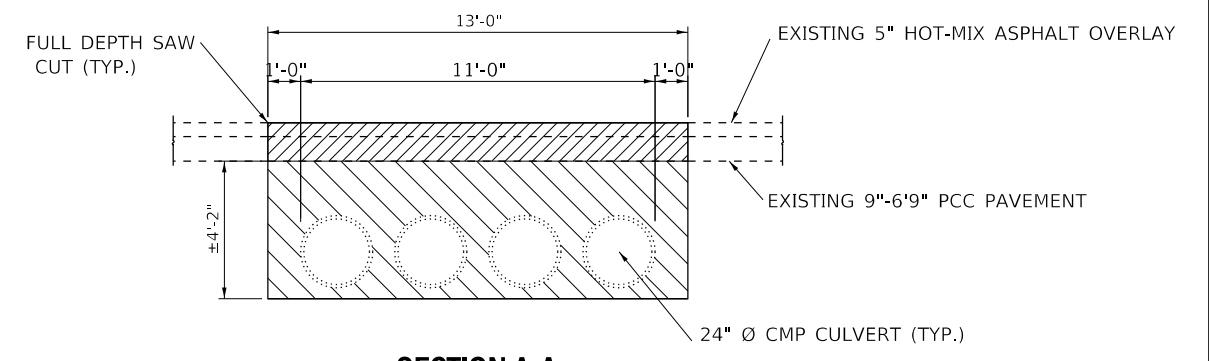
**EXISTING CROSS SECTION**  
AT STA. 564+45

**DESCRIPTION OF WORK**

1. REMOVE EXISTING HOT-MIX ASPHALT SURFACE AND PCC PAVEMENT. (TO BE INCLUDED IN THE COST OF CLASS D PATCH OF THE TYPE SPECIFIED).
2. REMOVE 4 EXISTING CORRUGATED METAL PIPE CULVERTS.
3. CONCRETE REMOVAL (HEADWALLS)



**EXISTING PLAN**  
AT STA. 564+45



**SECTION A-A**

**LEGEND**

- PAVEMENT REMOVAL FOR "CLASS D PATCH"
- EARTH EXCAVATION (FOR INFORMATION ONLY)

MODEL: Default  
 FILE: \\blm1c1-pub\pub\arcom\dat\illinois.gov\PI\DOT\Documents\DOT\_Offices\District\_3\Projects\0366K95\CADD\0366K95-cover.dgn

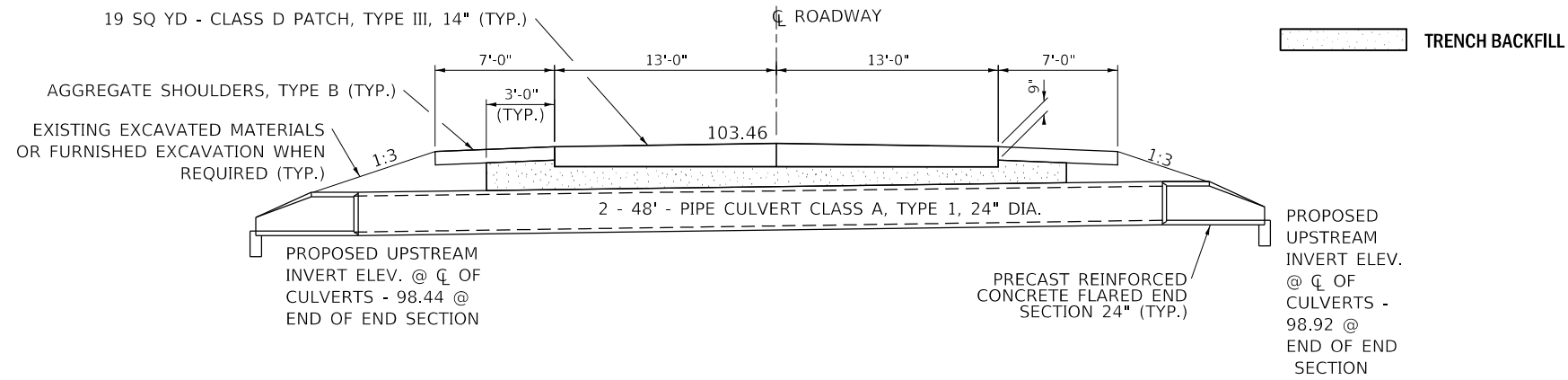
USER NAME = MARINIEJ	DESIGNED - EM	REVISED -
	DRAWN - EM	REVISED -
PLOT SCALE = 3.9370' / mm	CHECKED - RW	REVISED -
PLOT DATE = 10/15/2020	DATE - 10/15/2020	REVISED -

**STATE OF ILLINOIS  
DEPARTMENT OF TRANSPORTATION**

**CULVERT REMOVAL DETAILS**

SCALE: SHEET 1 OF 1 SHEETS STA. TO STA.

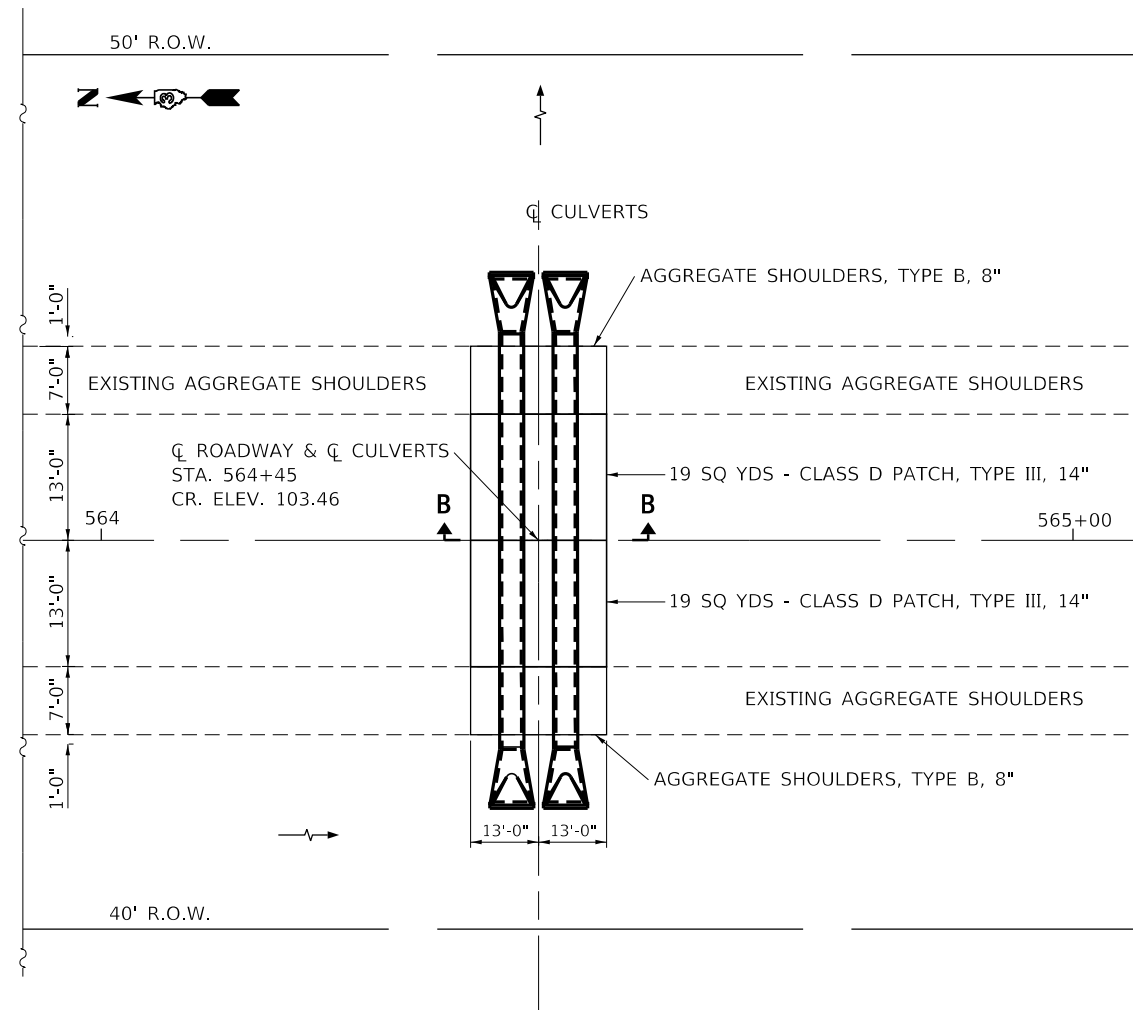
F.A.P. RTE. 698	SECTION (102)CR	COUNTY BUREAU	TOTAL SHEETS 8	SHEET NO. 5
CONTRACT NO. 66K95			ILLINOIS FED. AID PROJECT	



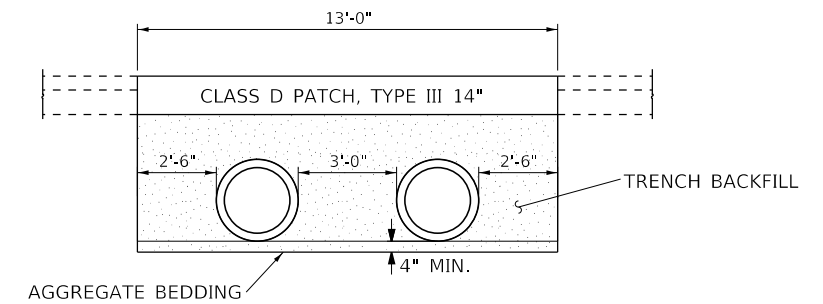
**PROPOSED CROSS SECTION**  
AT STA. 564+45

**DESCRIPTION OF WORK**

1. COMPACT BOTTOM OF EXCAVATED TRENCH.
2. INSTALL AGGREGATE BEDDING
3. INSTALL 2- 24" DIA. PRC PIPE CULVERT, CLASS A, TYPE 1 24"
4. INSTALL CONTROLLED LOW-STRENGTH MATERIAL.
5. INSTALL CLASS D PATCH, TYPE III 14"



**PROPOSED PLAN**  
AT STA. 564+45



**SECTION B-B**

MODEL: Default  
 FILE: \\blm1c1-pub\pub\arcom\dat\illinois.gov\PI\DOT\Documents\DOT\_Offices\District\_3\Projects\ID366K95\CADD\DATA\ID366K95-cover.dgn

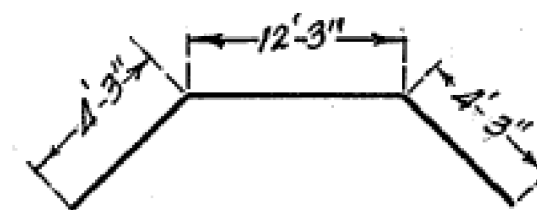
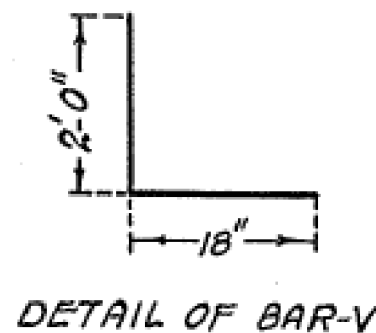
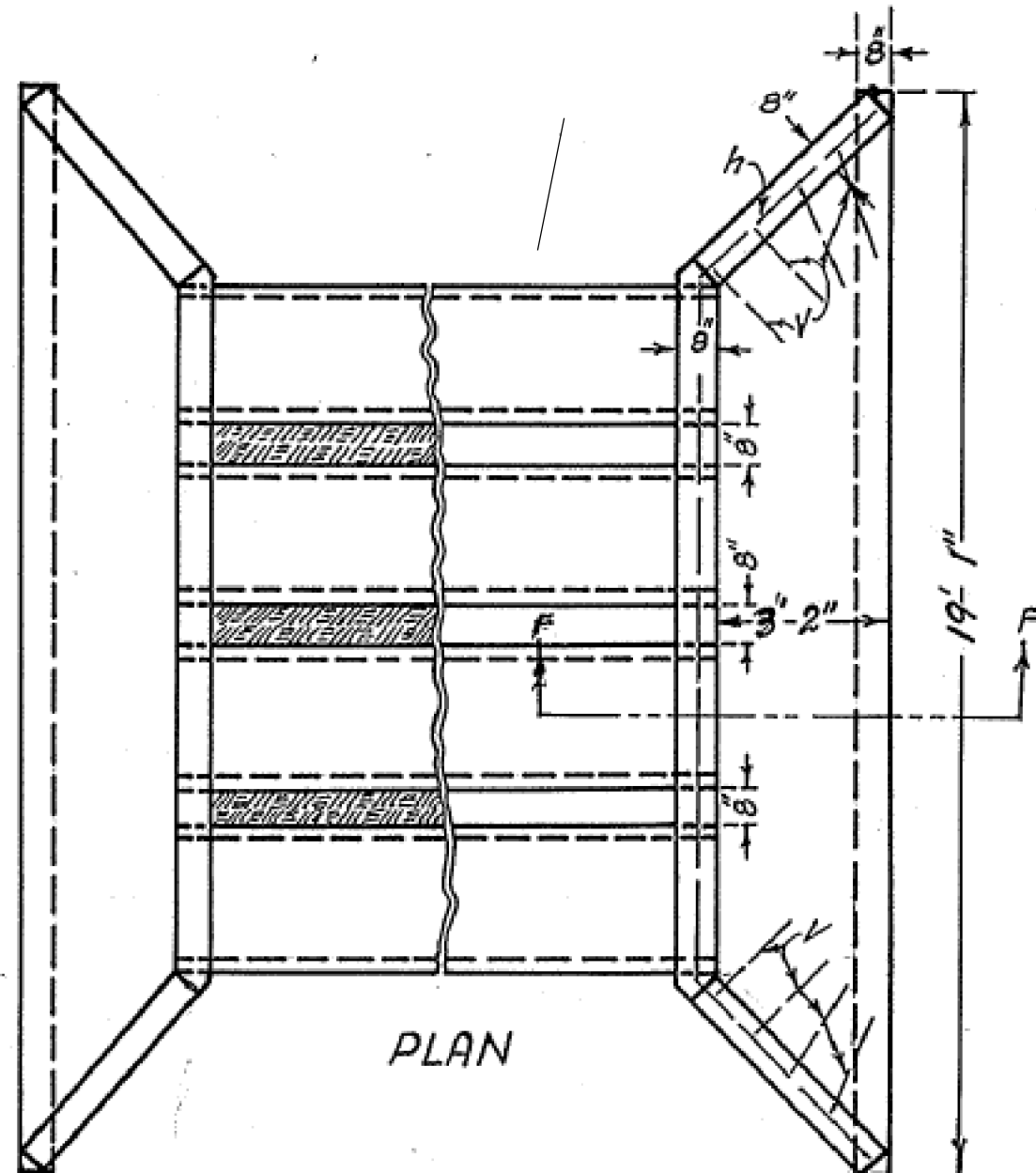
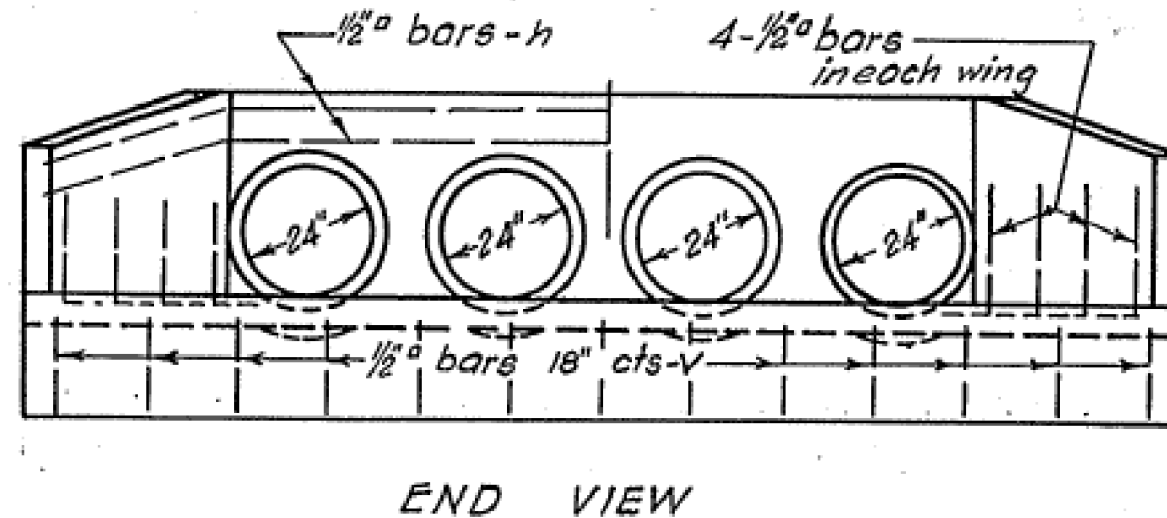
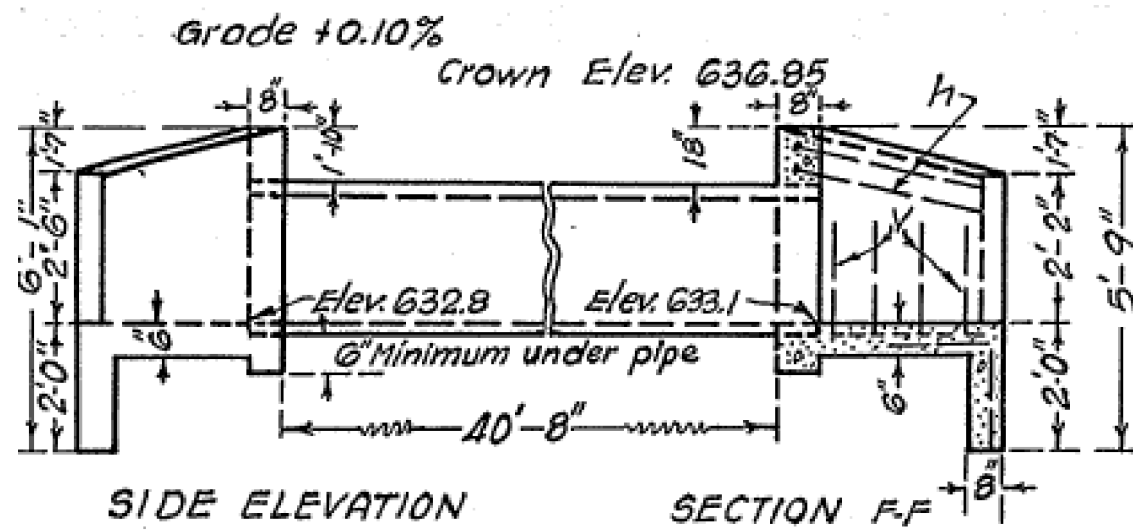
USER NAME = MARINIEJ	DESIGNED - EM	REVISED -
	DRAWN - EM	REVISED -
PLOT SCALE = 3.9370' / mm	CHECKED - RW	REVISED -
PLOT DATE = 10/15/2020	DATE - 10/15/2020	REVISED -

**STATE OF ILLINOIS  
DEPARTMENT OF TRANSPORTATION**

**CULVERT INSTALLATION DETAILS**

SCALE: SHEET 1 OF 1 SHEETS STA. TO STA.

F.A.P. RTE.	SECTION	COUNTY	TOTAL SHEETS	SHEET NO.
698	(102)CR	BUREAU	8	6
CONTRACT NO. 66K95			ILLINOIS FED. AID PROJECT	



DETAIL OF BAR-h  
Bend in field  
Two req'd in each Headwall.

**BILL OF MATERIAL**

Bars	No.	Size	Length
h	4	1/2" Ø	20'-9"
v	42	1/2" Ø	3'-6"

Class X Conc. Cu. Yds. 6.6  
Reinf Steel Lbs. 200

Up to 3' Cover 24" Ø pipe Culverts lin. ft. 168

Computed & Drawn } J. Kachir  
Checked D. Crawford

**"FOR INFORMATION ONLY"**

Sta. 564+45  
S.B.I. Rte. 162 Sec. 103  
Bureau County

MODEL: Default  
FILE: \\s:\b\baron\m.d\illinois\p\p\DOT\Documents\DOT Office\Drawings\Projects\10366K95\CADD\10366K95-cover.dwg

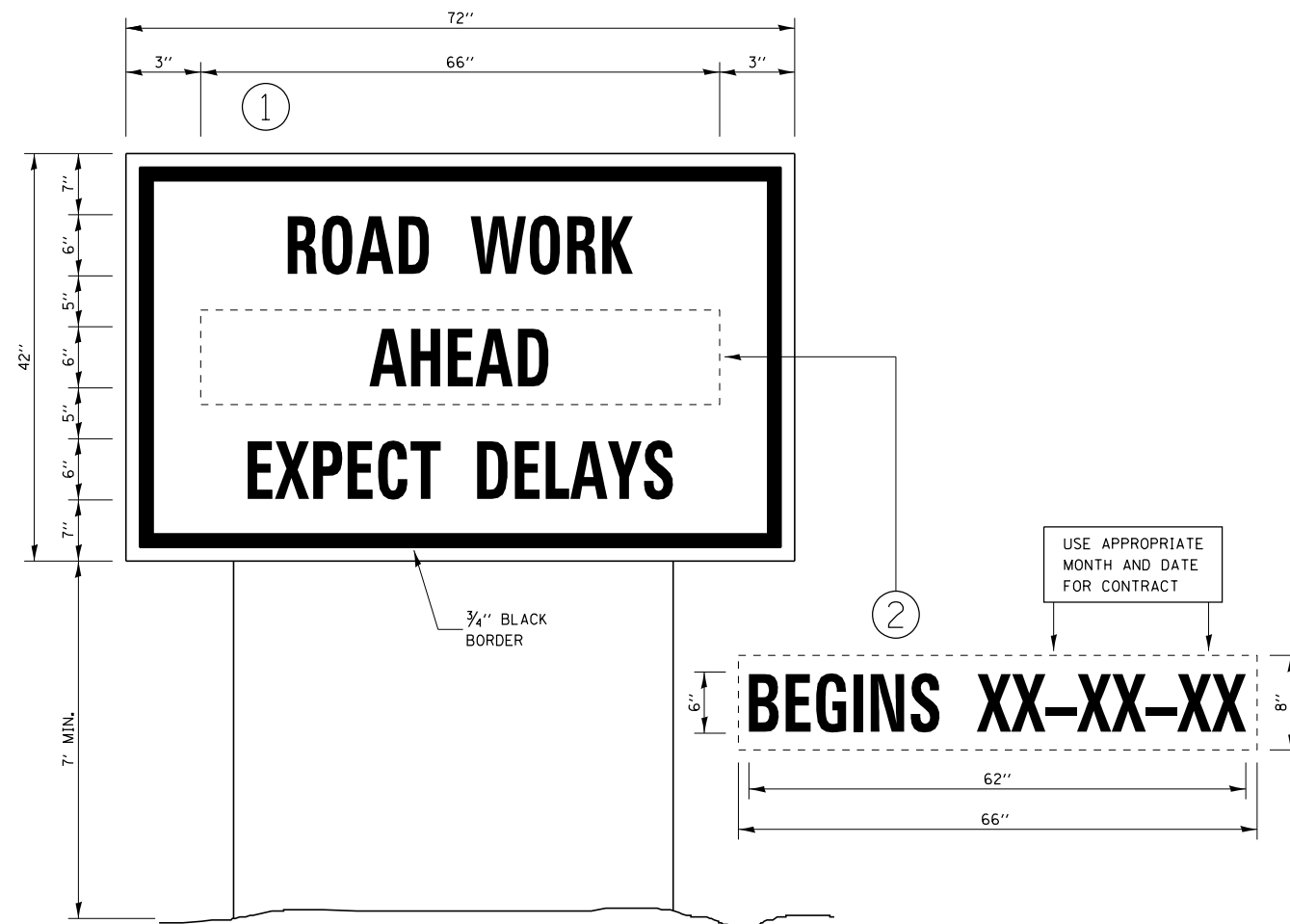
USER NAME = MARINEJ	DESIGNED - EM	REVISED -
	DRAWN - EM	REVISED -
PLOT SCALE = 3.9370' / mm	CHECKED - RW	REVISED -
PLOT DATE = 10/15/2020	DATE - 10/15/2020	REVISED -

STATE OF ILLINOIS  
DEPARTMENT OF TRANSPORTATION

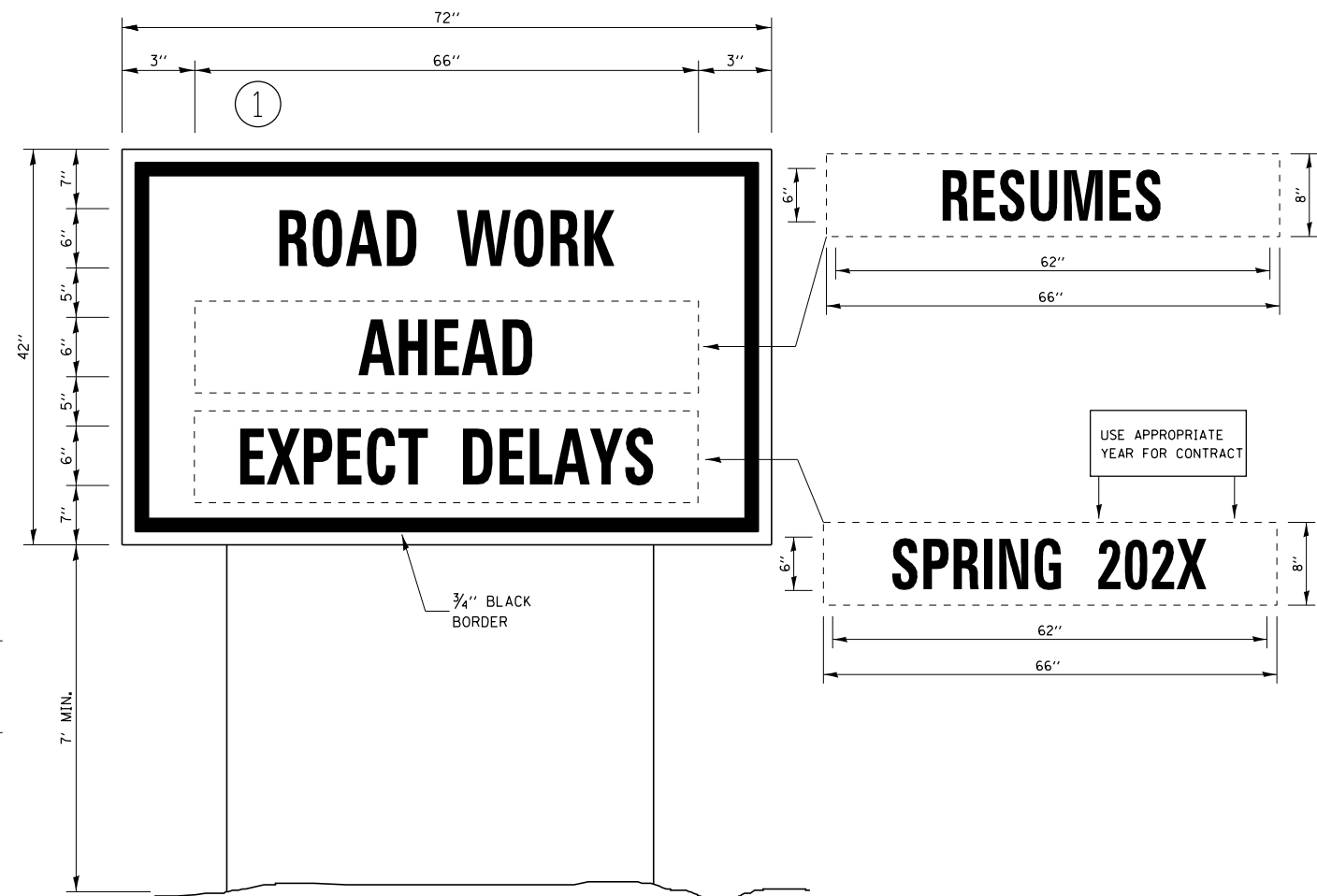
EXISTING CULVERT PLANS

SCALE: SHEET 1 OF 1 SHEETS STA. TO STA.

F.A.P. RTE. 698	SECTION (102)CR	COUNTY BUREAU	TOTAL SHEETS 8	SHEET NO. 7
			CONTRACT NO. 66K95	
ILLINOIS FED. AID PROJECT				



**TEMPORARY INFORMATION SIGNING**



**WINTER SHUT DOWN SIGNING**

**NOTES:**

1. USE 6" D BLACK LETTERING ON FLOURESENT ORANGE BACKGROUND.
2. ERECT SIGNS AT LOCATIONS IN ADVANCE OF THE "ROAD CONSTRUCTION AHEAD" SIGNS AS DIRECTED BY THE ENGINEER.
3. ERECT SIGN ① WITH INSTALLED PANEL ② A MINIMUM OF ONE WEEK PRIOR TO THE START OF THE LANE CLOSURE.
4. REMOVE PANEL ② ON THAT DATE.
5. SEE SPECIAL PROVISION "TEMPORARY INFORMATION SIGNING" FOR ADDITIONAL INFORMATION.
6. WILL BE PAID FOR PER SQ FT AS "TEMPORARY INFORMATION SIGNING". EACH SIGN = 21 SQ FT AND THE DATE PANEL ② WILL NOT BE MEASURED SEPARATELY FOR PAYMENT.

MODEL: Default  
FILE: \\blm1c2.pw.us\pub\aroom.d\at\illinois.gov\PI\DOT\Documents\DOT\_Offices\District\_3\Projects\0366K95\CADD\0366K95-cover.dgn

USER NAME = MARINIEJ	DESIGNED - EM	REVISED -
	DRAWN - EM	REVISED -
PLOT SCALE = 3.9370' / mm	CHECKED - RW	REVISED -
PLOT DATE = 10/15/2020	DATE - 10/15/2020	REVISED -

**STATE OF ILLINOIS  
DEPARTMENT OF TRANSPORTATION**

**TEMPORARY INFORMATION SIGNING**

SCALE: SHEET 1 OF 1 SHEETS STA. TO STA.

F.A.P. RTE.	SECTION	COUNTY	TOTAL SHEETS	SHEET NO.
698	(102)CR	BUREAU	8	8
CONTRACT NO. 66K95				
ILLINOIS FED. AID PROJECT				