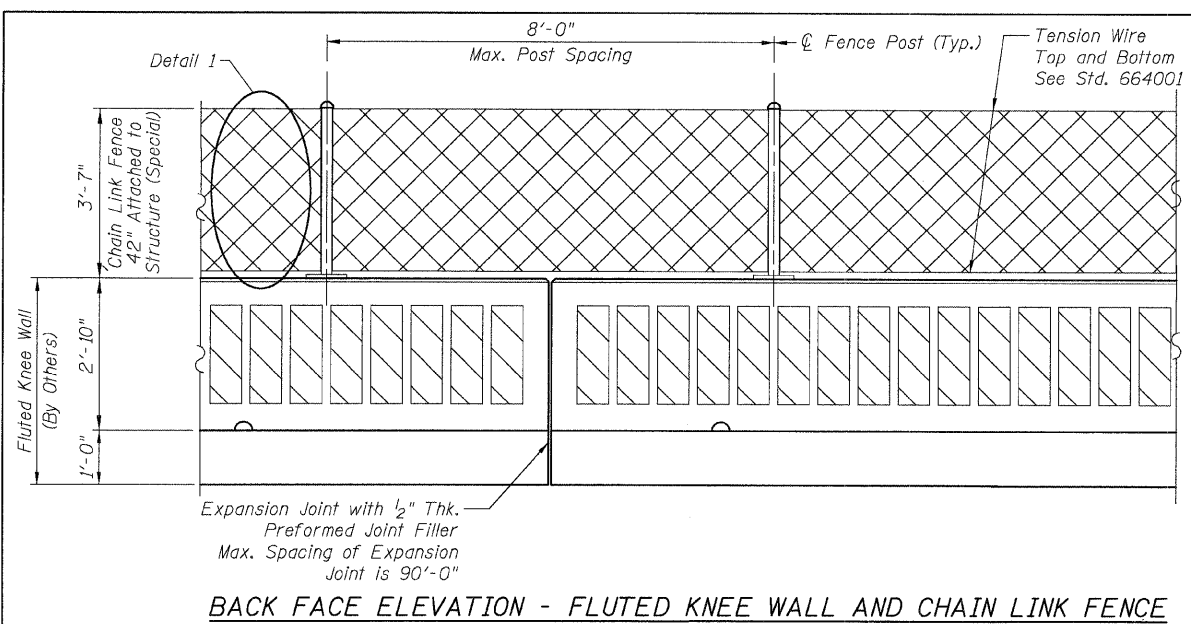
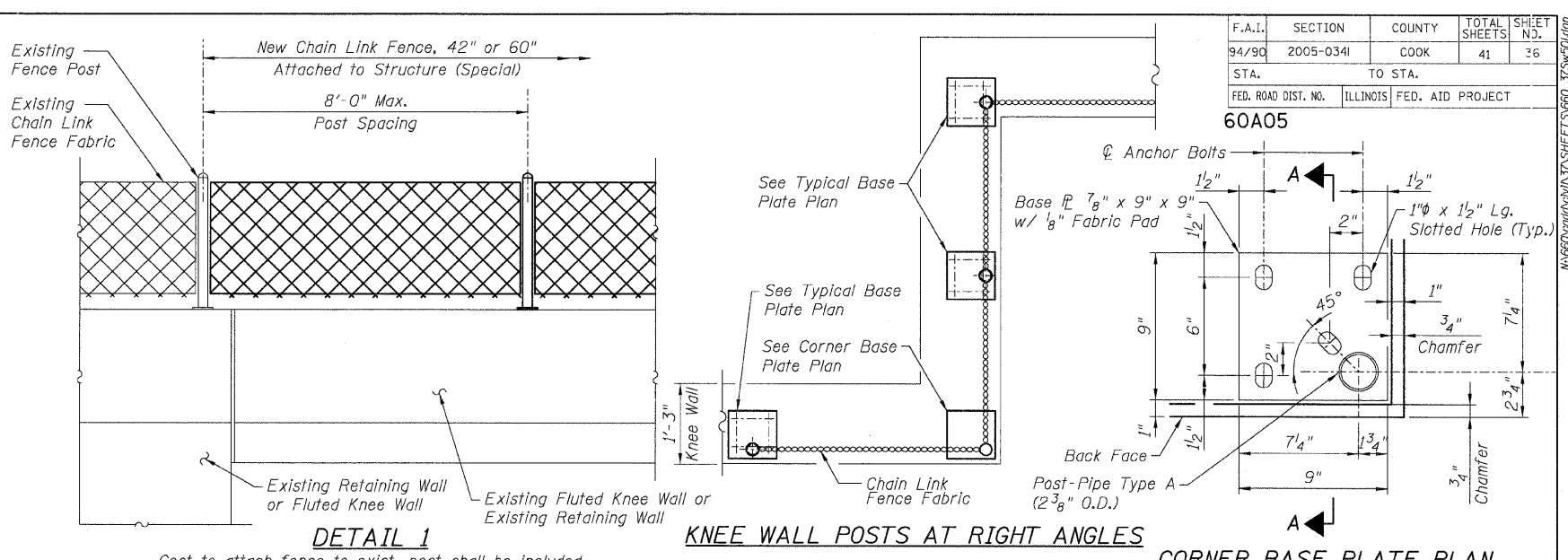


F.A.I.	SECTION	COUNTY	TOTAL SHEETS	SHEET NO.
94/90	2005-0341	COOK	41	36
STA.	TO STA.			
FED. ROAD DIST. NO.	ILLINOIS	FED. AID PROJECT		

60A05



BACK FACE ELEVATION - FLUTED KNEE WALL AND CHAIN LINK FENCE

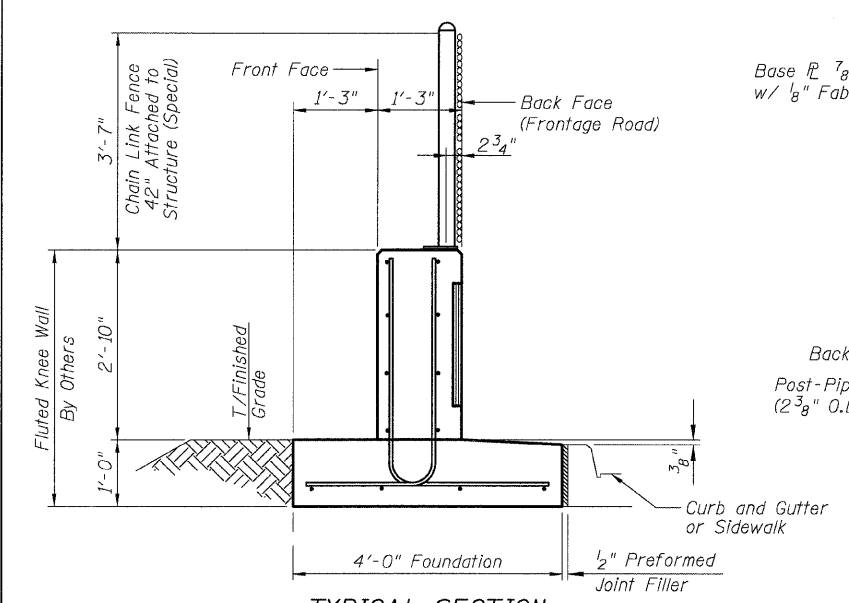


DETAIL 1

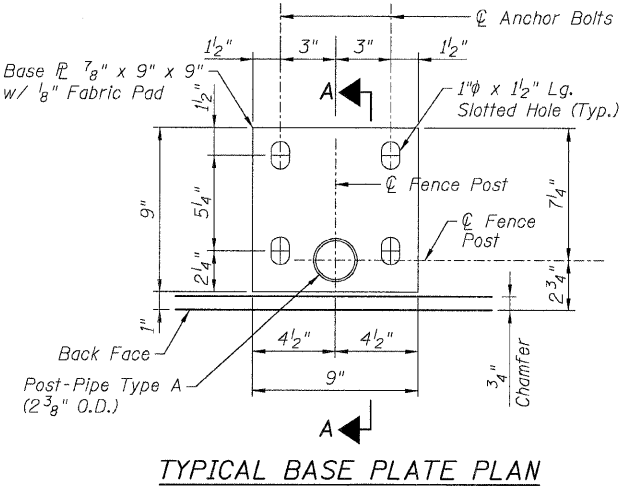
KNEE WALL POSTS AT RIGHT ANGLES

CORNER BASE PLATE PLAN

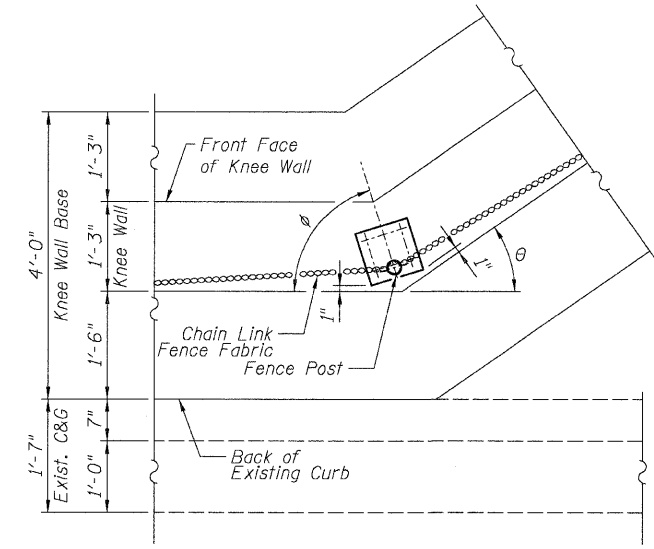
Cost to attach fence to exist. post shall be included in the cost of Chain Link Fence, of the type specified.



TYPICAL SECTION FLUTED KNEE WALL & CHAIN LINK FENCE

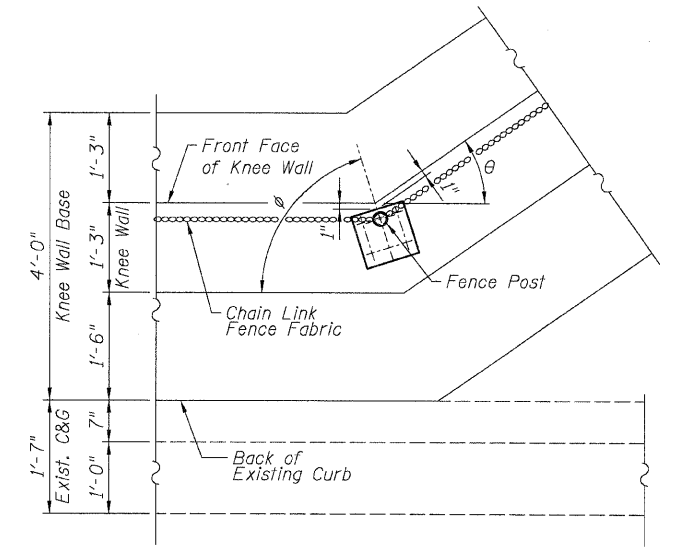


TYPICAL BASE PLATE PLAN



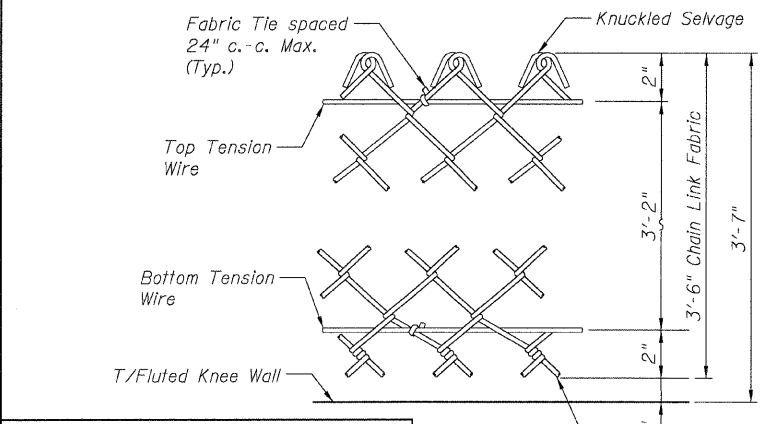
KNEE WALL TYPICAL CORNER POST

$\theta = \text{Field Verify (Valid for } 0^\circ < \theta < 90^\circ)$
 $\phi = 90^\circ - (\theta/2)$

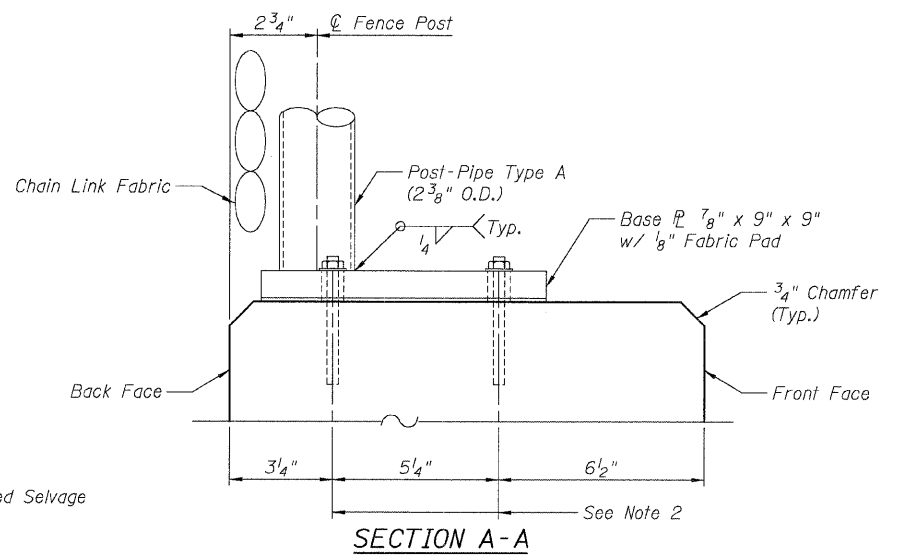


KNEE WALL INTERIOR CORNER POST

$\theta = \text{Field Verify (Valid for } 0^\circ < \theta < 90^\circ)$
 $\phi = 90^\circ - (\theta/2)$



DETAIL 1



SECTION A-A

NOTES:

1. Back Face is face adjacent to Frontage Rd. and Front Face is face adjacent to Expressway.
2. Contractor shall drill and grout 1/2" dia. anchor rods in accordance with Art. 584 of the Std. Specs. Provide hex nut and 1/4" dia. washer. Anchor rods, nuts and washers shall be galvanized in accordance with Art. 1006.09 of the Std. Specs. Embedment shall be according to manufacturer's specifications using HVA adhesive anchor rod system as manufactured by Hilti, Inc. or approved equal. Weld nuts to anchor rods after installation. Cost included with Chain Link Fence, 42" Attached to Structure (Special).
3. For additional Chain Link Fence Details see Std. 664001.
4. Posts shall be located no closer than 9" to an expansion joint. Unless otherwise noted, the center of post shall be 1'-0" from end of knee wall at locations where Chain Link Fence, 42" Attached to Structure (Special) terminates.

LEGEND:

- Chain Link Fabric
- Rustication Finish
- E.F. = Each Face

REVISIONS	
NAME	DATE
REVISED	11/5/08

SHEET SD-1

ILLINOIS DEPARTMENT OF TRANSPORTATION
F.A.I. 94/90 (DAN RYAN EXPRESSWAY)
SB FENCE AND GATES FROM 47TH PLACE TO 31ST ST

**CHAIN LINK FENCE, 42"
ATTACHED TO STRUCTURE (SPECIAL)**

SCALE: NTS
DATE: 10/23/08

DRAWN BY: TL
CHECKED BY: BLU

BOWMAN, BARRETT & ASSOCIATES INC.
CONSULTING ENGINEERS
Chicago, Illinois
312.228.0100
www.bbainc.com

11/5/2008 12:28:05 PM