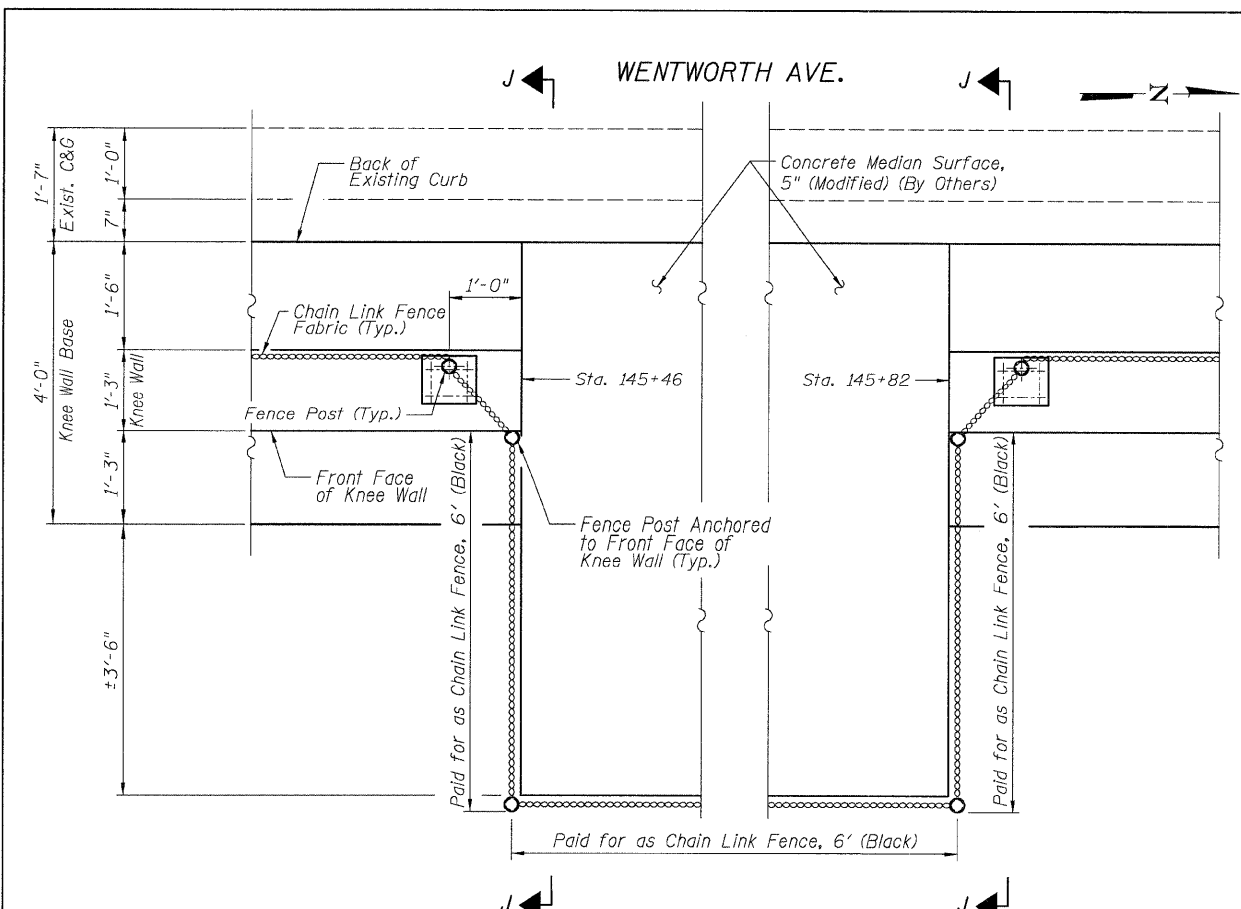
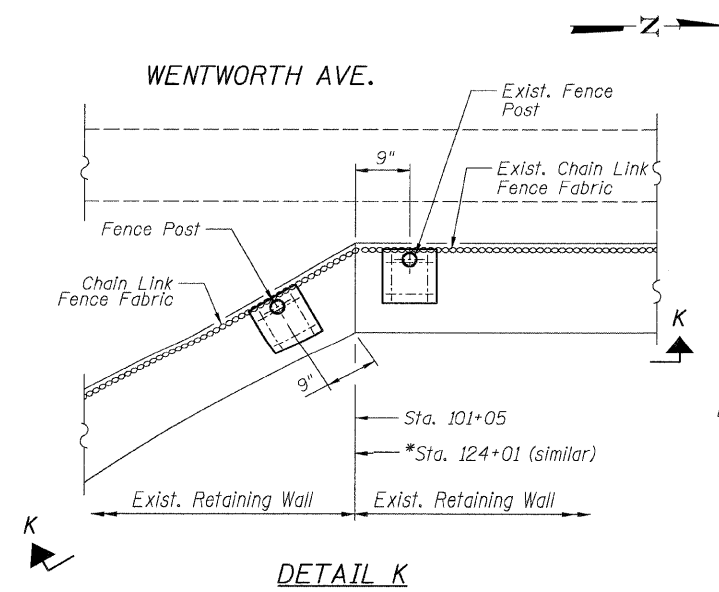


F.A.I.	SECTION	COUNTY	TOTAL SHEETS	SHEET NO.
94/90	2005-0341	COOK	41	38
STA.	TO STA.			
FED. ROAD DIST. NO.	ILLINOIS	FED. AID PROJECT		

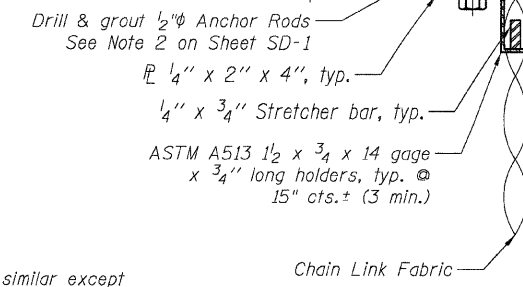
60A05



DETAIL J



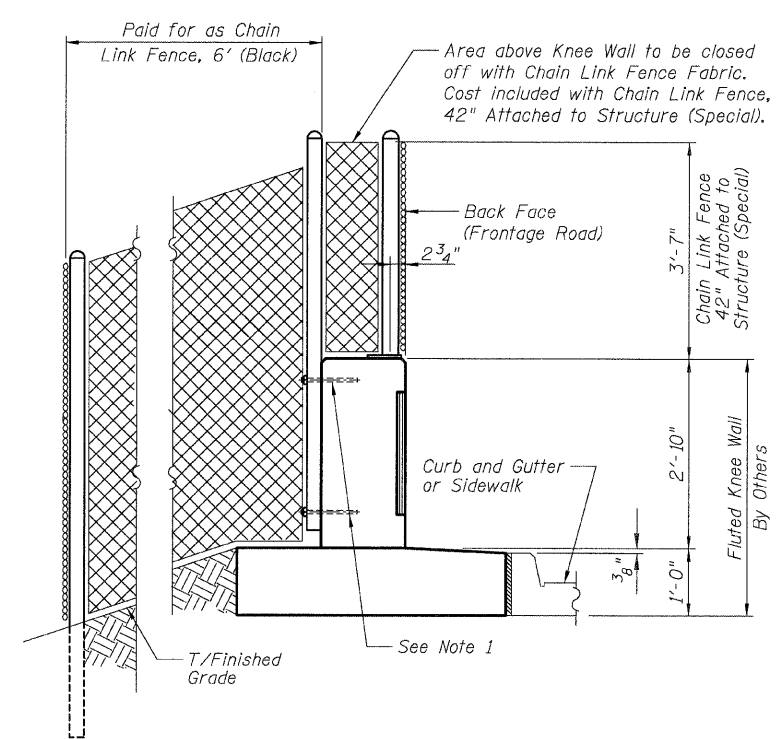
DETAIL K



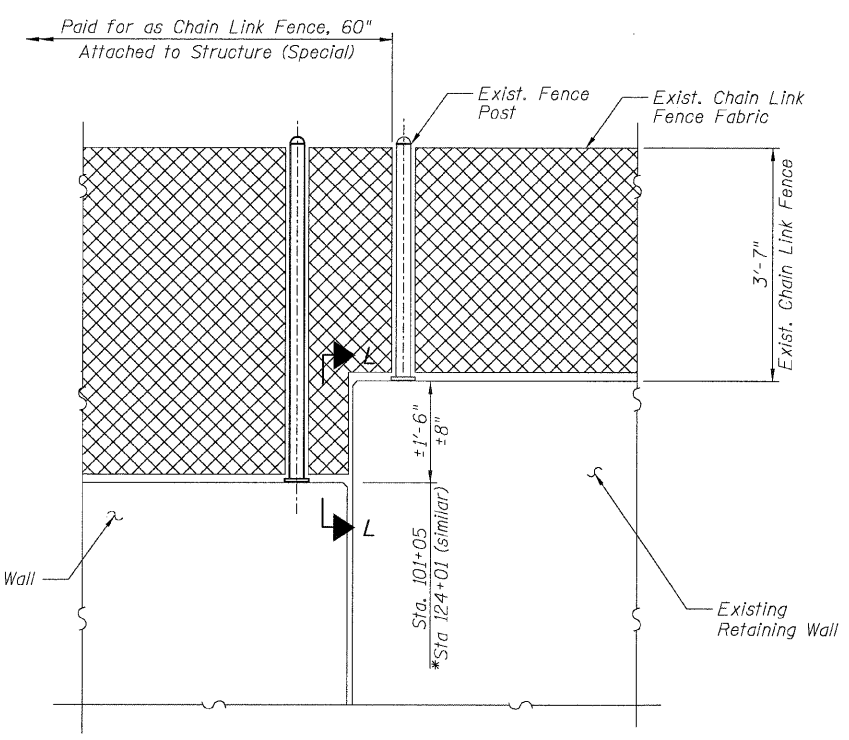
SECTION M-M

NOTES:  
All steel components shall be galvanized according to Article 509.05 of the Standard Specifications.  
Cost of all work in Section M-M shall be included in Chain Link Fence, 42" Attached to Structure (Special).

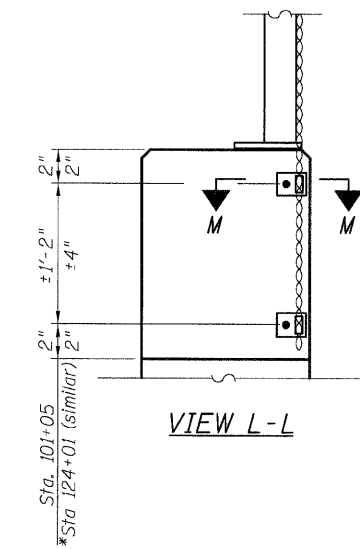
\*NOTE:  
Detail at Sta. 124+01 similar except fence at each side of step is Chain Link Fence, 42" Attached to Structure (Special).



SECTION J-J



SECTION K-K



VIEW L-L

NOTES  
1. Contractor shall drill and grout 5/8" dia. anchor rods in accordance with Art. 584 of the Std. Specs. Provide hex nut and 1/4" dia. washer. Anchor rods, nuts and washers shall be galvanized in accordance with Art. 1006.09 of the Std. Specs. Embedment shall be according to manufacturer's specifications using HVA adhesive anchor rod system as manufactured by Hilli, Inc. or approved equal. Weld nuts to anchor rods after installation. Cost included with Chain Link Fence, 6' (Black).

BOWMAN, BARRETT & ASSOCIATES INC.  
CONSULTING ENGINEERS  
Chicago, Illinois  
312.228.0100  
www.bbainc.com

REVISIONS	
NAME	DATE
REVISED	11/5/08

SHEET SD-3  
ILLINOIS DEPARTMENT OF TRANSPORTATION  
F.A.I. 94/90 (DAN RYAN EXPRESSWAY)  
SB FENCE AND GATES FROM 47TH PLACE TO 31ST ST  
CHAIN LINK FENCE & GATE DETAILS 2  
SCALE: NTS  
DATE: 10/23/08  
DRAWN BY: TL  
CHECKED BY: BLU

14860carddwg\13\SHEETS\60A05.dwg 11/5/2008 5:44:07 PM