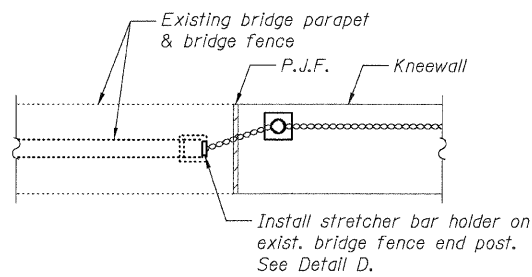
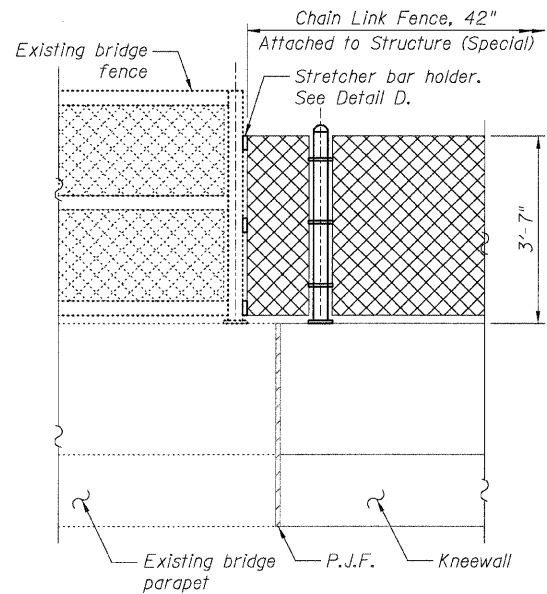


F.A.I.	SECTION	COUNTY	TOTAL SHEETS	SHEET NO.
94/90	2005-034I	COOK	41	38A
STA.	TO STA.			
FED. ROAD DIST. NO.	ILLINOIS	FED. AID PROJECT		

60A05

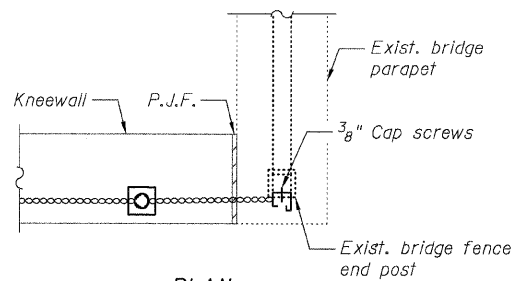


PLAN

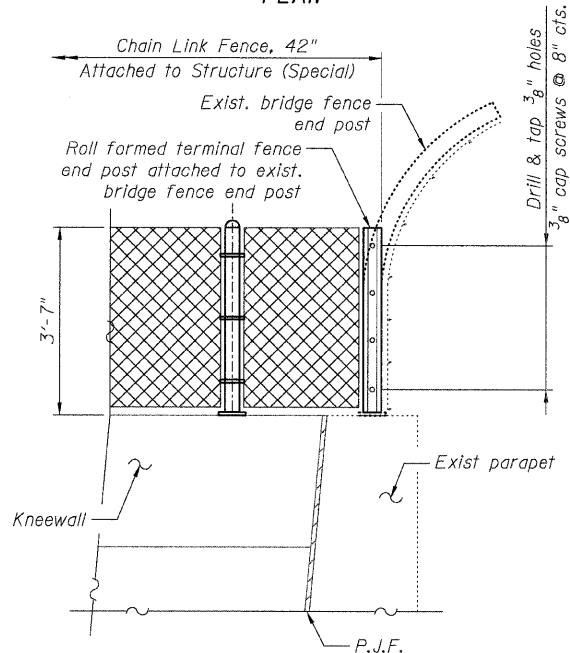


ELEVATION

DETAIL C



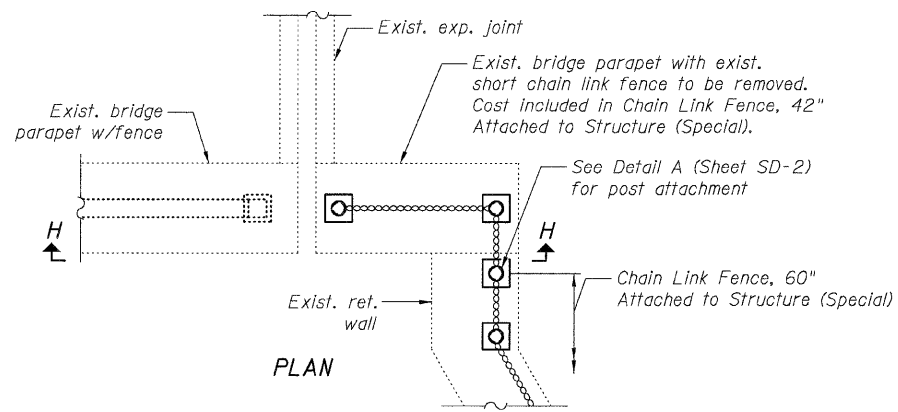
PLAN



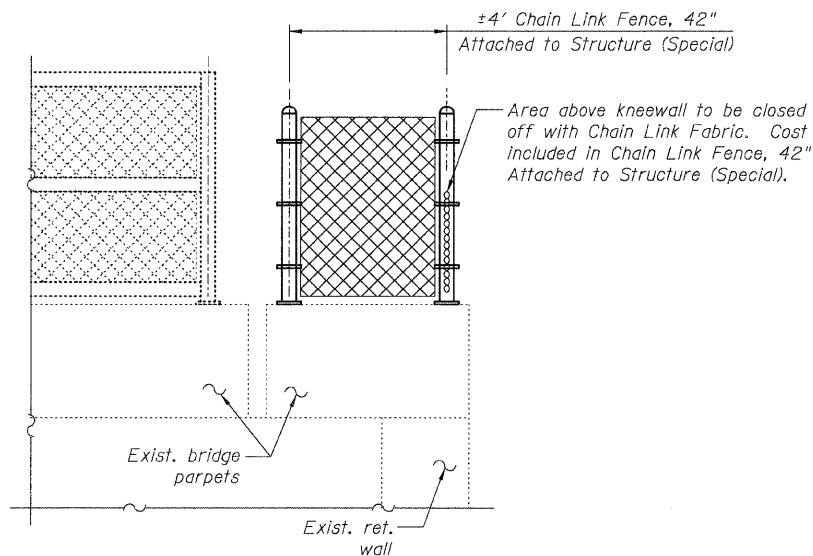
ELEVATION

DETAIL G

NOTE:  
If closure R has been installed on existing bridge end post, remove screws on bottom 3'-7" portion. Drill holes in fence rolled terminal post to match exist. holes & reinstall screws thru post and closure R. Cost included in Chain Link Fence, 42" Attached to Structure (Special).

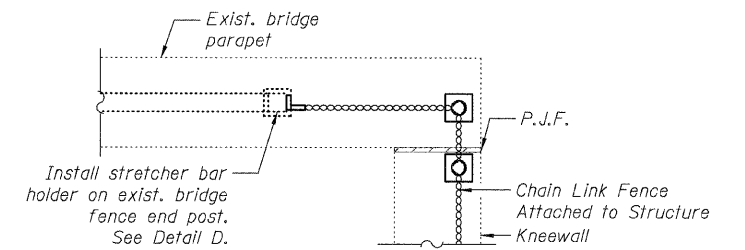


PLAN

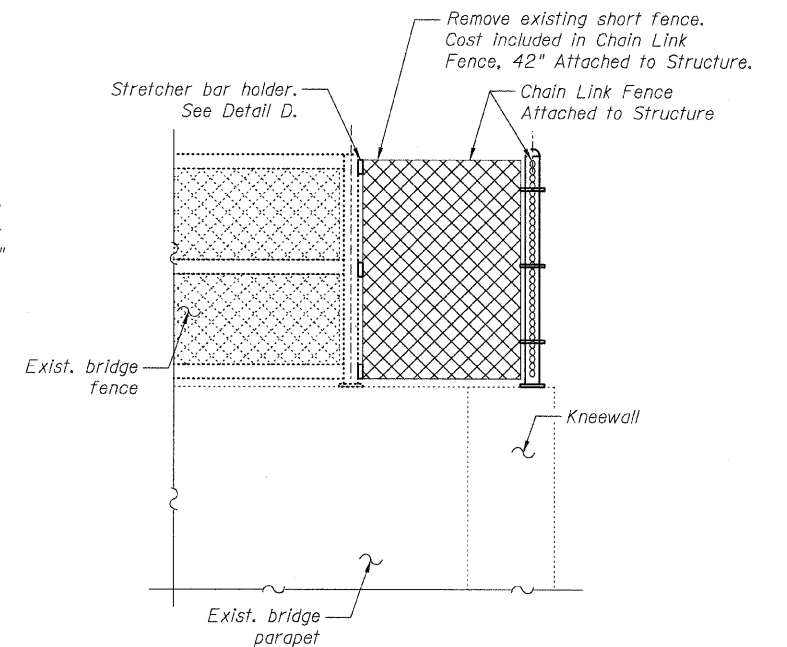


VIEW H-H

DETAIL H

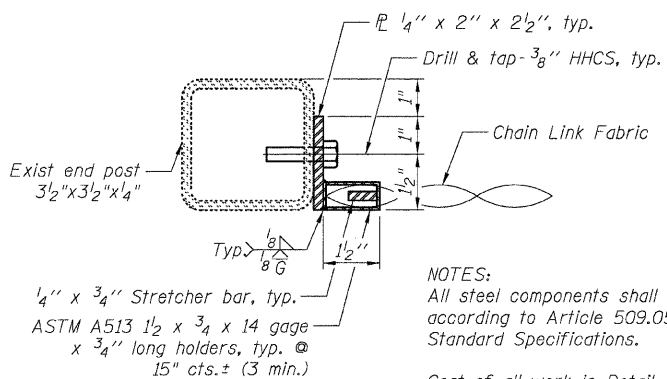


PLAN



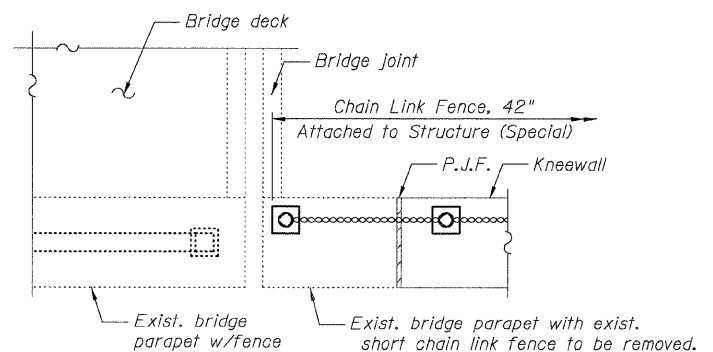
ELEVATION

DETAIL I



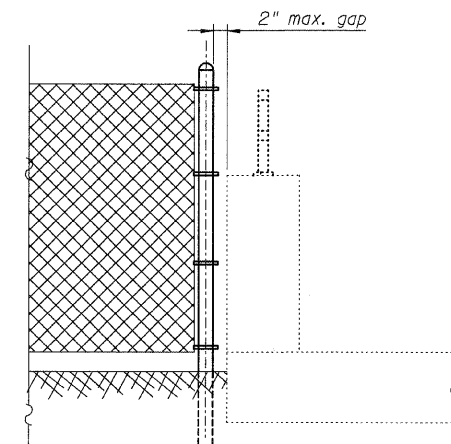
DETAIL D

NOTES:  
All steel components shall be galvanized according to Article 509.05 of the Standard Specifications.  
Cost of all work in Detail D shall be included in Chain Link Fence, 42" Attached to Structure (Special).



PLAN

DETAIL E



ELEVATION

DETAIL F

BOWMAN, BARRETT & ASSOCIATES INC.  
CONSULTING ENGINEERS  
Chicago, Illinois  
312.228.0100  
www.bbainc.com

REVISIONS	
NAME	DATE
NEW SHEET	11/5/08

SHEET SD-4  
ILLINOIS DEPARTMENT OF TRANSPORTATION  
F.A.I. 94/90 (DAN RYAN EXPRESSWAY)  
SB FENCE AND GATES FROM 47TH PLACE TO 31ST ST  
CHAIN LINK FENCE & GATE DETAILS 3  
SCALE: NTS  
DATE: 10/23/08  
DRAWN BY: LAM  
CHECKED BY: DF

11/5/2008 11:53:01 PM