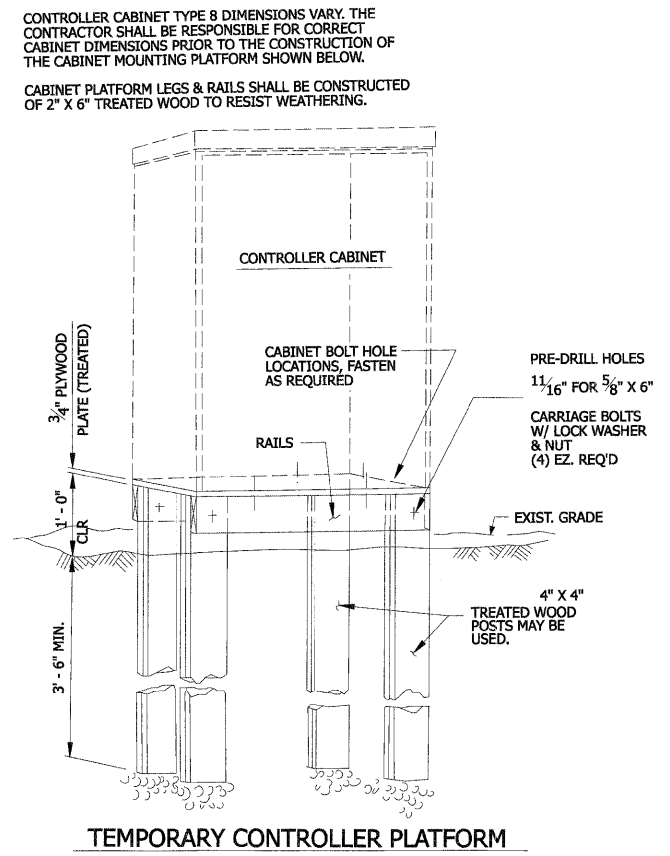
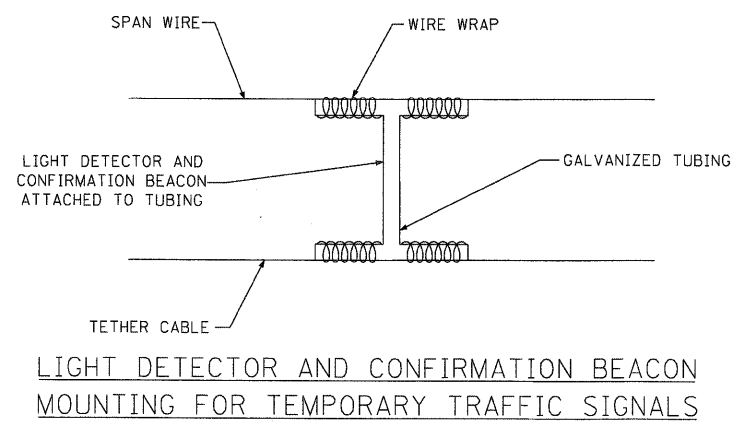
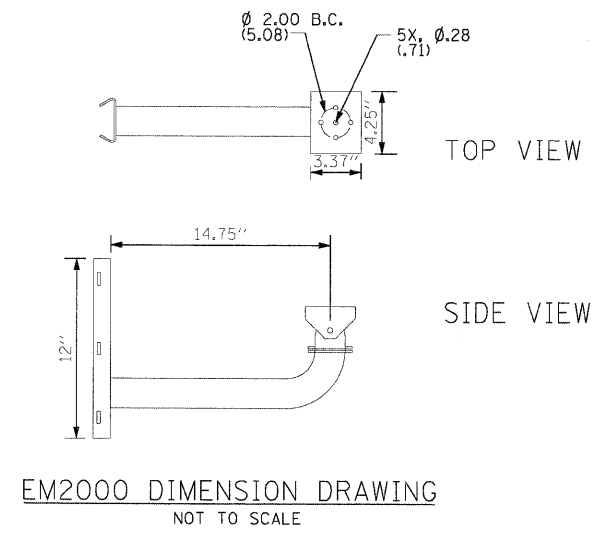


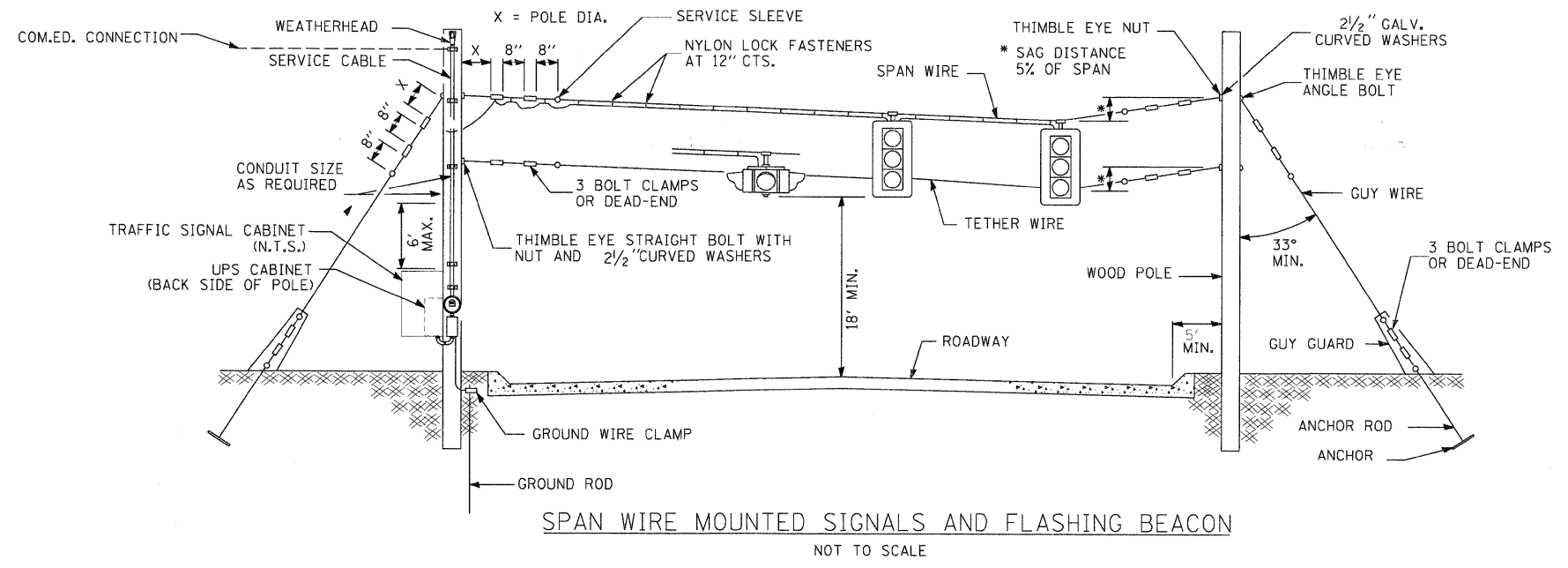
CAMERA MOUNTED TO WOOD POLE
NOT TO SCALE

NOTES:
1. SEE SHEET LTG-4 FOR POLE DETAILS



CONTROLLER CABINET TYPE & DIMENSIONS VARY. THE CONTRACTOR SHALL BE RESPONSIBLE FOR CORRECT CABINET DIMENSIONS PRIOR TO THE CONSTRUCTION OF THE CABINET MOUNTING PLATFORM SHOWN BELOW.

CABINET PLATFORM LEGS & RAILS SHALL BE CONSTRUCTED OF 2" X 6" TREATED WOOD TO RESIST WEATHERING.



SIG-3



FILE NAME =	DESIGNED - CRH	REVISED -	STATE OF ILLINOIS DEPARTMENT OF TRANSPORTATION	F.A.P. ROUTE 870 (ILLINOIS 53) OVER EAST BRANCH DUPAGE RIVER		F.A. RTE:	SECTION	COUNTY	TOTAL SHEETS	SHEET NO.	
P:_2002\2020019.004\Cadd\Sheet Files\Part 1\SIG03.sht	DRAWN - CRH	REVISED -		TEMPORARY TRAFFIC SIGNAL PLAN STANDARD DETAIL		870	533 X-B-R-1	DUPAGE	87	33	
PLOT SCALE =	CHECKED - MJL	REVISED -		SCALE: N.T.S.	SHEET NO. 33 OF	SHEETS	STA.	TO STA.	CONTRACT NO. 60B95		
PLOT DATE = 10/9/2008	DATE - 10/15/08	REVISED -		FED. ROAD DIST. NO. - ILLINOIS FED. AID PROJECT							