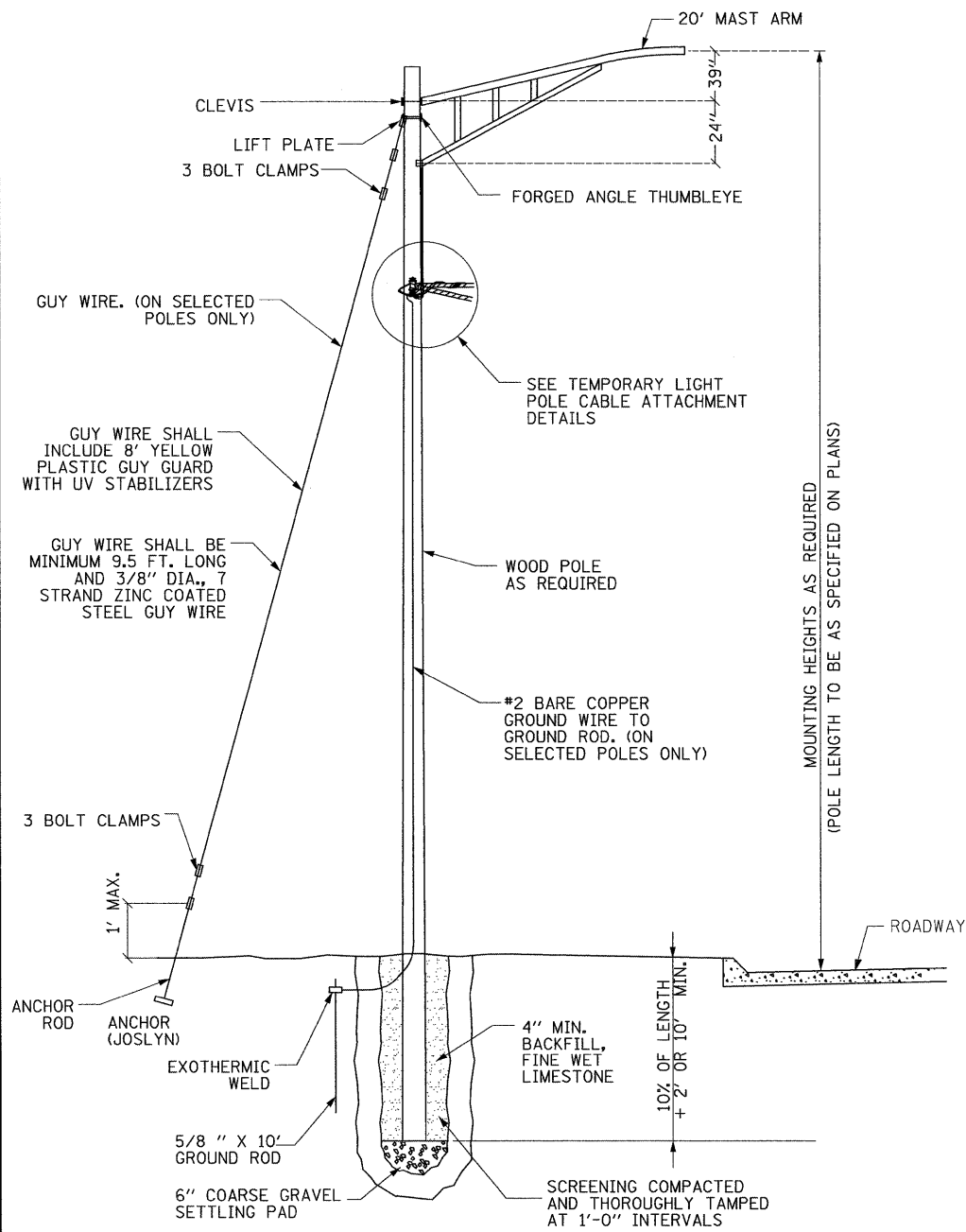
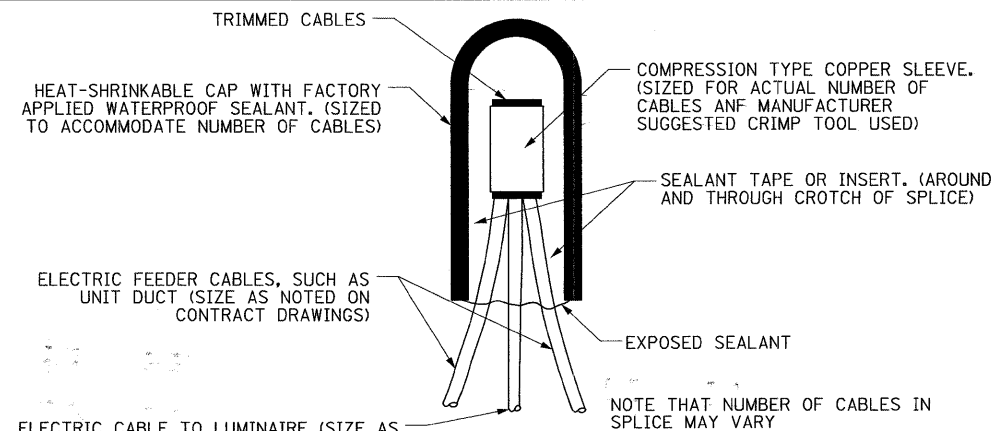


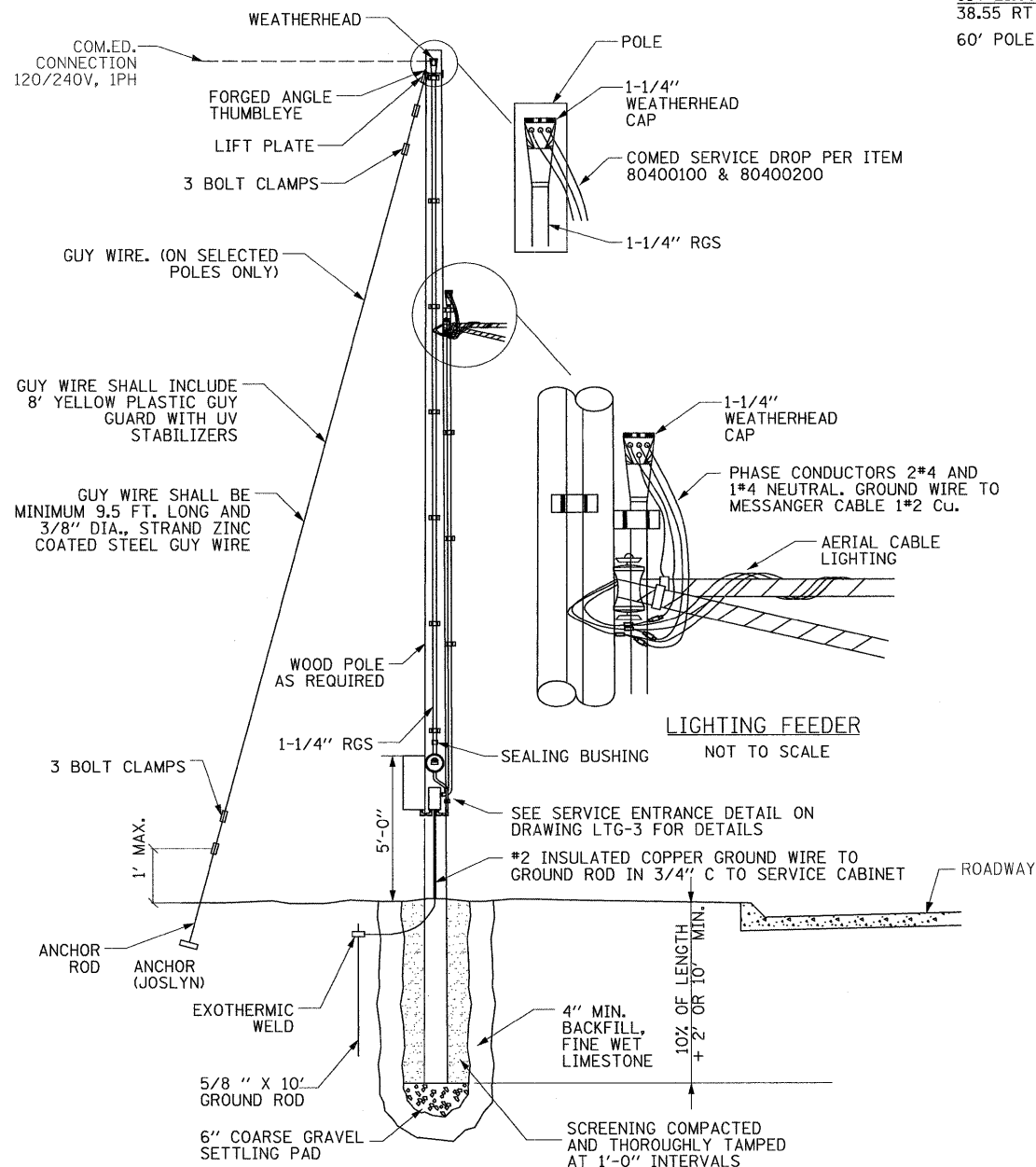
TEMPORARY LIGHT POLE CABLE ATTACHMENT DETAILS
NOT TO SCALE



TEMPORARY LIGHT POLE DETAIL
NOT TO SCALE

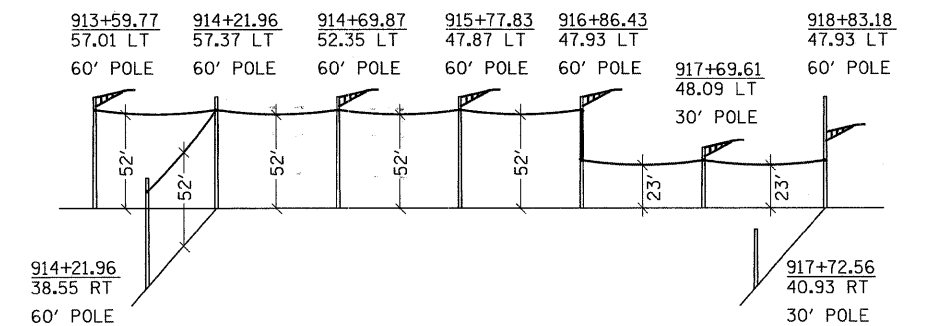


TYPICAL SPLICE DETAIL
NOT TO SCALE

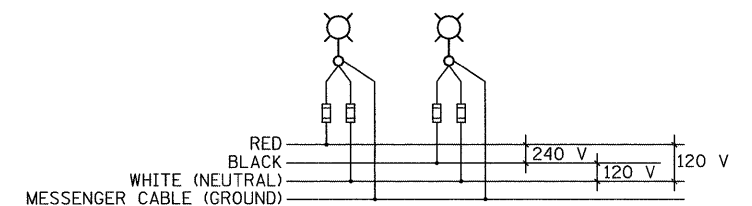


SERVICE ENTRANCE POLE DETAIL
NOT TO SCALE

COST OF TEMPORARY POLE CAP MODIFICATION AND CONNECTION HARDWARE SHALL BE INCIDENTAL TO AERIAL CABLE PAY ITEM.



WIRING ELEVATION
NOT TO SCALE



TYPICAL POLE TO POLE
SINGLE LINE WIRING DIAGRAM
NOT TO SCALE

FILE NAME =	DESIGNED - HS	REVISED 11/19/08
P:\2002\020019\004\Cadd\Sheet Files\Part 1\37.LIT E04.sht	DRAWN - HS	REVISED -
PLOT SCALE = N.T.S	CHECKED - CS	REVISED -
PLOT DATE = 11/21/2008	DATE - 10/15/08	REVISED -

STATE OF ILLINOIS
DEPARTMENT OF TRANSPORTATION

F.A.P. ROUTE 870 (ILLINOIS 53) OVER EAST BRANCH DUPAGE RIVER			
TEMPORARY LIGHTING - DETAILS			
SCALE: N.T.S	SHEET NO.	OF SHEETS	STA. TO STA.

F.A. RTE.	SECTION	COUNTY	TOTAL SHEETS	SHEET NO.
870	533 X-B-R-1	DUPAGE	87	37
CONTRACT NO. 60B95				
FED. ROAD DIST. NO. - [ILLINOIS] FED. AID PROJECT				

LTG-4

JACOBS