

WESTBOUND PG

Location	Station	Offset (ft.)	Theoretical Grade Elevations
W. End E. Appr. Pvmnt.	916+88.50	-4.00	692.25
A	916+98.50	-4.00	692.21
B	917+08.50	-4.00	692.16
E. End E. Appr. Pvmnt.	917+18.50	-4.00	692.11

EASTBOUND PG

Location	Station	Offset (ft.)	Theoretical Grade Elevations
W. End E. Appr. Pvmnt.	916+88.50	4.00	692.25
A	916+98.50	4.00	692.21
B	917+08.50	4.00	692.16
E. End E. Appr. Pvmnt.	917+18.50	4.00	692.11

STAGE CONSTRUCTION JOINT

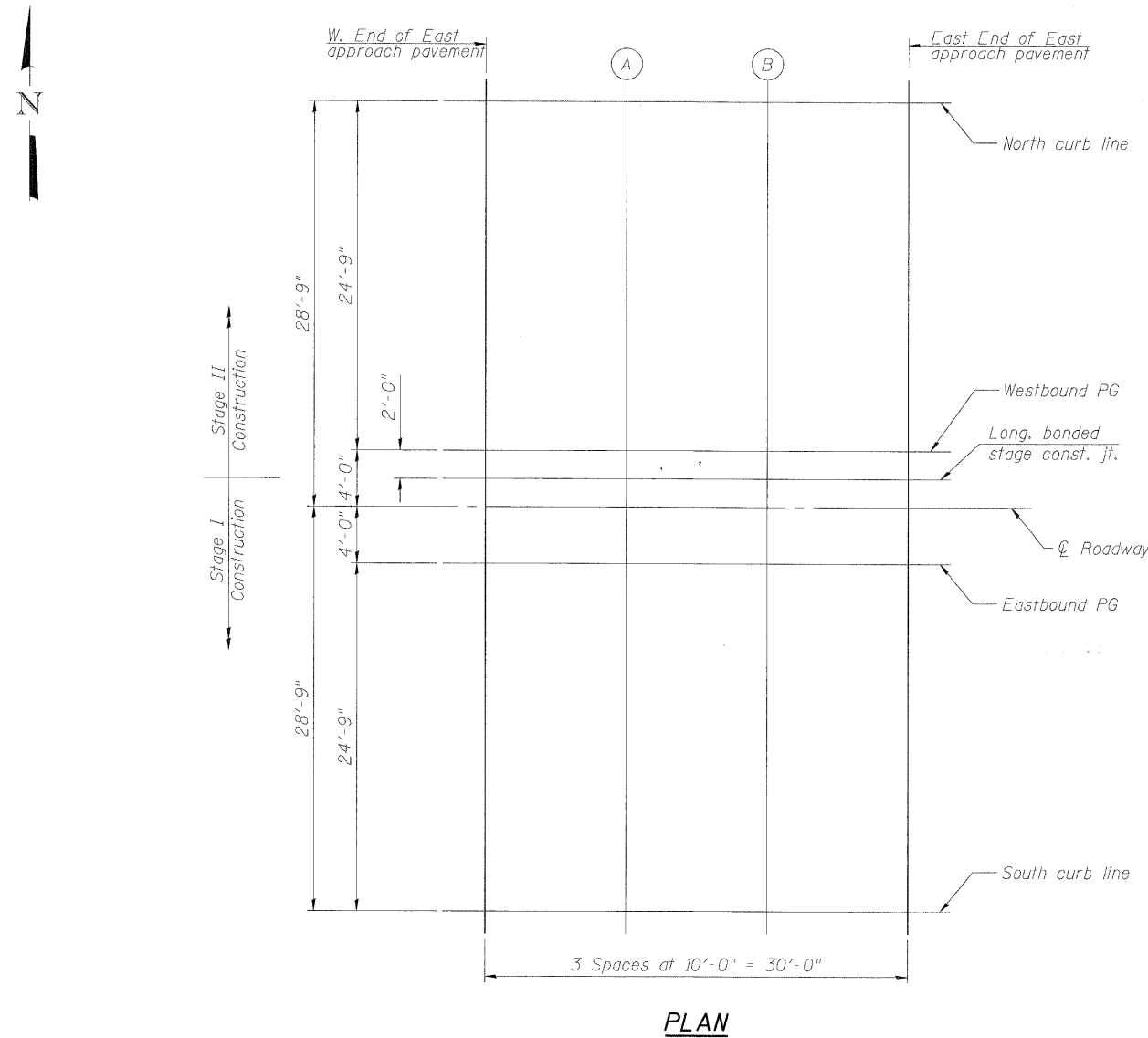
Location	Station	Offset (ft.)	Theoretical Grade Elevations
W. End E. Appr. Pvmnt.	916+88.50	-2.00	692.29
A	916+98.50	-2.00	692.25
B	917+08.50	-2.00	692.20
E. End E. Appr. Pvmnt.	917+18.50	-2.00	692.15

SOUTH CURB LINE

Location	Station	Offset (ft.)	Theoretical Grade Elevations
W. End E. Appr. Pvmnt.	916+88.50	28.75	691.76
A	916+98.50	28.75	691.72
B	917+08.50	28.75	691.67
E. End E. Appr. Pvmnt.	917+18.50	28.75	691.61

NORTH CURB LINE

Location	Station	Offset (ft.)	Theoretical Grade Elevations
W. End E. Appr. Pvmnt.	916+88.50	-28.75	691.76
A	916+98.50	-28.75	691.72
B	917+08.50	-28.75	691.67
E. End E. Appr. Pvmnt.	917+18.50	-28.75	691.61



PLAN

FILE NAME - P:\2002\022019_004\Cadd\Structure\Sheet\022019_004\022019_004.dwg



DESIGNED - JRW	REVISED -
DRAWN - FJD	REVISED -
CHECKED - JSS	REVISED -
DATE - 10/15/08	REVISED -

**STATE OF ILLINOIS
DEPARTMENT OF TRANSPORTATION**

F.A.P. ROUTE 870 (ILLINOIS 53) OVER EAST BRANCH DUPAGE RIVER		F.A. RTE.	SECTION	COUNTY	TOTAL SHEETS	SHEET NO.
TOP OF EAST APPROACH SLAB ELEVATIONS		870	533-X-B-R-1	DUPAGE	87	46
SCALE:	SHEET NO.	OF	SHEETS	STA.	TO	STA.
				FED. ROAD DIST. NO. - ILLINOIS FED. AID PROJECT		
CONTRACT NO. 60B95						