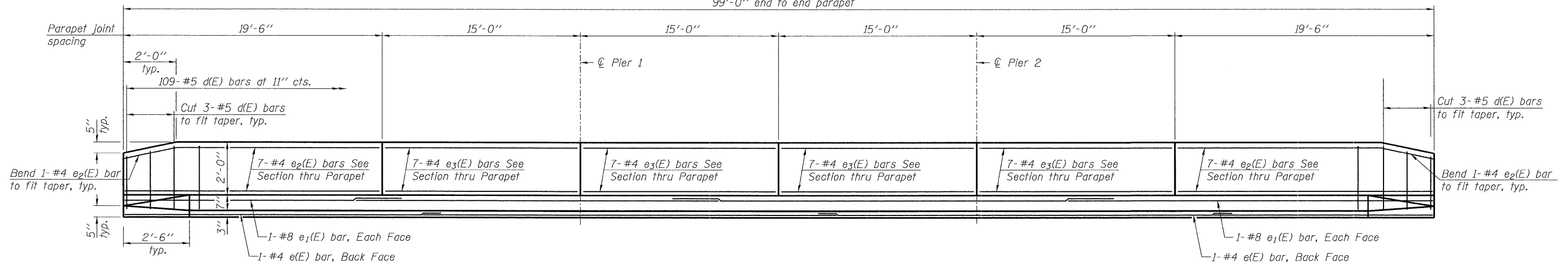
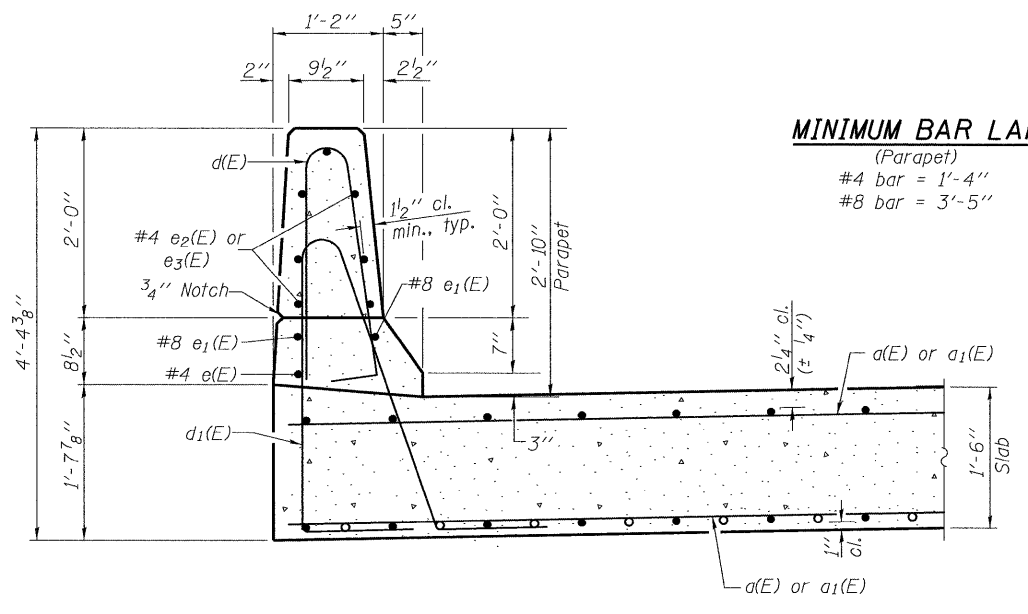


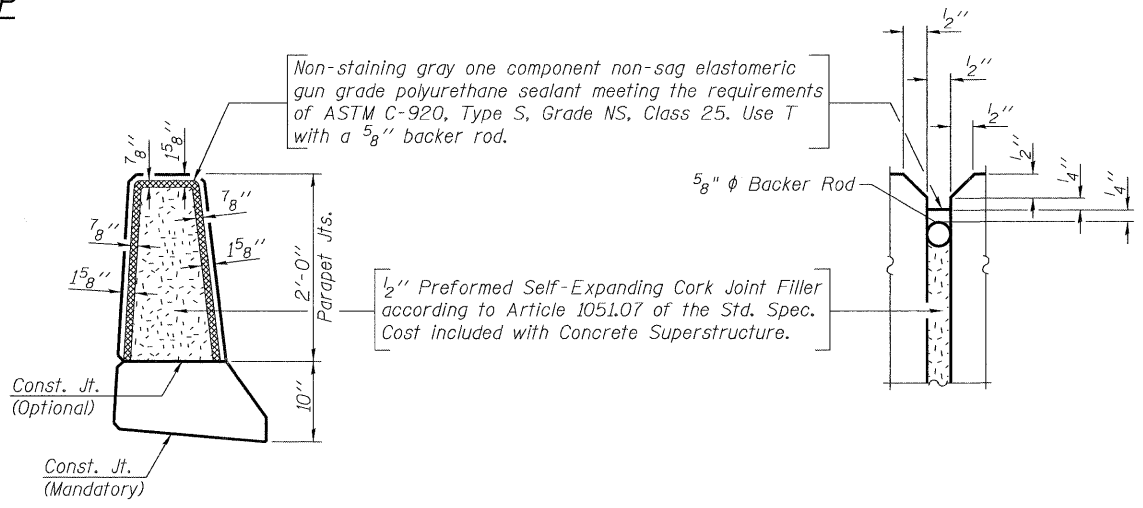
99'-0" end to end parapet



INSIDE ELEVATION OF PARAPET



MINIMUM BAR LAP
(Parapet)
#4 bar = 1'-4"
#8 bar = 3'-5"

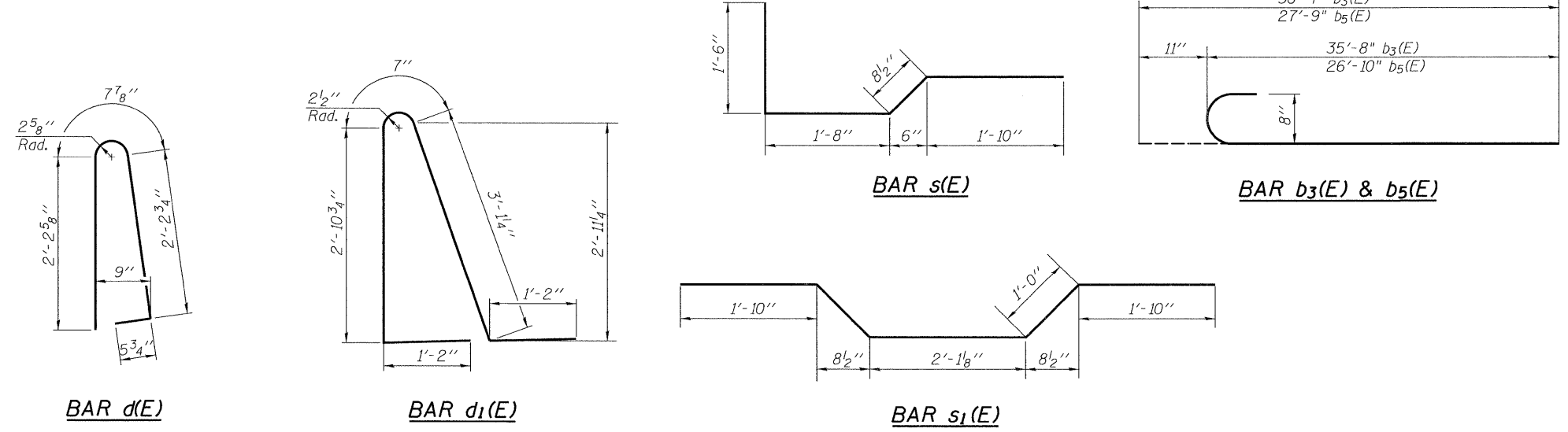


PARAPET JOINT DETAILS

SUPERSTRUCTURE BILL OF MATERIAL

Bar	No.	Size	Length	Shape
d(E)	178	#5	31'-11"	—
a1(E)	178	#5	28'-0"	—
b(E)	124	#8	30'-6"	—
b1(E)	124	#8	24'-9"	—
b2(E)	120	#8	24'-9"	—
b3(E)	124	#8	36'-7"	U
b4(E)	32	#8	32'-9"	—
b5(E)	120	#8	27'-9"	U
b6(E)	30	#8	23'-0"	—
d(E)	218	#5	5'-7"	∩
d1(E)	218	#5	8'-11"	∩
e(E)	8	#4	26'-1"	—
e1(E)	16	#8	28'-2"	—
e2(E)	28	#4	19'-1"	—
e3(E)	56	#4	14'-8"	—
s(E)	124	#5	5'-9"	∩
s1(E)	124	#5	7'-10"	∩
Reinforcement Bars, Epoxy Coated		Pound	70,290	
Concrete Superstructure		Cu. Yds.	355.7	
Bar Splicers (E)		Each	178	

SECTION THRU PARAPET



FILE NAME = P:\2002\0220015\004\Cadd\Structural\SH022-0181 Final\Sheet\0220181-60B95-012-RL.DTL.dgn

DESIGNED - LJH	REVISED - 11/24/08
DRAWN - FJD	REVISED -
CHECKED - JSS	REVISED -
DATE - 10/15/08	REVISED -

**STATE OF ILLINOIS
DEPARTMENT OF TRANSPORTATION**

F.A.P. ROUTE 870 (ILLINOIS 53) OVER EAST BRANCH DUPAGE RIVER
BRIDGE RAILING DETAILS

F.A.R.T.E. 870	SECTION 533-X-B-R-1	COUNTY DuPAGE	TOTAL SHEETS 87	SHEET NO. 49
SCALE: SHEET NO. OF SHEETS STA. TO STA.		CONTRACT NO. 60B95		

