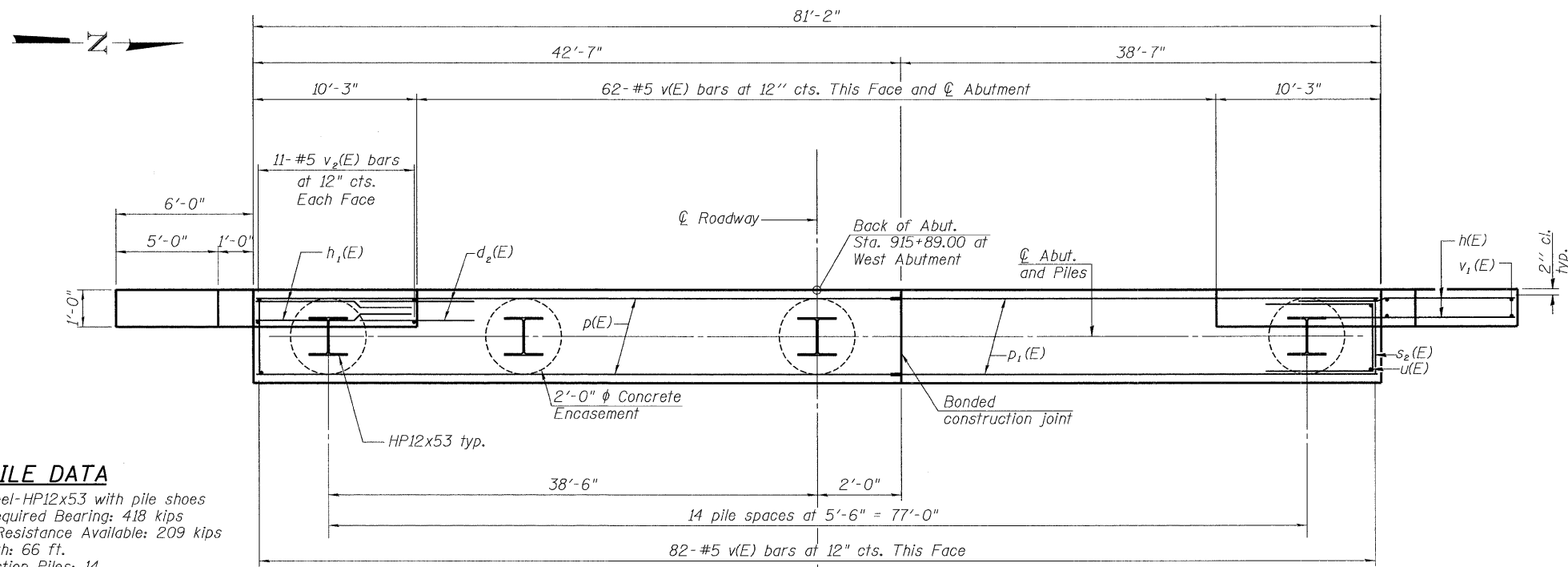


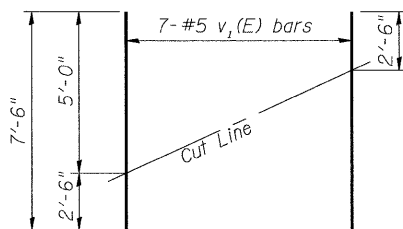
ELEVATION



PLAN

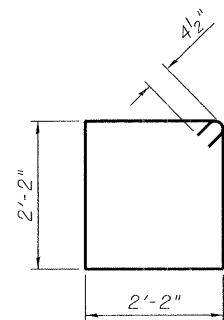
PILE DATA

Type: Steel-HP12x53 with pile shoes
 Nominal Required Bearing: 418 kips
 Factored Resistance Available: 209 kips
 Est. Length: 66 ft.
 No. Production Piles: 14
 No. Test Piles: 1

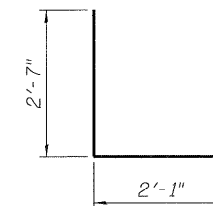


FIELD CUTTING DIAGRAM

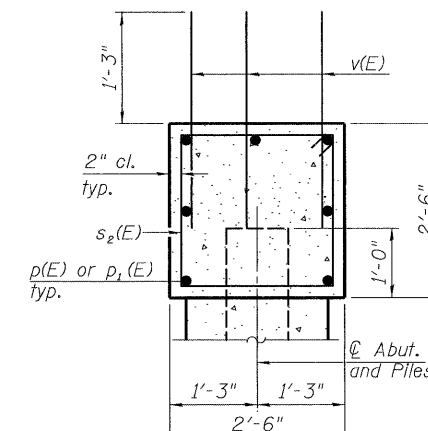
Order v1(E) full length. Cut as shown and use remainder of bars in opposite face.



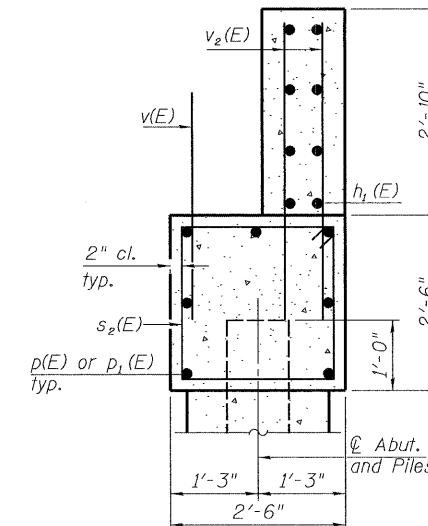
BAR s2(E)



BAR u(E)



SECT. THRU ABUT.



SECTION A-A

BILL OF MATERIAL

Bar	No.	Size	Length	Shape
d2(E)	12	#5	4'-4"	—
h(E)	32	#5	8'-9"	—
h1(E)	16	#5	9'-11"	—
p(E)	7	#7	42'-2"	—
p1(E)	7	#7	38'-3"	—
s2(E)	90	#4	9'-5"	□
u(E)	8	#6	7'-3"	—
v(E)	206	#5	2'-9"	—
v1(E)	14	#5	7'-6"	—
v2(E)	44	#5	4'-2"	—
Structure Excavation			Cu. Yd.	6
Concrete Structures			Cu. Yd.	22.9
Reinforcement Bars, Epoxy Coated			Pound	3,210
Bar Splicers (E)			Each	7
Furnishing Steel Piles HP12x53			Foot	924
Driving Piles			Foot	924
Pile Shoes			Each	15
Test Pile			Each	1
Concrete Encasement			Cu. Yd.	5.3

STR-13 OF 26



DESIGNED - SJB	REVISED - 11/24/08
DRAWN - FJD	REVISED -
CHECKED - JSS	REVISED -
DATE - 10/15/08	REVISED -

**STATE OF ILLINOIS
 DEPARTMENT OF TRANSPORTATION**

F.A.P. ROUTE 870 (ILLINOIS 53) OVER EAST BRANCH DUPAGE RIVER

WEST ABUTMENT

SCALE: SHEET NO. OF SHEETS STA. TO STA.

F.A. RTE. 870	SECTION 533-X-B-R-1	COUNTY DuPAGE	TOTAL SHEETS 87	SHEET NO. 50
CONTRACT NO. 60B95			FED. ROAD DIST. NO. ILLINOIS FED. AID PROJECT	

FILE NAME = P:_2002\022019\08A\Cadd\Structural\Sheet\0220181-Final\Sheet\0220181-60B95-013-WABUT.dgn