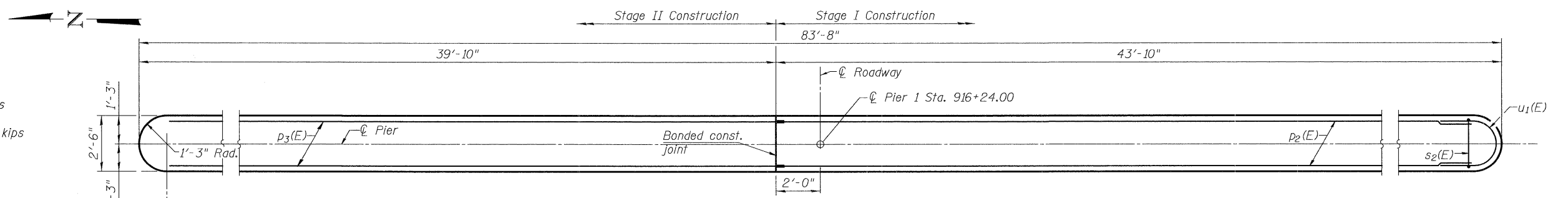
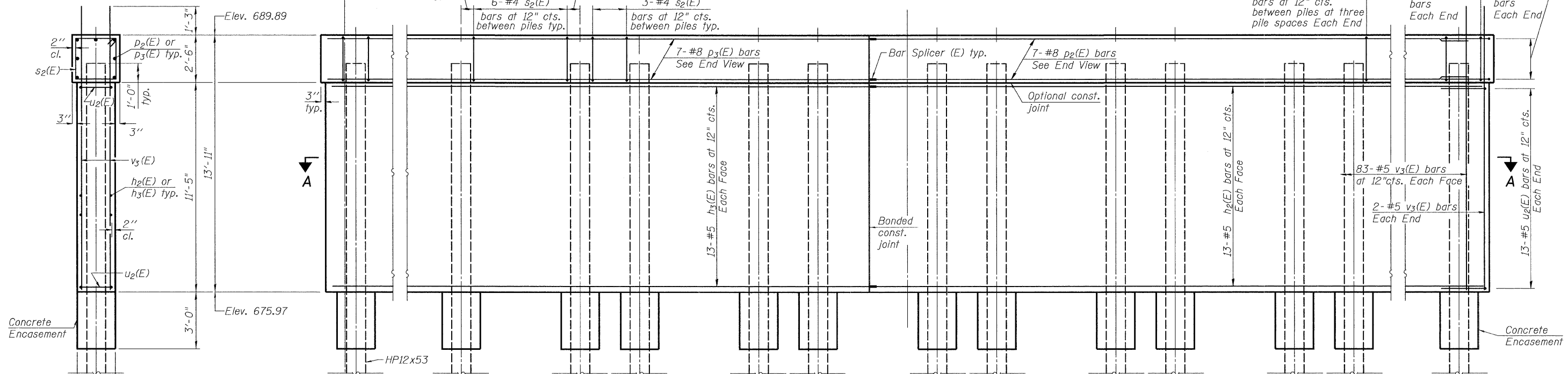


PILE DATA

Type: Steel-HP12x53 with pile shoes
 Nominal Required Bearing: 418 kips
 Factored Resistance Available: 209 kips
 Est. Length: 66 ft.
 No. Production Piles: 16
 No. Test Piles: 1

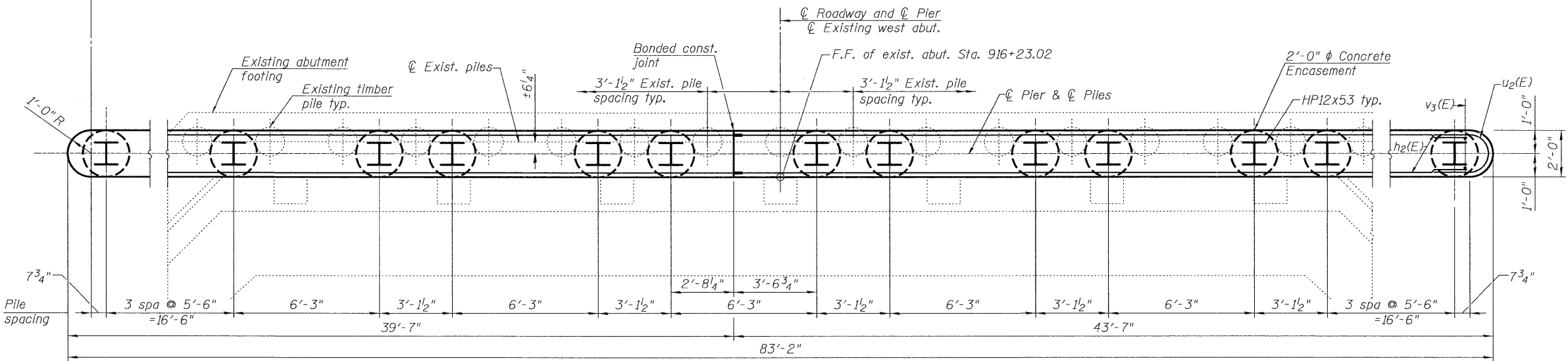


TOP PLAN



ELEVATION
(Looking East)

END VIEW



SECTION A-A

NOTES:

- See Sheet 16 of 26 for $s_2(E)$, $u_1(E)$ and $u_2(E)$ details and Bill of Material.
- If a portion of the pier wall or concrete encasement is under water, reinforcement may be placed underwater into forms. Concrete shall be tremied according to Article 503.08 of the Standard Specifications to an elevation of 1'-0" above the water line at the time of construction.

FILE NAME = P:\2002\022001\004\Cadd\Structure\Sheet\022001\01-Final\Sheet\022001\01-Final\01-Final.dgn



DESIGNED - L.J.H.	REVISED - 11/24/08	STATE OF ILLINOIS DEPARTMENT OF TRANSPORTATION		F.A.P. ROUTE 870 (ILLINOIS 53) OVER EAST BRANCH DUPAGE RIVER		F.A. RTE. 870	SECTION 533-X-B-R-1	COUNTY DuPAGE	TOTAL SHEETS 87	SHEET NO. 52
DRAWN - F.J.D.	REVISIONS -			PIER 1				CONTRACT NO. 60B95		
CHECKED - J.S.S.	REVISIONS -			SCALE: SHEET NO. OF SHEETS STA. TO STA.		FED. ROAD DIST. NO. - ILLINOIS		FED. AID PROJECT		
DATE - 10/15/08	REVISIONS -									