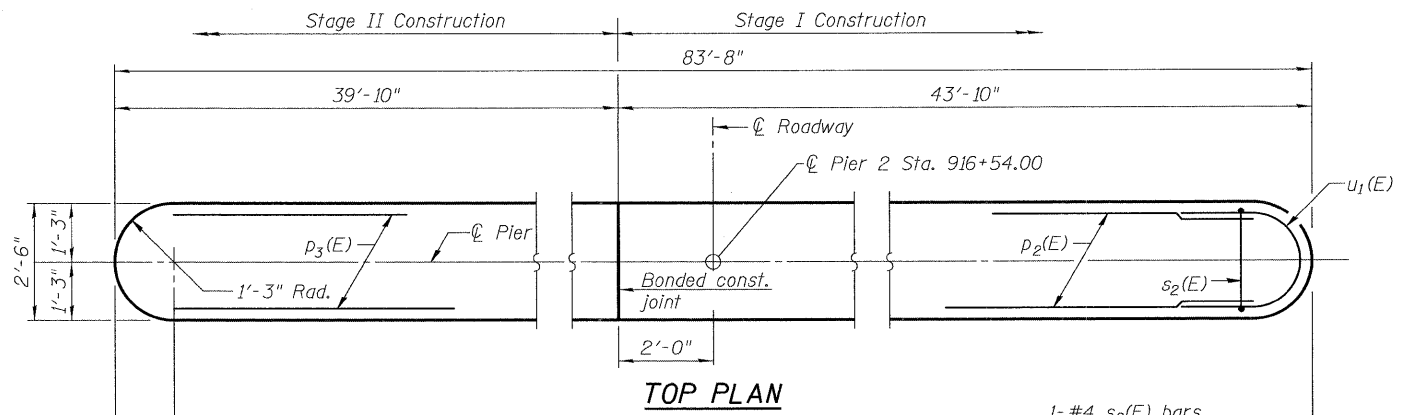
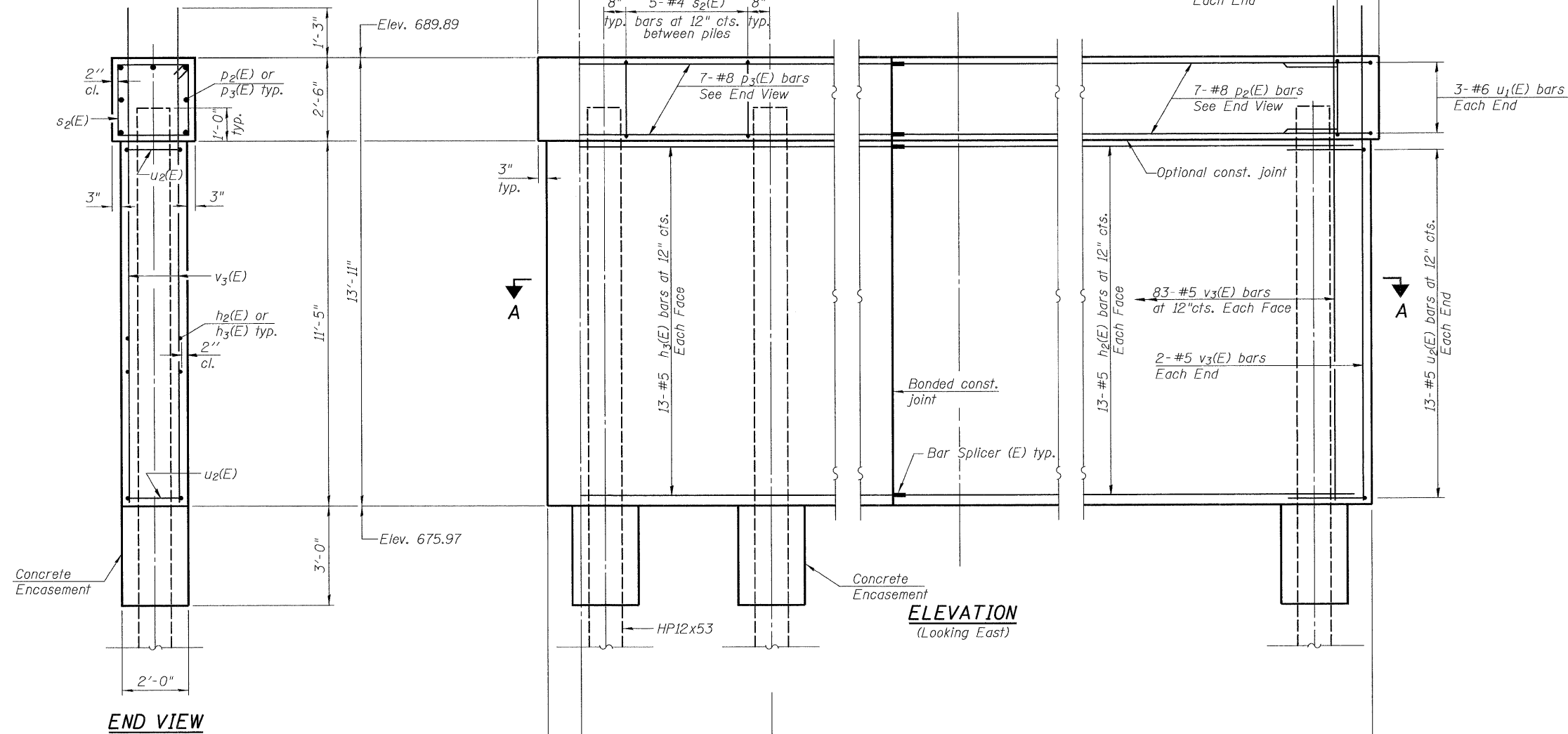


PILE DATA

Type: Steel-HP12x53 with pile shoes
 Nominal Required Bearing: 418 kips
 Factored Resistance Available: 209 kips
 Est. Length: 66 ft.
 No. Production Piles: 16
 No. Test Piles: 1



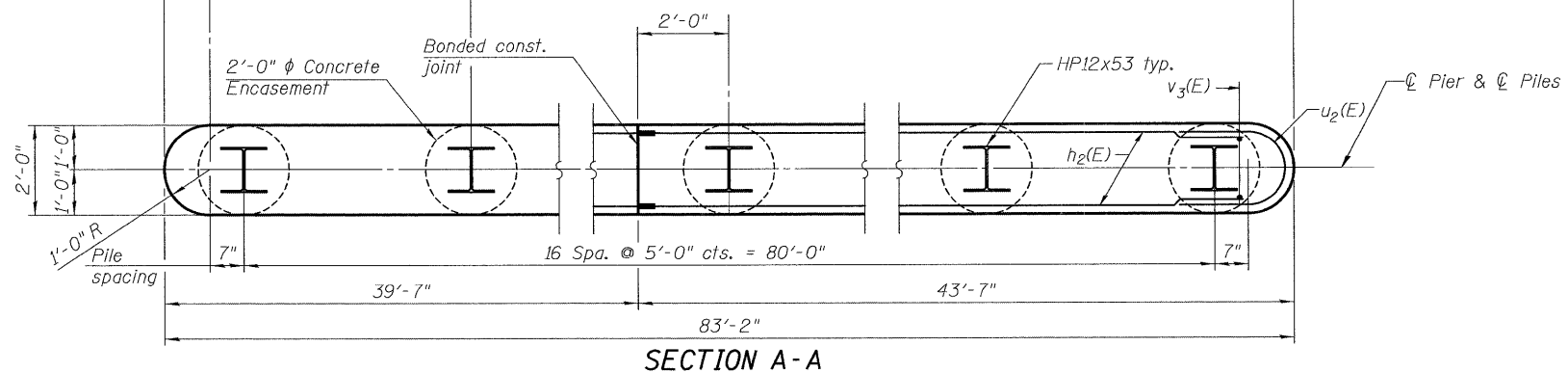
TOP PLAN



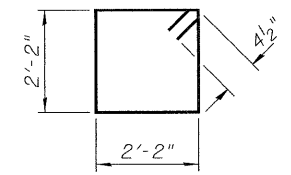
ELEVATION
(Looking East)

NOTES:

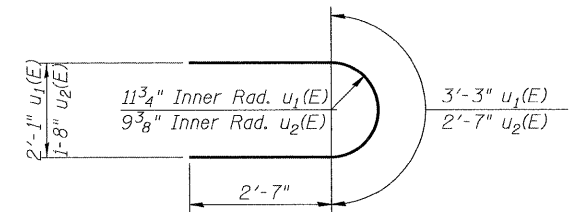
- If a portion of the pier wall or concrete encasement is under water, reinforcement may be placed underwater into forms. Concrete shall be tremied according to Article 503.08 of the Standard Specifications to an elevation of 1'-0" above the water line at the time of construction.



SECTION A-A



BAR s2(E)



BARS u1(E) & u2(E)

BILL OF MATERIAL FOR TWO PIERS

Bar	No.	Size	Length	Shape
h2(E)	52	#5	42'-4"	—
h3(E)	52	#5	38'-5"	—
p2(E)	14	#8	42'-4"	—
p3(E)	14	#8	38'-5"	—
s2(E)	165	#4	9'-5"	□
u1(E)	12	#6	8'-5"	U
u2(E)	52	#5	7'-9"	U
v3(E)	340	#5	15'-0"	—
Structure Excavation		Cu. Yd.	54	
Concrete Structures		Cu. Yd.	178.6	
Reinforcement Bars, Epoxy Coated		Pound	14,320	
Bar Splicers		Each	66	
Furnishing Steel Piles HP12x53		Foot	2,112	
Driving Piles		Foot	2,112	
Pile Shoes		Each	34	
Test Piles		Each	2	
Concrete Encasement		Cu. Yd.	11.8	
Underwater Structure Excavation Protection - Location 1		Each	1	
Underwater Structure Excavation Protection - Location 2		Each	1	

STR-16 OF 26



DESIGNED - SJB	REVISED - 11/24/08
DRAWN - FJD	REVISED -
CHECKED - JSS	REVISED -
DATE - 10/15/08	REVISED -

STATE OF ILLINOIS
DEPARTMENT OF TRANSPORTATION

F.A.P. ROUTE 870 (ILLINOIS 53) OVER EAST BRANCH DUPAGE RIVER

PIER 2

SCALE: SHEET NO. OF SHEETS STA. TO STA.

F.A. RTE.	SECTION	COUNTY	TOTAL SHEETS	SHEET NO.
870	533-X-B-R-1	DUPAGE	87	53
FED. ROAD DIST. NO. - ILLINOIS FED. AID PROJECT			CONTRACT NO. 60B95	

FILE NAME = P:\2002\022019\804\Cadd\Structural\SN022-0181.Final\Sheet\0220181-60B95-01E-PR02.dgn