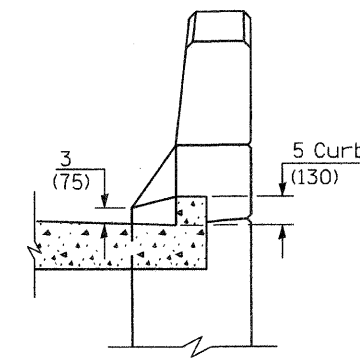
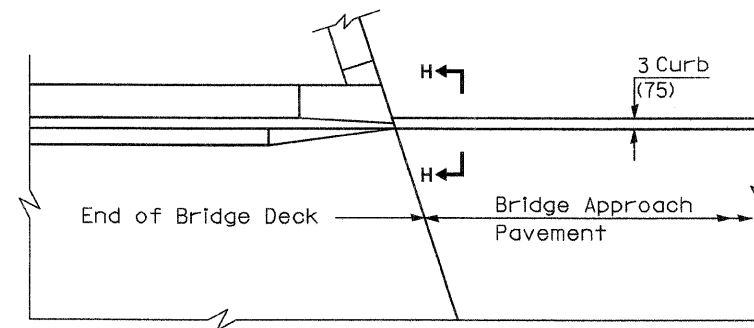


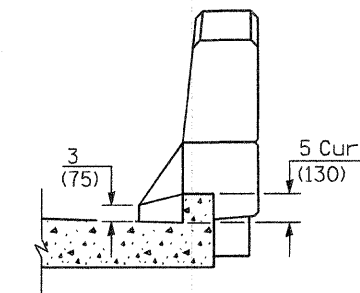
**PARAPET TO CURB TRANSITION
PILE BENT ABUTMENT**



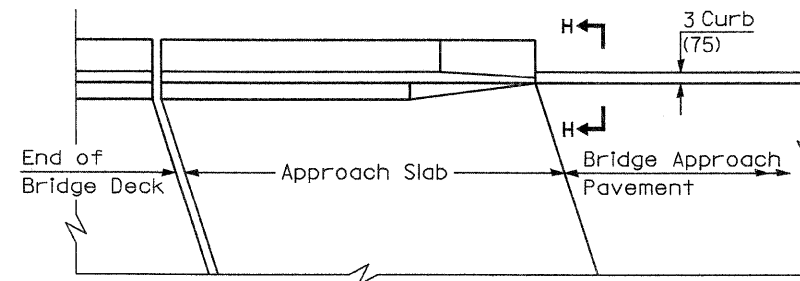
SECTION I - I



**PARAPET TO CURB TRANSITION
INTEGRAL ABUTMENT**



SECTION H - H



**PARAPET TO CURB TRANSITION
VAULTED ABUTMENT**

Illinois Department of Transportation
 APPROVED January 1, 2008
Ralph E. Anderson
 ENGINEER OF BRIDGES AND STRUCTURES
 APPROVED January 1, 2008
Ken E. Han
 ENGINEER OF DESIGN AND ENVIRONMENT

ISSUED 1-1-97

BRIDGE APPROACH PAVEMENT

(Sheet 4 of 4)

CONTRACT 60895 Sheet 630.