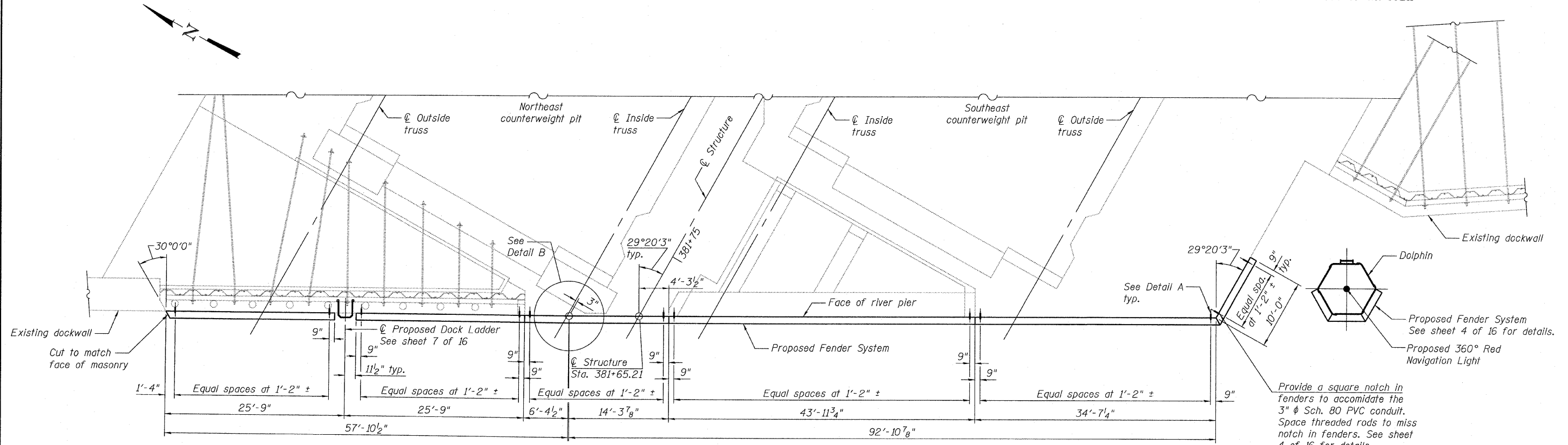


STATE OF ILLINOIS  
DEPARTMENT OF TRANSPORTATION

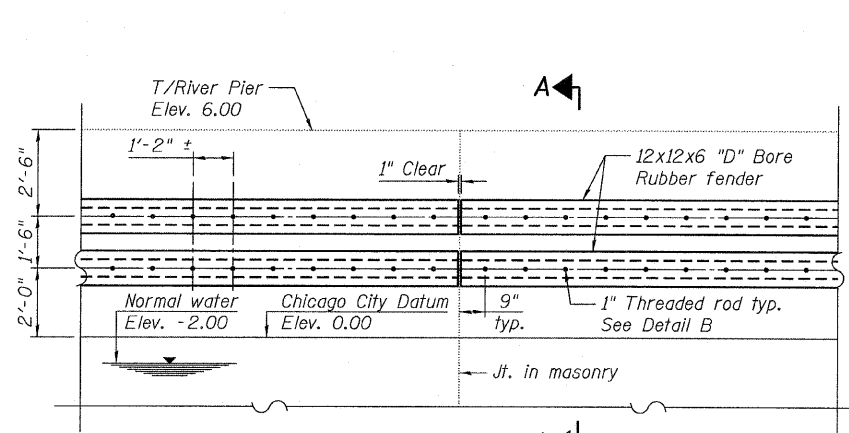
ROUTE NO.	SECTION	COUNTY	TOTAL SHEETS	SHEET NO.
F.A.P. 389	2424.2 B-1	COOK	23	12
FED. ROAD DIST. NO. 7	ILLINOIS	FED. AID PROJECT-		

SHEET NO. 5  
16 SHEETS

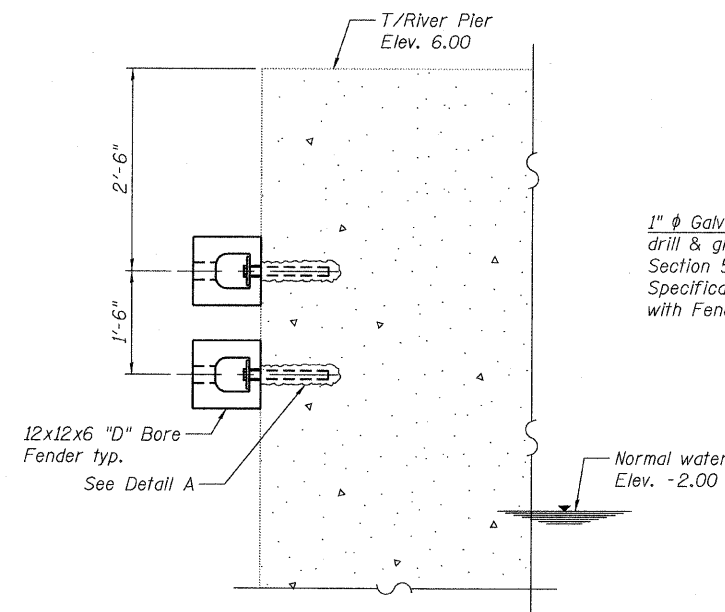
Contract No. 60E11



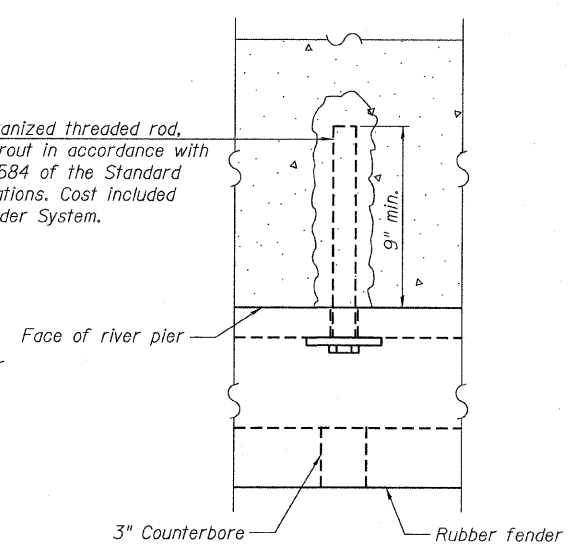
FENDER SYSTEM PLAN - EAST RIVER PIER



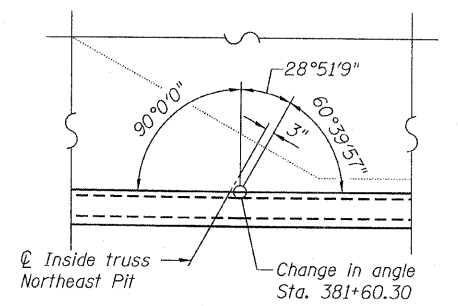
PARTIAL ELEVATION



SECTION A-A



DETAIL A



DETAIL B

FENDER SYSTEM DETAILS

DESIGNED	S. CHELBIAN
CHECKED	A. HAMMAD
DRAWN	S. CHELBIAN
CHECKED	A. HAMMAD

Note:  
All hardware, bolts, nuts, washers, and plate washers shall be galvanized in accordance with AASHTO M 232.  
Cost of Dock Ladders is included with Fender System.

FENDER SYSTEM - EAST PIER  
F.A.P. RT. 389 - SEC. 2424.2 B-1  
COOK COUNTY  
STATION 380+68.75  
STRUCTURE NO. 016-2445

