

ROUTE	SECTION	COUNTY	TOTAL SHEETS	SHEET NUMBER
VARIOUS	2008-051 BP	COOK		4

Contract 60F02

GENERAL NOTES FOR PAINT

CLEANING AND PAINTING OF THE EXISTING STRUCTURAL STEEL SHALL BE AS SPECIFIED IN THE SPECIAL PROVISION FOR "CLEANING AND PAINTING EXISTING STEEL STRUCTURES".

A MINIMUM OF FOUR (4) AIR MONITORS WILL BE REQUIRED TO MONITOR ABRASIVE BLASTING OPERATIONS PER LOCATIONS 1 (SN 016-0827), 2 (SN 016-0555), 3 (SN 016-0725), 5 (SN 016-2045), AND 6 (SN 016-0406) AND TWO (2) PER LOCATIONS 4 (SN 016-2574) AND 7 (SN 016-2535). SEE SPECIAL PROVISION FOR "CONTAINMENT AND DISPOSAL OF LEAD PAINT CLEANING RESIDUE."

THE SSPC-QP1 AND SSPC-QP2 PAINTING CONTRACTOR CERTIFICATIONS WILL BE REQUIRED FOR THESE BRIDGES.

THE AREAS DESIGNATED TO BE CLEANED PER NEAR WHITE BLAST CLEANING SSPC-SP10 SHALL BE PAINTED ACCORDING TO THE REQUIREMENTS OF PAINT SYSTEM 1 - OZ/E/U. THE COLOR OF THE FINAL FINISH COAT FOR ALL INTERIOR STEEL SURFACES AND THE STEEL BENTS 1E, 1W, 2E & 2W AT LOCATION 5 AND THE CROSS GIRDERS BETWEEN THE FACIA BEAMS AT ALL THE BENTS AT LOCATION 7 AND THE HANDRAILS AND FENCE POSTS AT LOCATIONS 1& 3 AND THE APPROACH RAILINGS AT LOCATION 6 SHALL BE GRAY, MUNSELL NO 5B 7/1. THE COLOR OF THE FINAL FINISH COAT FOR THE EXTERIOR AND BOTTOM FLANGE OF THE FACIA BEAMS AND THE CROSS GIRDERS OUTSIDE OF THE FACIA BEAMS AT ALL THE BENTS AT LOCATION 7 SHALL BE REDDISH BROWN, MUNSELL NO 2.5YR 3/4.

ALL ITEMS (SUCH AS, BUT NOT LIMITED TO; CONDUITS, BRACKETS AND DECK DRAINS) ATTACHED TO THE OUTSIDE OF THE FACIA BEAMS SHOULD BE CLEANED AND PAINTED.

LOCATIONS 2(016-0555)

ALL ORIGINAL BEAMS, BEARINGS AND OTHER STRUCTURAL STEEL WITHIN FIVE (5) FT., (MEASURED ALONG THE BEAM) OF EITHER SIDE OF THE DECK JOINTS, SHALL BE CLEANED PER NEAR WHITE BLAST CLEANING SSPC-SP10. THE EXTERIOR SURFACES AND TOP AND BOTTOM OF THE BOTTOM FLANGE OF THE FACIA BEAMS (SEE FIGURE 1) SHALL BE CLEANED PER NEAR WHITE BLAST CLEANING SSPC-SP10.

LOCATION 6 (016-0406)

ALL ORIGINAL BEAMS, BEARINGS AND OTHER STRUCTURAL STEEL WITHIN FIVE (5) FT., (MEASURED ALONG THE BEAM) OF EITHER SIDE OF THE DECK JOINTS, SHALL BE CLEANED PER NEAR WHITE BLAST CLEANING SSPC-SP10. THE APPROACH RAILING SHALL BE CLEANED PER NEAR WHITE BLAST CLEANING SSPC-SP10.

LOCATIONS 1(016-0827) AND 3(016-0725)

ALL ORIGINAL BEAMS, BEARINGS AND OTHER STRUCTURAL STEEL WITHIN FIVE (5) FT., (MEASURED ALONG THE BEAM) OF EITHER SIDE OF THE DECK JOINTS, SHALL BE CLEANED PER NEAR WHITE BLAST CLEANING SSPC-SP10. THE EXTERIOR SURFACES, TOP AND BOTTOM OF THE BOTTOM FLANGE OF THE FACIA BEAMS (SEE FIGURE 1), AND THE ENTIRE HAND RAILING AND FENCE POSTS SHALL BE CLEANED PER NEAR WHITE BLAST CLEANING SSPC-SP10.

LOCATION 5(016-2045)

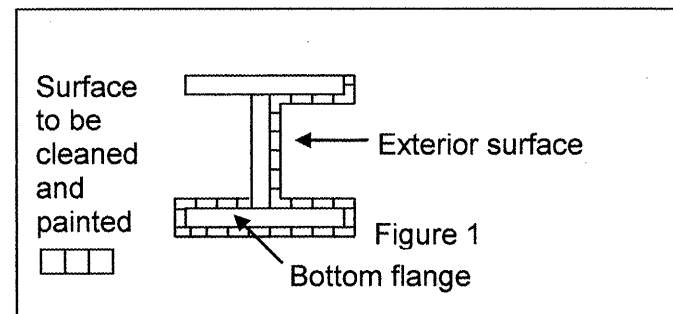
ALL ORIGINAL BEAMS, BEARINGS AND OTHER STRUCTURAL STEEL WITHIN FIVE (5) FT., (MEASURED ALONG THE BEAM) OF EITHER SIDE OF THE DECK JOINTS, SHALL BE CLEANED PER NEAR WHITE BLAST CLEANING SSPC-SP10. THE EXTERIOR SURFACES AND TOP, BOTTOM OF THE BOTTOM FLANGE OF THE FACIA BEAMS (SEE FIGURE 1) AND THE ENTIRE STEEL BENTS 1E, 1W, 2E & 2W SHALL BE CLEANED PER NEAR WHITE BLAST CLEANING SSPC-SP10.

LOCATION 4(016-2574)

ALL ORIGINAL BEAMS, BEARINGS, AND OTHER STRUCTURAL STEEL WITHIN FIVE (5) FT (MEASURED ALONG THE BEAM) OF EITHER SIDE OF THE DECK JOINTS, SHALL BE CLEANED PER NEAR WHITE BLAST CLEANING SSPC-SP10.

LOCATION 7(016-2535)

ALL ORIGINAL BEAMS, BEARINGS AND OTHER STRUCTURAL STEEL WITHIN FIVE (5) FT., (MEASURED ALONG THE BEAM) OF EITHER SIDE OF THE DECK JOINTS, SHALL BE CLEANED PER NEAR WHITE BLAST CLEANING SSPC-SP10. THE EXTERIOR SURFACES, TOP AND BOTTOM OF THE BOTTOM FLANGE OF THE FACIA BEAMS (SEE FIGURE 1), ALL THE CROSS GIRDERS AT ALL THE BENTS AND FIVE (5) FT. OF THE BEAMS THAT FRAME INTO THEM SHALL BE CLEANED PER NEAR WHITE BLAST CLEANING SSPC-SP10



FASCIA BEAM PAINTING DETAIL

FIGURE 1

ILLINOIS DEPARTMENT OF TRANSPORTATION

GENERAL PAINT NOTES