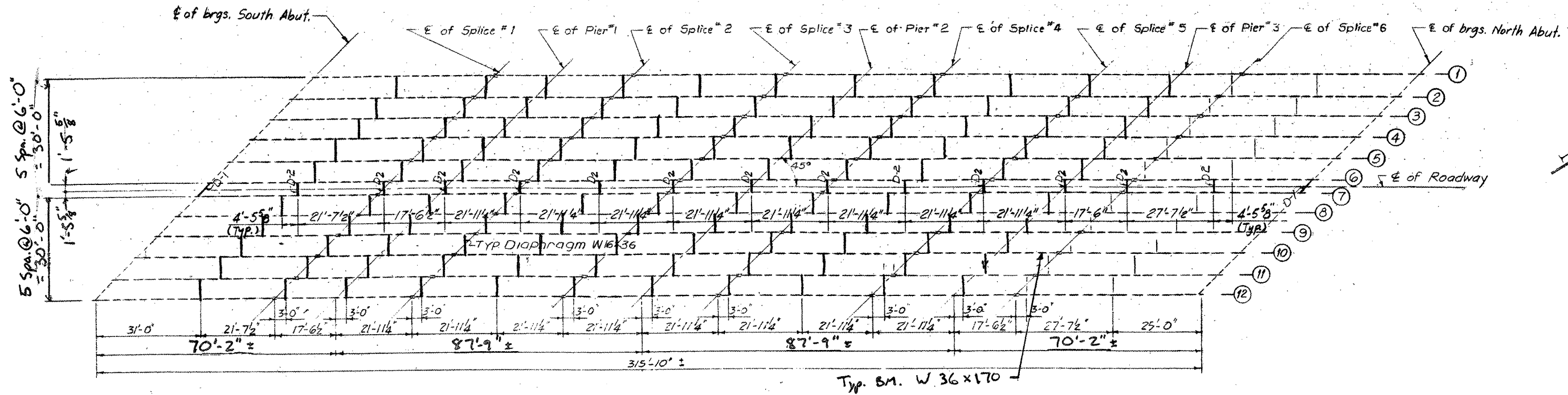
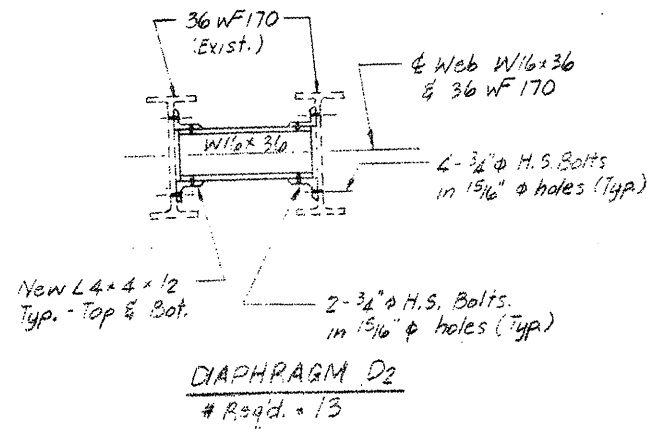
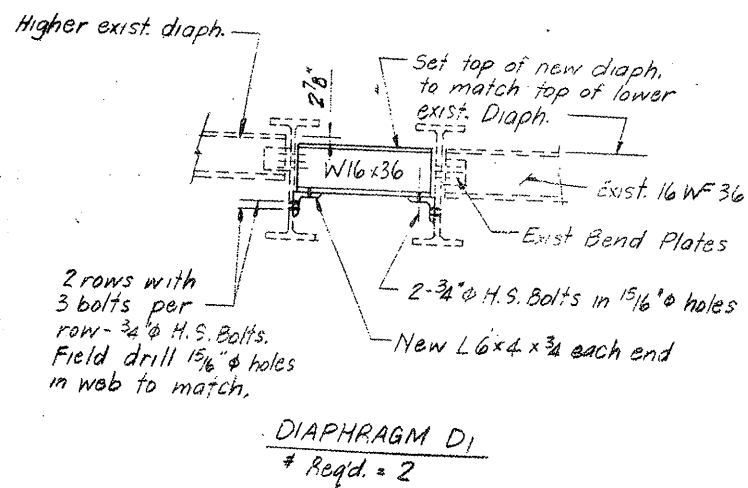


ROUTE	SECTION	COUNTY	TOTAL SHEETS	SHEET NUMBER
VARIOUS	2008-051 BP	COOK	33	17

CONTRACT NO. 60F02



STEEL FRAMING PLAN



LOCATION NO.3

EXIST. BRIDGE PLANS

GROSS POINT RD. OVER I-94

SN 016-0725