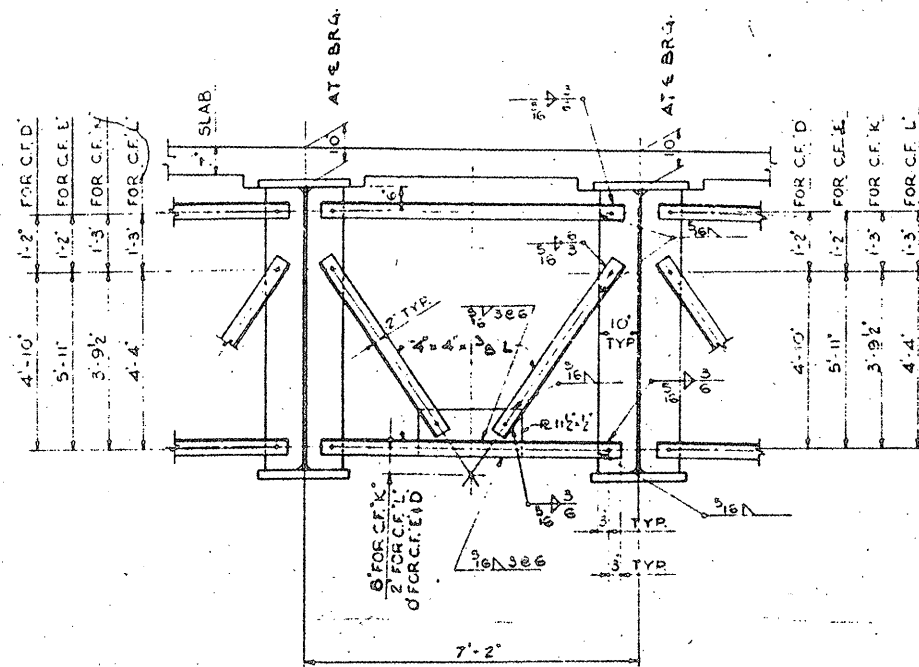
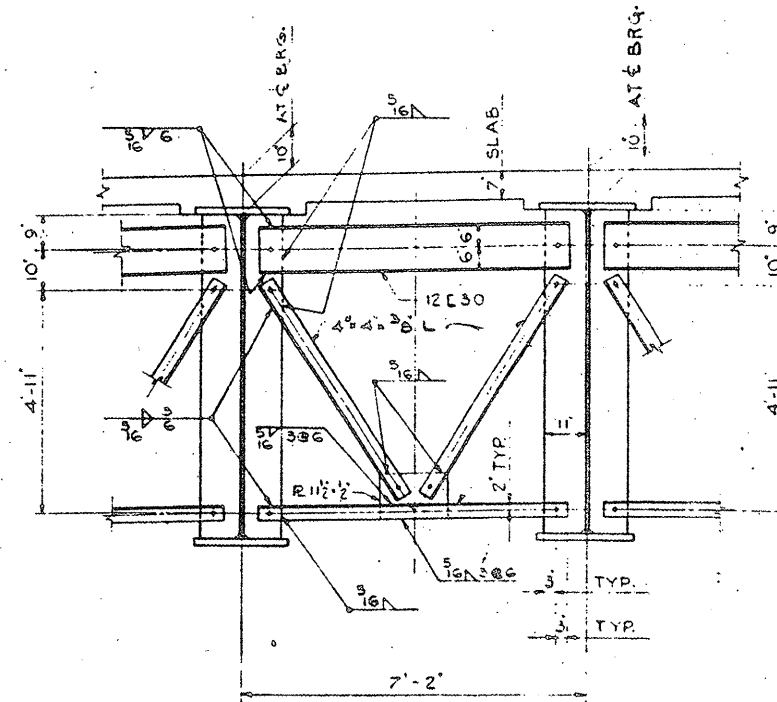


ROUTE	SECTION	COUNTY	TOTAL SHEETS	SHEET NUMBER
VARIOUS	2008-051 BP	COOK	38	27

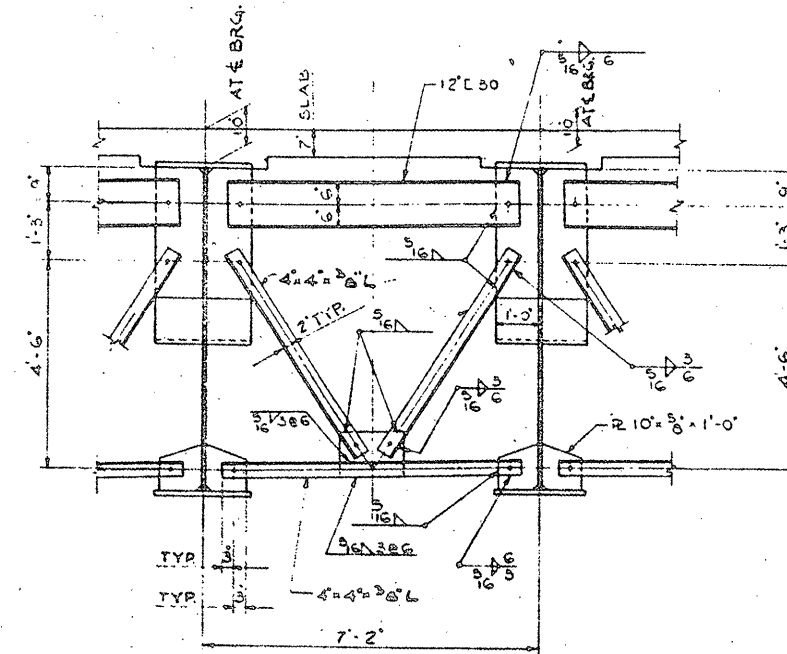
CONTRACT NO. 60F02



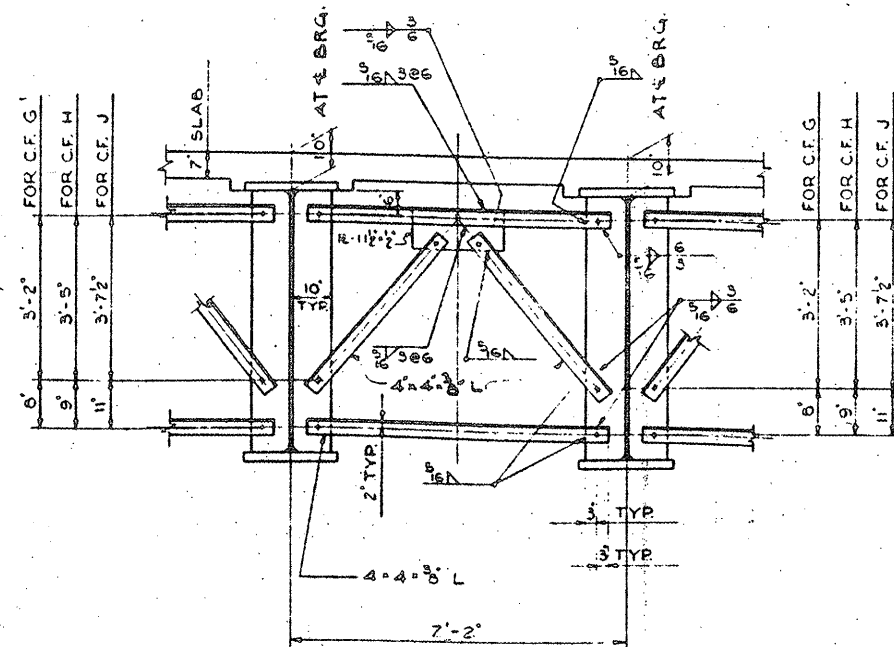
CROSS FRAME - E, D, K & L
SCALE: 1/2" = 1'-0"



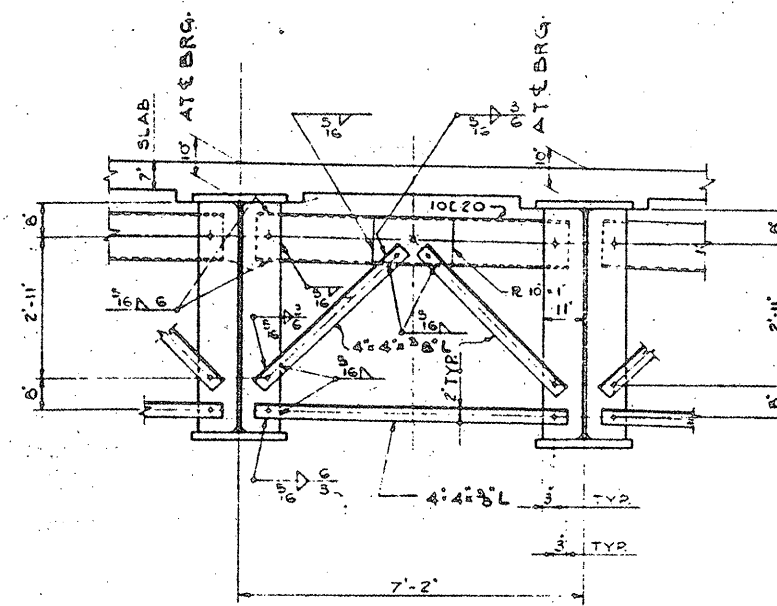
CROSS FRAME - C
SCALE: 1/2" = 1'-0"



CROSS FRAME C1
SCALE: 1/2" = 1'-0"



CROSS FRAME - G, H & J
SCALE: 1/2" = 1'-0"



CROSS FRAME - F
SCALE: 1/2" = 1'-0"

SHEET 6 OF 70

LOCATION NO.5
EXIST. BRIDGE PLANS
MILWAUKEE AVE. OVER
I-90/94 SN 016-2045