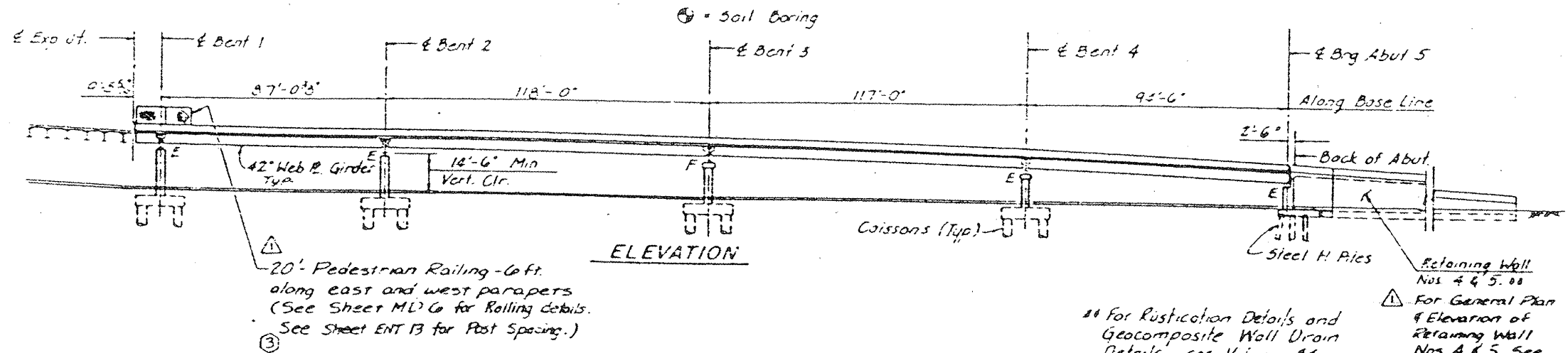
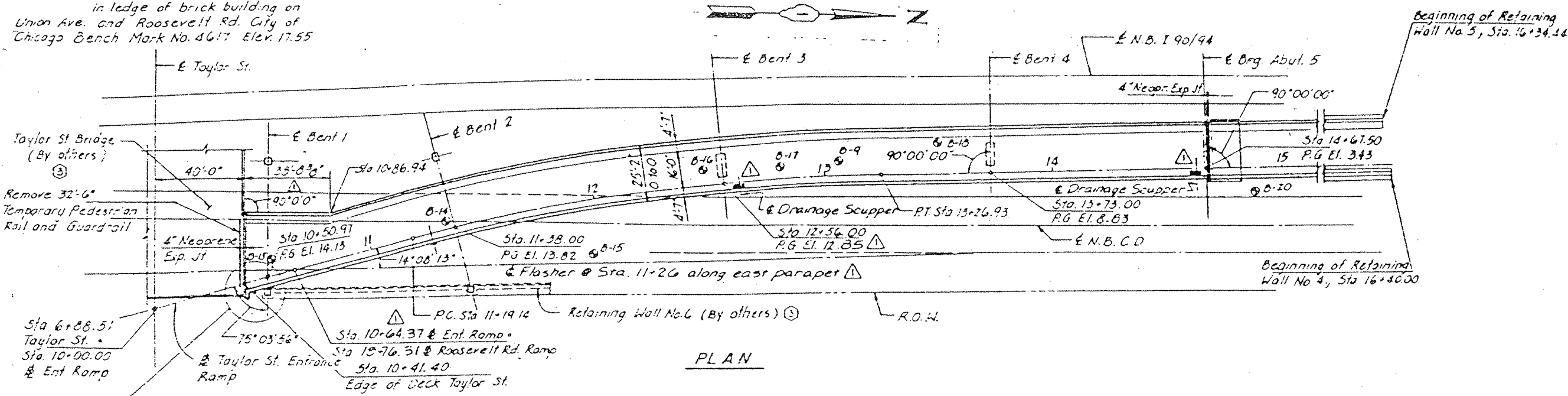


ROUTE	SECTION	COUNTY	TOTAL SHEETS	SHEET NUMBER
VARIOUS	2008-051 BP	COOK	38	31

CONTRACT NO. 60F02

in ledge of brick building on Union Ave. and Roosevelt Rd. City of Chicago Bench Mark No. 4617 Elev. 17.55



FOR INFORMATION ONLY

LOCATION NO. 7
EXIST. BRIDGE PLANS
TAYLOR ST. RAMP TO NB
I-90/94 SN 016-2535