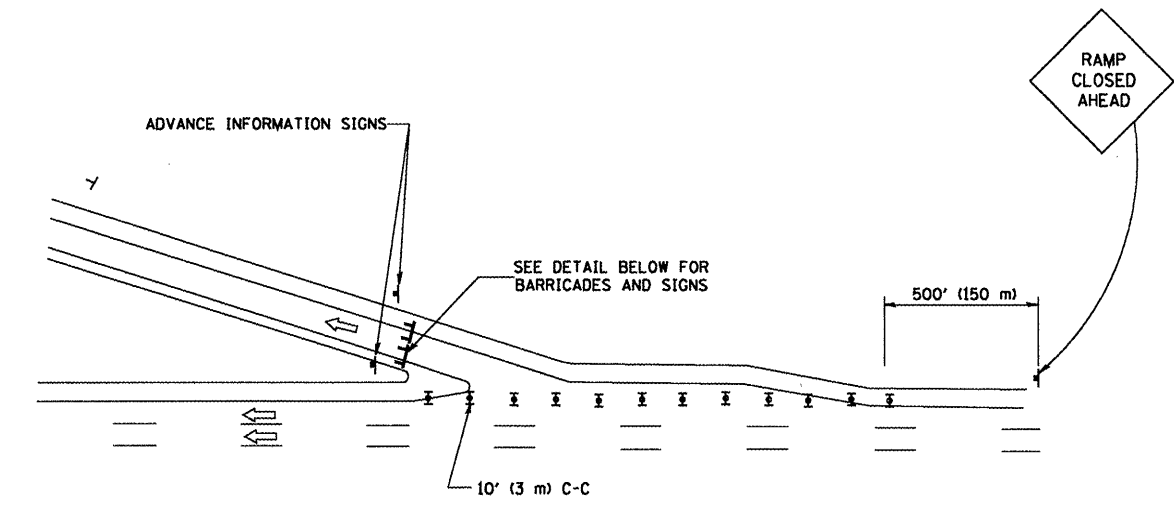
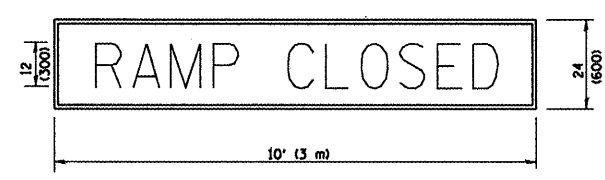


ENTRANCE RAMP CLOSURE



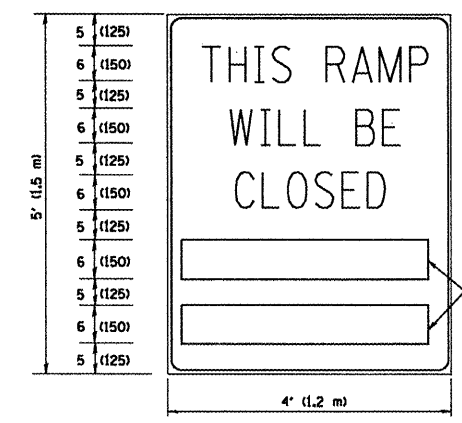
EXIT RAMP CLOSURE

RAMP CLOSURE ADVANCE WARNING SIGN



BLACK LEGEND ON ORANGE REFLECTORIZED BACKGROUND  
1 (25) BORDER  
THESE SIGNS ARE REQUIRED ON ALL THE EXIT GUIDE SIGNS FOR THE CLOSED EXIT RAMP.

RAMP CLOSURE ADVANCE INFORMATION SIGN

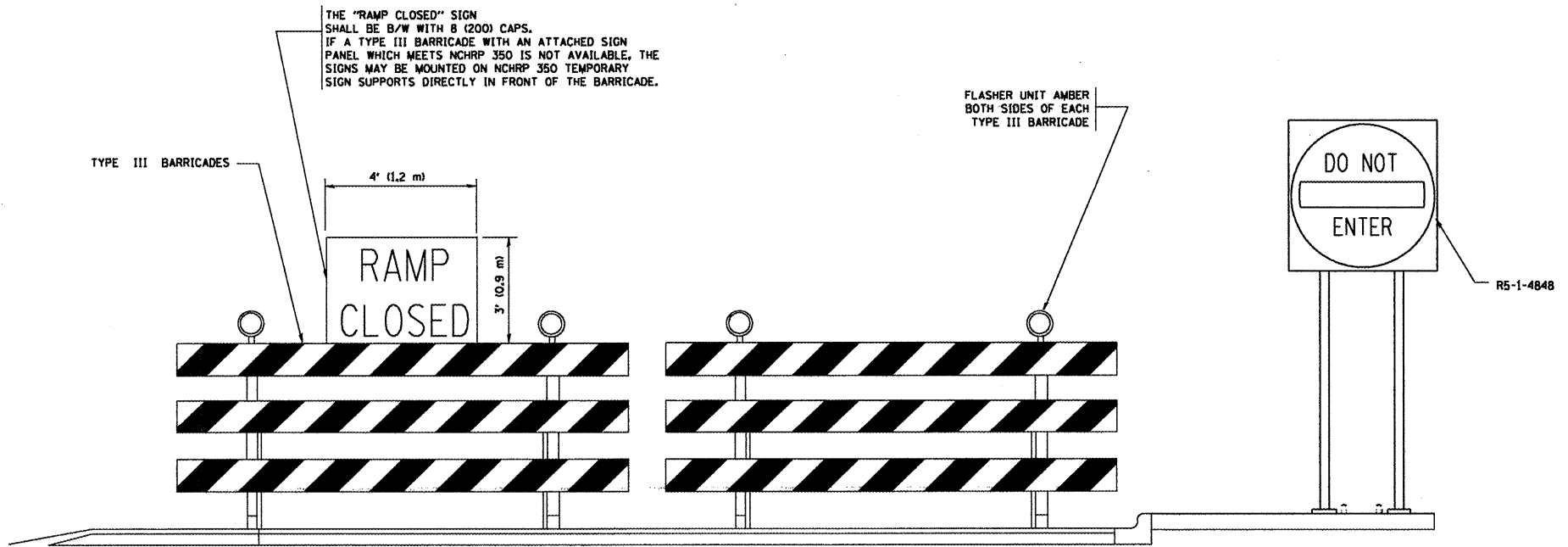


BLACK LEGEND ON WHITE REFLECTORIZED BACKGROUND  
1/2 (12) BORDER  
THESE BLANK AREAS SHALL BE FILLED WITH THE DATES AND THE TIME THAT THE RAMP WILL BE CLOSED.

THESE SIGNS ARE REQUIRED ON BOTH SIDES OF THE RAMP, MINIMUM OF 1 WEEK IN ADVANCE OF THE CLOSURE.

GENERAL NOTES:

- CONES MAY BE SUBSTITUTED FOR DRUMS OR TYPE II BARRICADES DURING DAY OPERATIONS. CONES SHALL BE A MINIMUM OF 28 (700) HIGH.
- STEADY BURN LIGHTS WILL NOT BE REQUIRED FOR DAY OPERATIONS.
- A FLAGGER SHALL BE POSITIONED AT EACH CLOSED RAMP THAT IS OPEN TO CONSTRUCTION VEHICLES.
- ALL ROUTE MARKERS AND TRAILBLAZER ASSEMBLIES WHICH DIRECT MOTORISTS TO A CLOSED ENTRANCE RAMP SHALL BE COVERED.
- THE SIGNING AND BARRICADING WHICH IS REQUIRED BY THIS DETAIL SHALL BE INCLUDED IN THE COST OF TRAFFIC CONTROL AND PROTECTION (EXPRESSWAYS).
- AUTHORIZATION FROM THE DISTRICT'S BUREAU OF TRAFFIC IS REQUIRED FOR ALL RAMP CLOSURES.
- THE RAMP CLOSURE ADVANCE INFORMATION SIGNS SHALL BE ERECTED IF THE CLOSURE TIME EXCEEDS TWENTY-FOUR (24) HOURS. ADDITIONAL ADVANCE WARNING SIGNS ON EXIT GUIDE SIGNING WILL BE REQUIRED FOR EXIT RAMP CLOSURES THAT EXCEED TWENTY-FOUR (24) HOURS IN LENGTH.



DETAIL FOR REQUIRED BARRICADES & SIGNS

SYMBOLS

- TYPE II BARRICADE, DRUM OR VERTICAL BARRICADE WITH STEADY BURN MONO-DIRECTIONAL LIGHT
- TYPE III BARRICADE WITH FLASHING LIGHT

ALL DIMENSIONS ARE IN INCHES (MILLIMETERS) UNLESS OTHERWISE SHOWN.

FILE NAME = W:\dissstd\22x34\to88.dgn	USER NAME = geglionobt	DESIGNED - DWS	REVISED - DWS 12-94	<b>STATE OF ILLINOIS DEPARTMENT OF TRANSPORTATION</b>	<b>FREEWAY ENTRANCE AND EXIST RAMP CLOSURE DETAILS</b>			F.A. RTE.	SECTION	COUNTY	TOTAL SHEETS	SHEET NO.	
		DRAWN -	REVISED - DWS/JAF 12-02		SCALE: NONE	SHEET NO. 1 OF 1 SHEETS	STA.	TO STA.	VAR. 2003-05-06	CODV	38	37	
		PLOT SCALE = 50,000' / IN.	REVISOR - JAF 02-06						TC-08				
		PLOT DATE = 1/4/2008	REVISOR - SPB 01-07						FED. ROAD DIST. NO. 1 ILLINOIS FED. AID PROJECT				