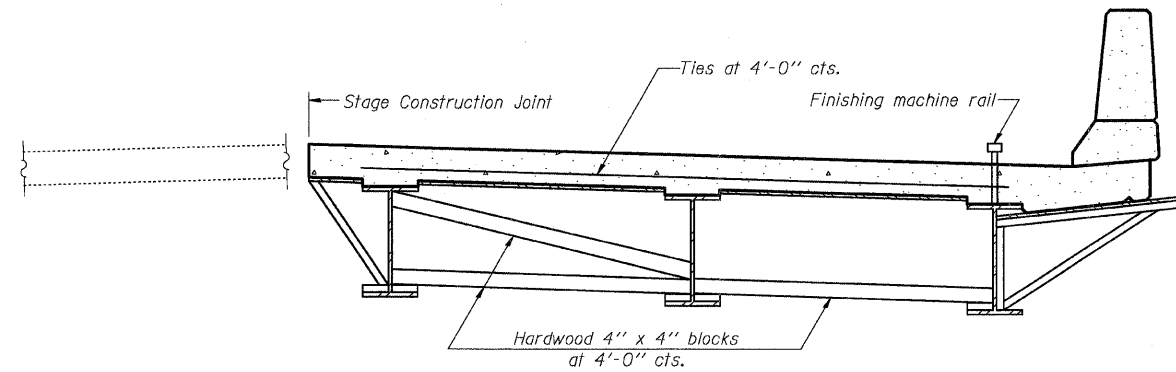


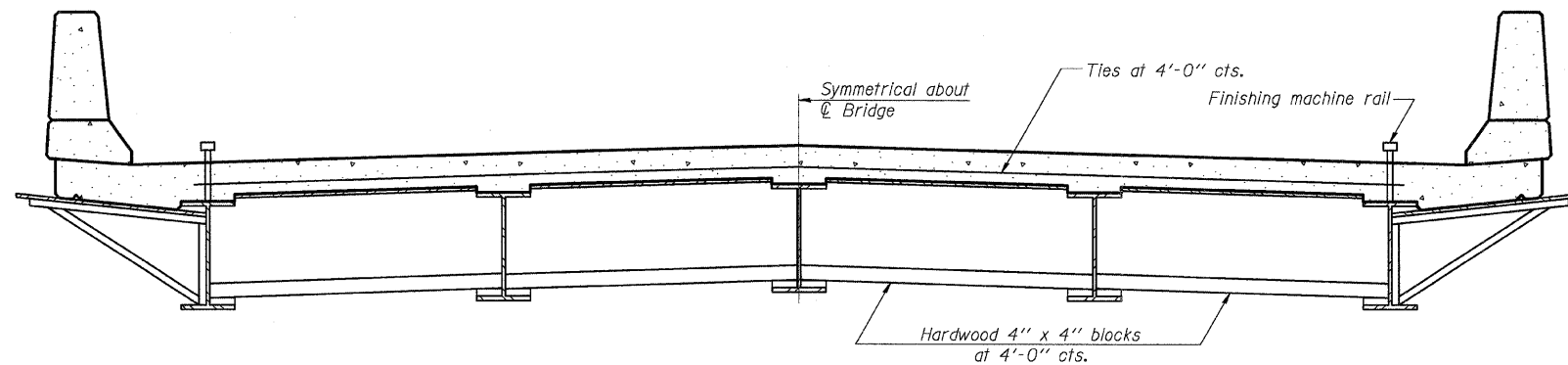
STATE OF ILLINOIS  
DEPARTMENT OF TRANSPORTATION

|                       |          |                  |           |       |           |
|-----------------------|----------|------------------|-----------|-------|-----------|
| ROUTE NO.             | SECTION  | COUNTY           | SHEET NO. | SHEET | SHEET NO. |
| F.A.P.<br>324         | 23B-1    | McHENRY          | 97        | 60    | 25 SHEETS |
| FED. ROAD DIST. NO. 1 | ILLINOIS | FED. AID PROJECT |           |       |           |

Contract # 62892



**FORM BRACES FOR  
STAGE CONSTRUCTION**



**FORM BRACES FOR  
STANDARD CONSTRUCTION**

When cantilever forming brackets are used, the work shall be done according to Article 503.06(b) of the Standard Specifications, except as modified below and in the details shown on this sheet.  
The finishing machine rails shall be placed on the top flange of the exterior beams.  
The beams or girders, supporting cantilever forming brackets, shall be tied together at 4 foot intervals.  
For Standard construction, or Stage Construction the Hardwood bracing materials shall be placed as shown between webs of beams in each bay.

|          |     |
|----------|-----|
| DESIGNED | CJB |
| CHECKED  | PWO |
| DRAWN    | DRP |
| CHECKED  | PJM |

SB-1

11-1-06



V3 Companies of Illinois Ltd.  
7325 Janes Avenue  
Woodridge, IL 60517  
630.724.9200 phone  
630.724.9202 fax  
www.v3co.com

**CANTILEVER FORMING BRACKETS  
FOR SUPERSTRUCTURES WITH  
W27 BEAMS OR SMALLER  
ILL. ROUTE 23 OVER  
KISHWAUKEE RIVER  
F.A.P. RT. 324  
MCHEMRY COUNTY  
STATION 69+02.50  
STRUCTURE NO. 056-0001**