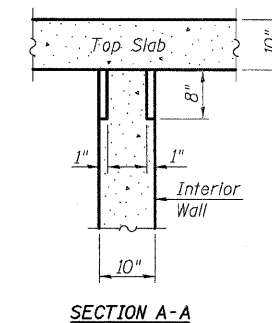
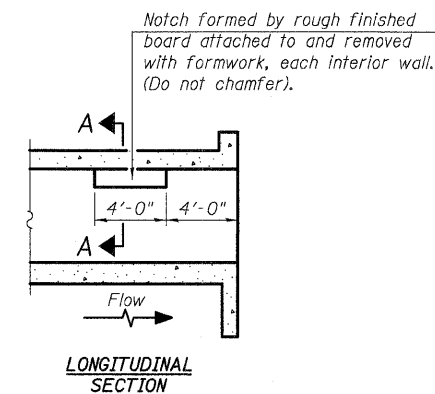
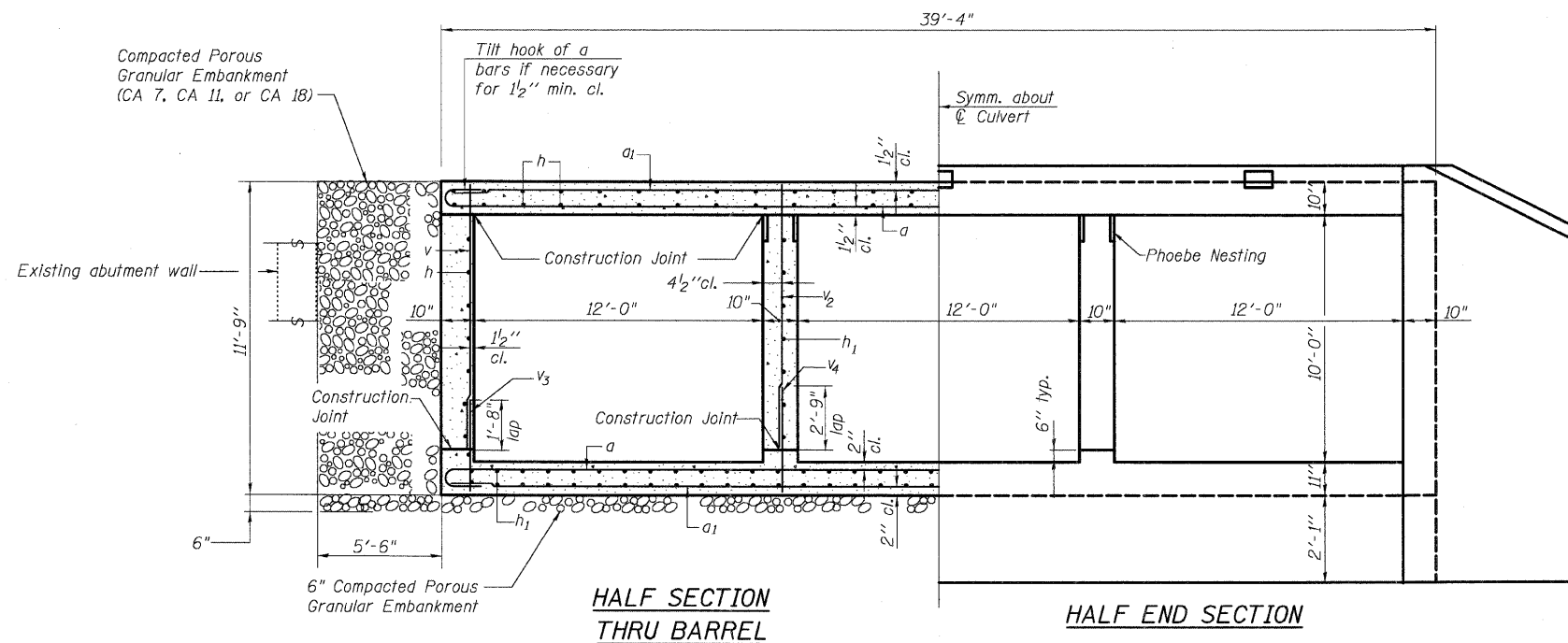


STATE OF ILLINOIS  
DEPARTMENT OF TRANSPORTATION

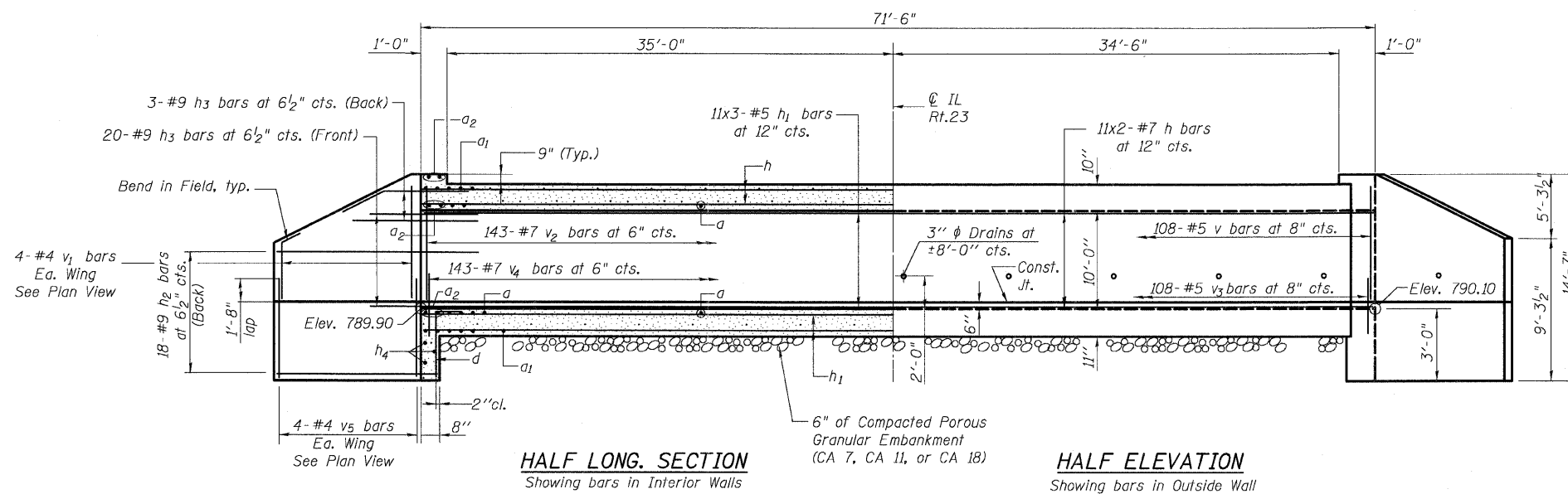
ROUTE NO.	SECTION	COUNTY	DATE SHEETS	SHEET NO.
F.A.P. 324	23B-1	McHENRY	97	68
FED. ROAD DIST. NO. 1	ILLINOIS	FED. AID PROJECT		

SHEET NO. 3  
5 SHEETS

Contract # 62892



**PHOEBE NESTING  
SITE DETAILS**  
(Downstream End Only)



Notes: Bars indicated thus 11x3-#7 etc. indicates 11 lines of bars with 3 lengths per line.

DESIGNED	CJB
CHECKED	PWO
DRAWN	DRP
CHECKED	PJM



V3 Companies of Illinois Ltd.  
7325 Janes Avenue  
Woodridge, IL 60517  
630.724.9200 phone  
630.724.9202 fax  
www.v3co.com

**SECTIONS**  
**ILL. ROUTE 23 OVER**  
**KISHWAUKEE RIVER**  
**OVERFLOW NO. 1**  
**F.A.P. RT. 324**  
**McHENRY COUNTY**  
**STATION 72+50.00**  
**STRUCTURE NO. 056-0083**