

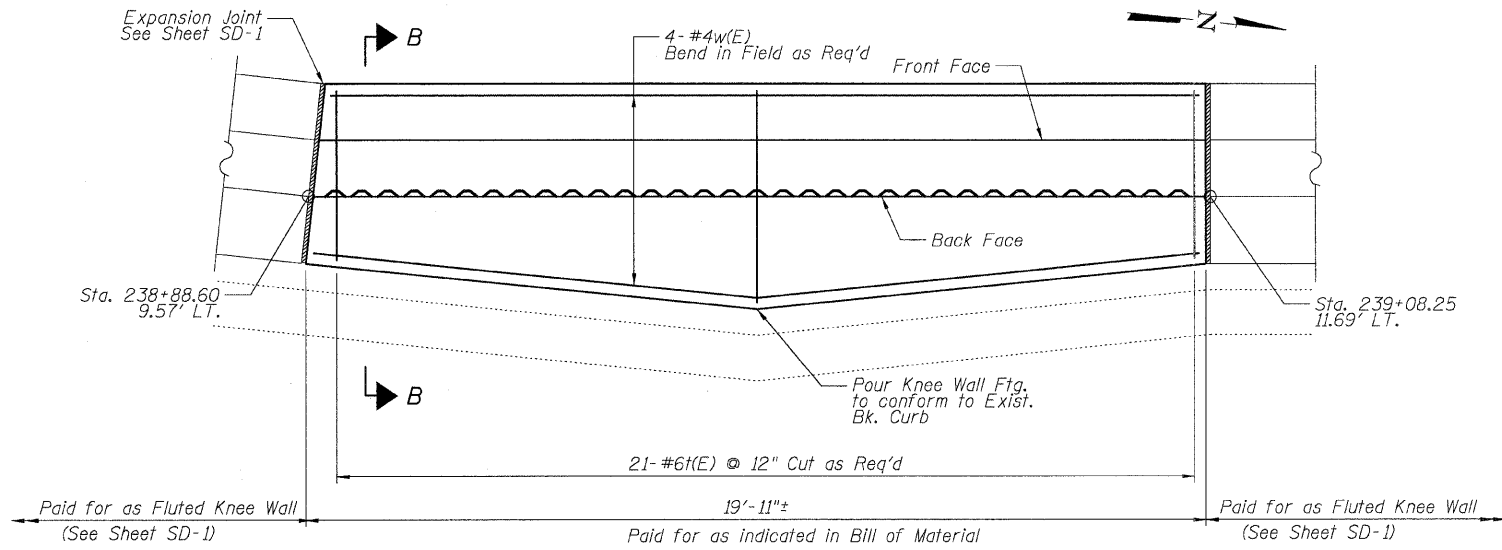
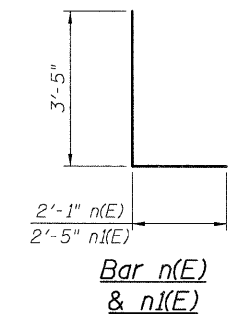
F.A.I.	SECTION	COUNTY	TOTAL SHEETS	SHEET NO.
94/90	*	COOK	27	15
STA.	TO STA.			
FED. ROAD DIST. NO.	ILLINOIS	FED. AID PROJECT		
62990				

**DETAIL B REINFORCEMENT
SCHEDULE AND
BILL OF MATERIAL**

Bar	No.	Size	Length	Shape
h(E)	8	#4	19'-7"	
n(E)	21	#6	5'-6"	L
n(E)	21	#5	5'-10"	L
t(E)	21	#6	4'-8"	
w(E)	4	#4	19'-7"	
Item	Unit	Qty.		
① Concrete Structures	Cu. Yd.	3.4		
② Concrete Superstructure	Cu. Yd.	2.7		
Reinforcement Bars, Epoxy Coated	Pound	610		
Rustication Finish	Sq. Ft.	37		
Protective Coat	Sq. Yd.	14		

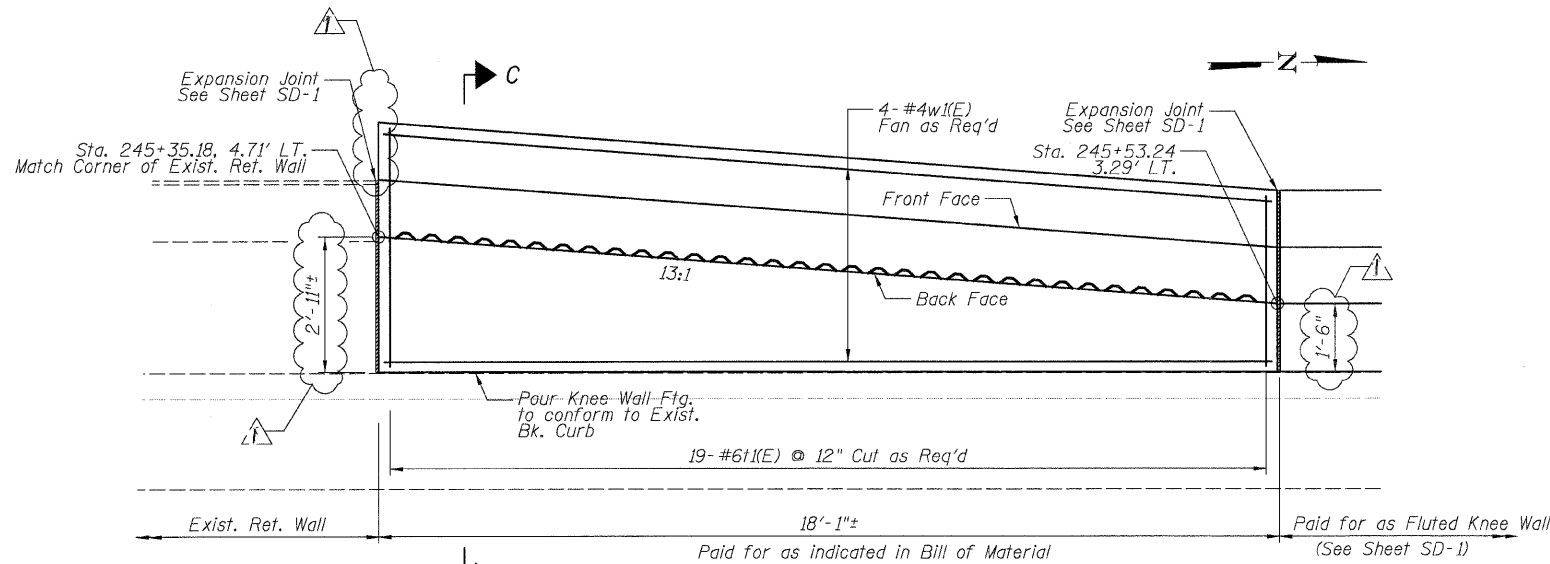
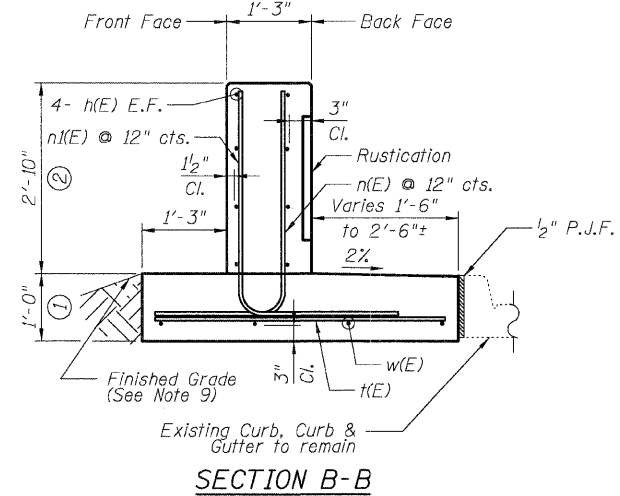
**DETAIL C REINFORCEMENT
SCHEDULE AND
BILL OF MATERIAL**

Bar	No.	Size	Length	Shape
h(E)	8	#4	17'-9"	
n(E)	19	#6	5'-6"	L
n(E)	19	#5	5'-10"	L
t(E)	19	#6	5'-1"	
w(E)	4	#4	17'-9"	
Item	Unit	Qty.		
① Concrete Structures	Cu. Yd.	3.2		
② Concrete Superstructure	Cu. Yd.	2.4		
Reinforcement Bars, Epoxy Coated	Pound	560		
Rustication Finish	Sq. Ft.	34		
Protective Coat	Sq. Yd.	13		



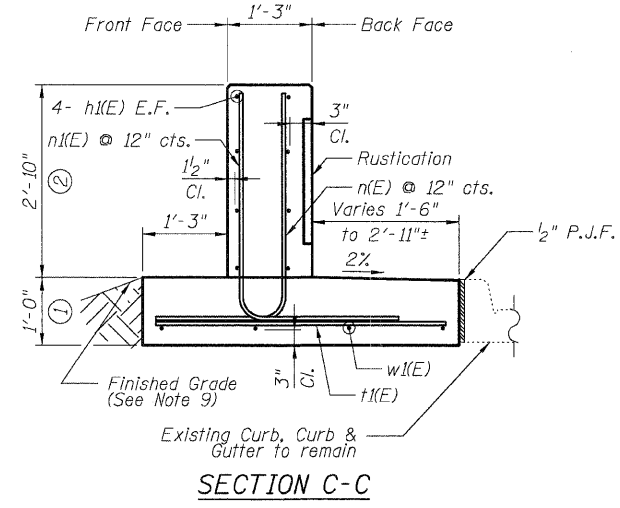
S. LA SALLE ST.

DETAIL B



S. LA SALLE ST.

DETAIL C



NOTES:

- All stations and offsets measured from S. La Salle St. @.
- Back Face is face adjacent to Frontage Rd. and Front Face is face adjacent to Expressway.
- Concrete: f'c = 3500 psi
- Provide California Finish on top of foundation between stem and Frontage Road. See Roadway Details.
- At locations where Fluted Knee Wall abuts a rigid Structure, a 1/2" thick Preformed Expansion Joint Filler conforming to the shape of the Structure shall be installed between the Fluted Knee Wall and the Structure.
- Apply Protective Coat to top and back face of stem and top of Frontage Road side of foundation.
- For Fluted Knee Wall standard details, see Sheet SD-1
- B.F. = Back Face (Frontage Road Side)
F.F. = Front Face (Expressway Side)
E.F. = Each Face
- Shape finished grade as required to match existing conditions.
- P.J.F. included in cost of concrete structures.

REVISIONS	
NAME	DATE
ADDENDUM 1	7-16-08

SHEET SD-3

ILLINOIS DEPARTMENT OF TRANSPORTATION
F.A.I. 94/90 (DAN RYAN EXPRESSWAY)
NORTHBOUND KNEE WALLS (43RD ST TO ROOT ST)

DETAILS B & C

SCALE: NTS
DATE: 04/25/08

DRAWN BY: TL
CHECKED BY: BLU

BOWMAN, BARRETT & ASSOCIATES INC.
CONSULTING ENGINEERS
Chicago, Illinois
312.228.0100
www.bbandainc.com

I:\660\9409\94\90\SD3\SD3.DWG 5/4/08 7/16/2008