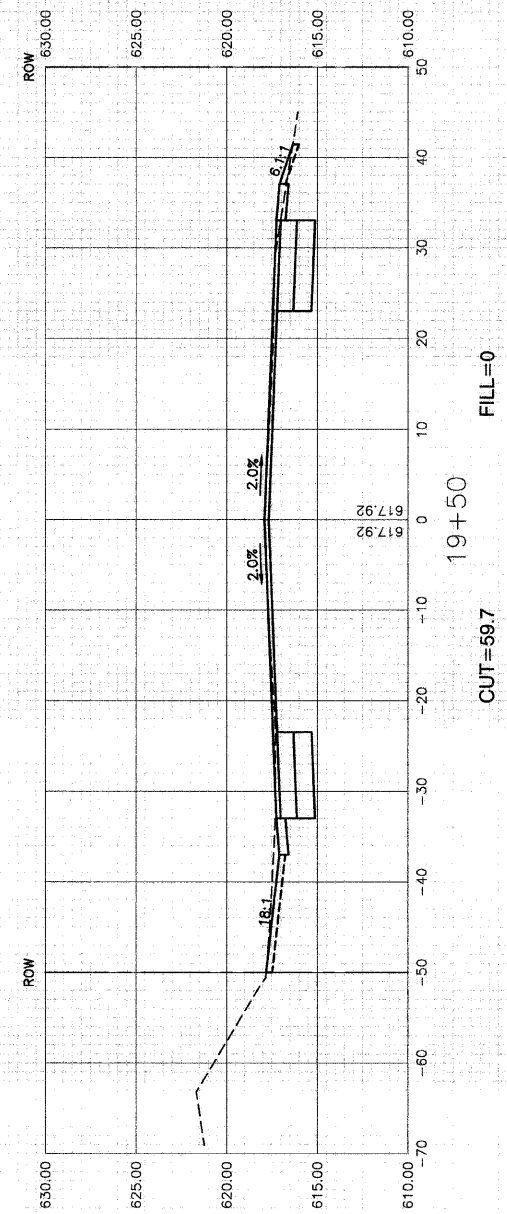
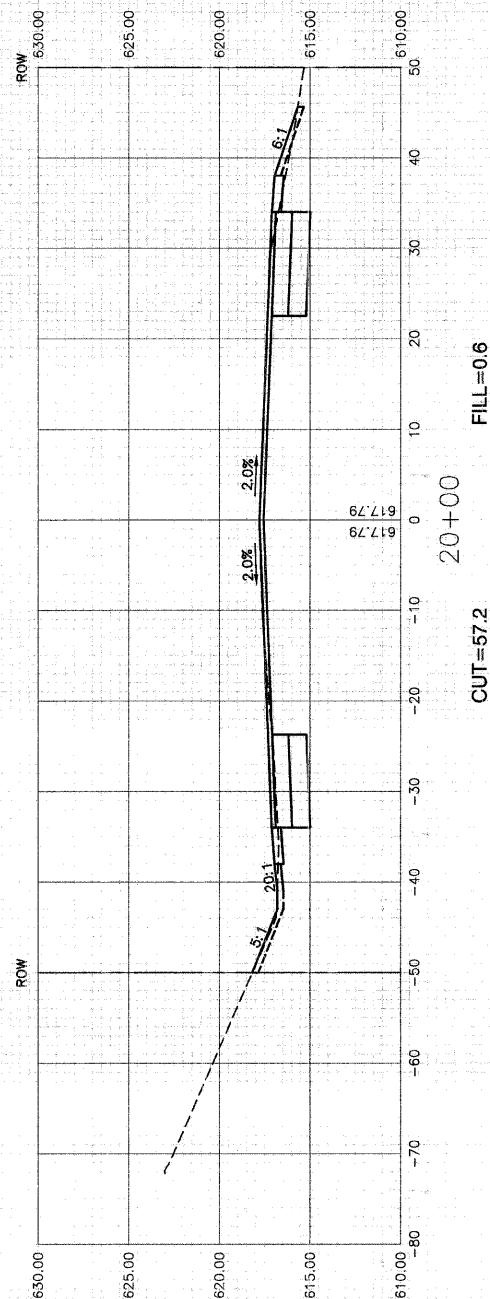
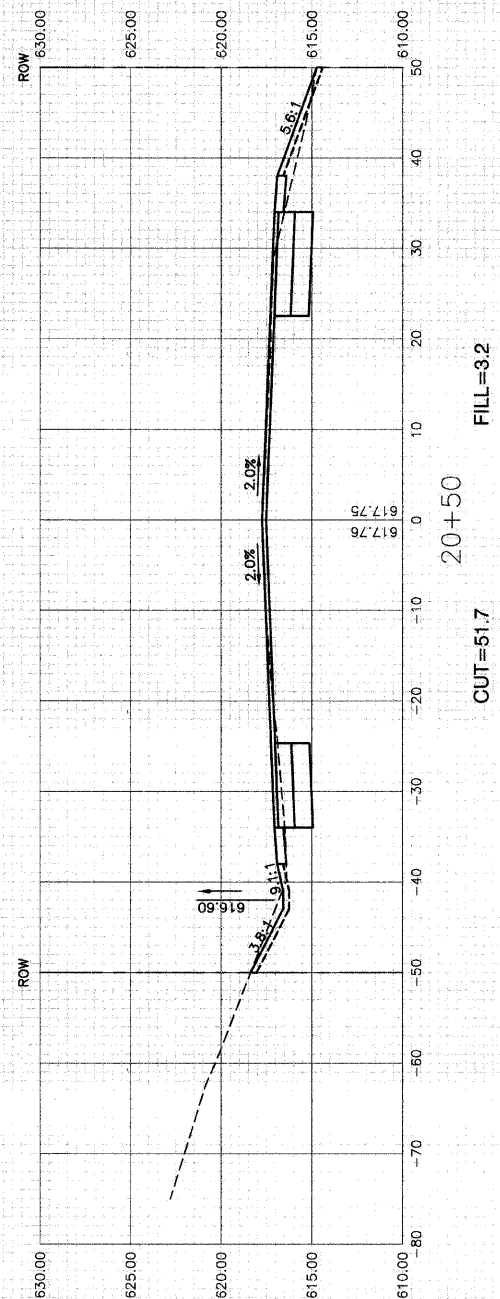
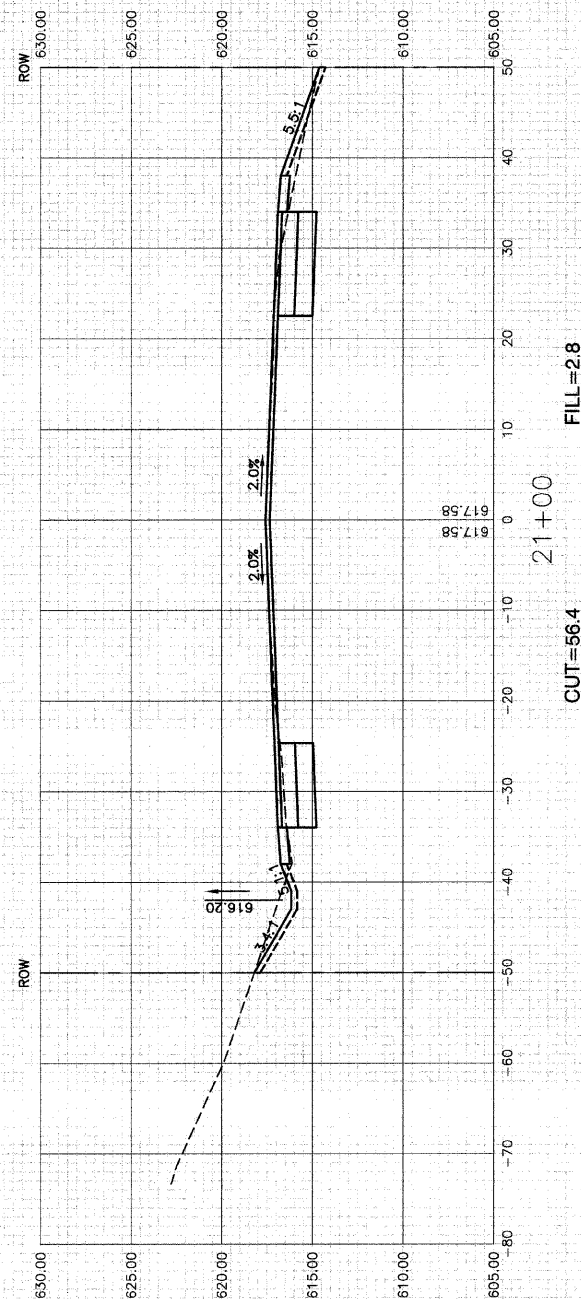


F. A. P. RTE.	SECTION	COUNTY	TOTAL SHEETS	SHEET NO.
846	05-00047-00-CH	WILL	036	031
STA. 15+50		TO STA. 17+00		
FED. ROAD DIST. NO. 1	ILLINOIS	FED. AID PROJECT		

CONTRACT #63033



REVISIONS	
NAME	DATE

ILLINOIS DEPARTMENT OF TRANSPORTATION

**IL RTE 53 AT UNIVERSITY PARKWAY
INTERSECTION IMPROVEMENT
CROSS SECTIONS**

SCALE: VERT. 1"=5'
HORIZ. 1"=10'
DATE 8-29-08
DRAWN BY RG
CHECKED BY WD