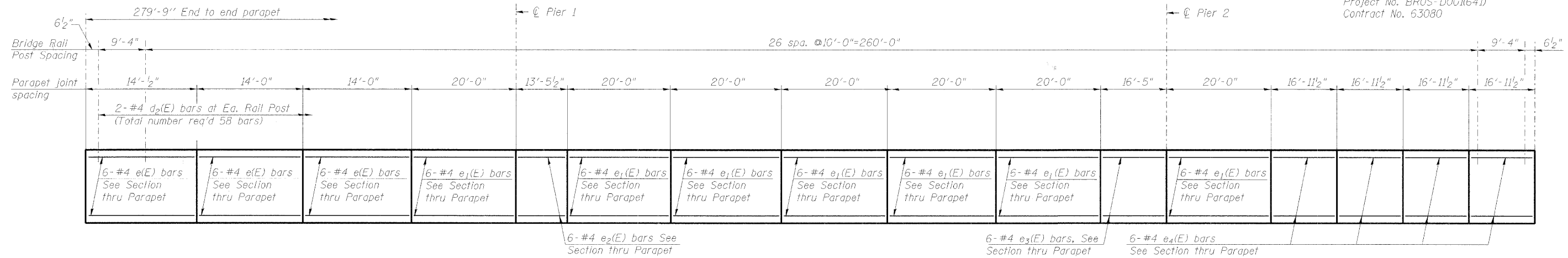


STATE OF ILLINOIS
DEPARTMENT OF TRANSPORTATION

ROUTE NO.	SECTION	COUNTY	TOTAL SHEETS	SHEET NO.
		KANE	72	31
PROJECT ROAD DIST. NO. 7		ILLINOIS FEEL AND PARAPET		

SHEET NO. 5-12
SHEETS 33

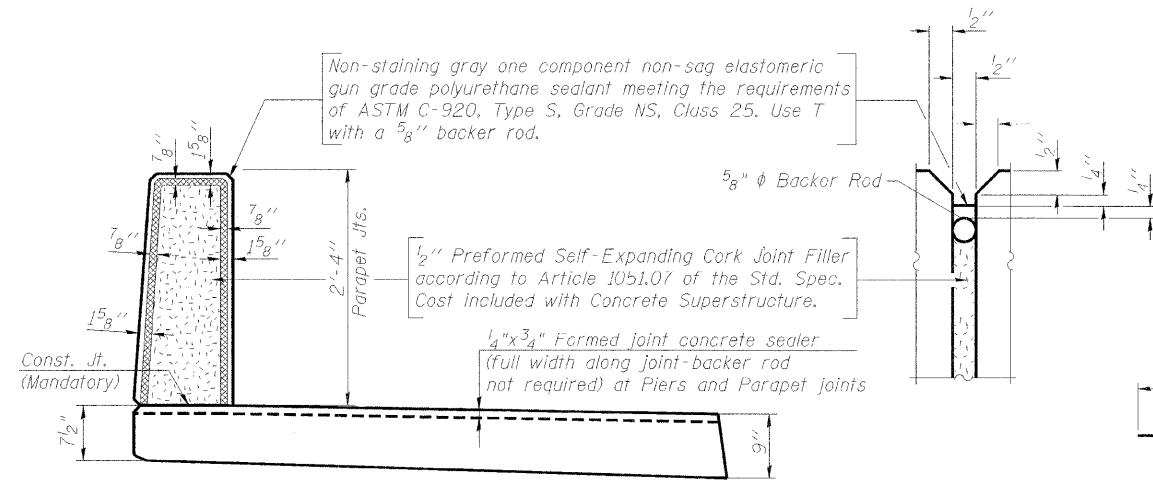
Project No. BROS-DOO(641)
Contract No. 63080



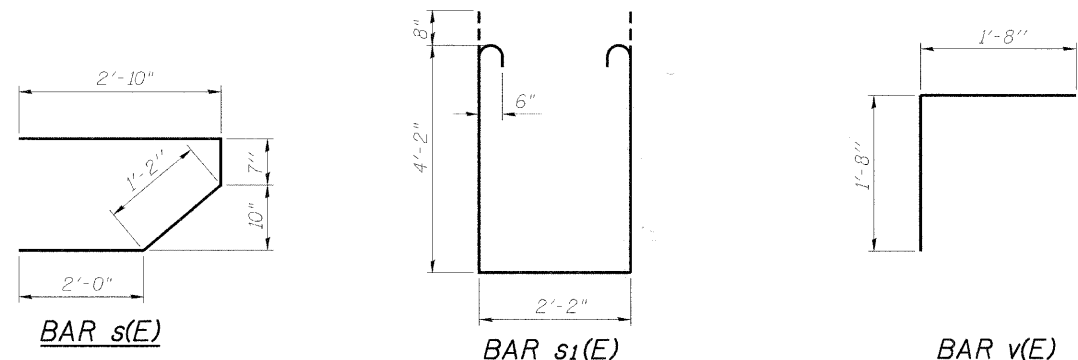
INSIDE ELEVATION OF PARAPET
(LOOKING WEST)

SUPERSTRUCTURE
BILL OF MATERIAL

Bar	No.	Size	Length	Shape
a(E)	335	#5	23'-7"	—
a1(E)	332	#5	16'-11"	—
a2(E)	1028	#5	20'-3"	—
b(E)	76	#6	36'-0"	—
b1(E)	38	#6	34'-4"	—
b2(E)	38	#6	34'-7"	—
b3(F)	960	#5	29'-11"	—
c(E)	560	#5	2'-5"	~
c1(E)	560	#5	5'-7"	—
d(E)	560	#4	5'-6"	L
d1(E)	560	#6	4'-5"	L
d2(E)	116	#4	2'-0"	U
e(E)	36	#4	13'-8"	—
e1(E)	84	#4	19'-8"	—
e2(E)	12	#4	13'-1"	—
e3(E)	12	#4	16'-1"	—
e4(E)	48	#4	16'-7"	—
m(E)	20	#6	21'-3"	—
m1(F)	16	#6	9'-6"	—
m2(E)	8	#6	7'-5"	—
m3(E)	10	#6	6'-6"	—
m4(E)	4	#6	2'-7"	—
s(E)	82	#5	6'-7"	U
s1(E)	72	#5	11'-10"	U
v(E)	80	#5	3'-4"	L
Reinforcement Bars, Epoxy Coated		Pound	89,400	
Concrete Superstructure		Cu. Yds.	475.7	
Bridge Deck Grooving		Sq. Yds.	770	
Protective Coat		Sq. Yds.	1,385	



PARAPET JOINT DETAILS



DESIGNED	200
CHECKED	EXAMINED
DRAWN	PASSED
CHECKED	

S-I-D 9-3-07

REVISIONS	
NAME	DATE

CMT
CRAWFORD MURPHY & TILLY, INC.
CONSULTING ENGINEERS
SPRINGFIELD, IL ■ ALTOONA, IL ■ ST. LOUIS, MO
ROCKFORD, IL ■ PEORIA, IL ■ CHICAGO, IL

ILLINOIS DEPARTMENT OF TRANSPORTATION
PARAPET ELEVATION
WOOD ST. BRIDGE OVER B.M.S.F. R.R.
AND INDIAN CREEK
SECTION - BR STATION 15+24.92
KANE COUNTY STRUCTURE NO. 045-6022

SCALE: DATE: SEPTEMBER 2008 DRAWN BY: MCC CHECKED BY: ATI

WOOD STREET SEC