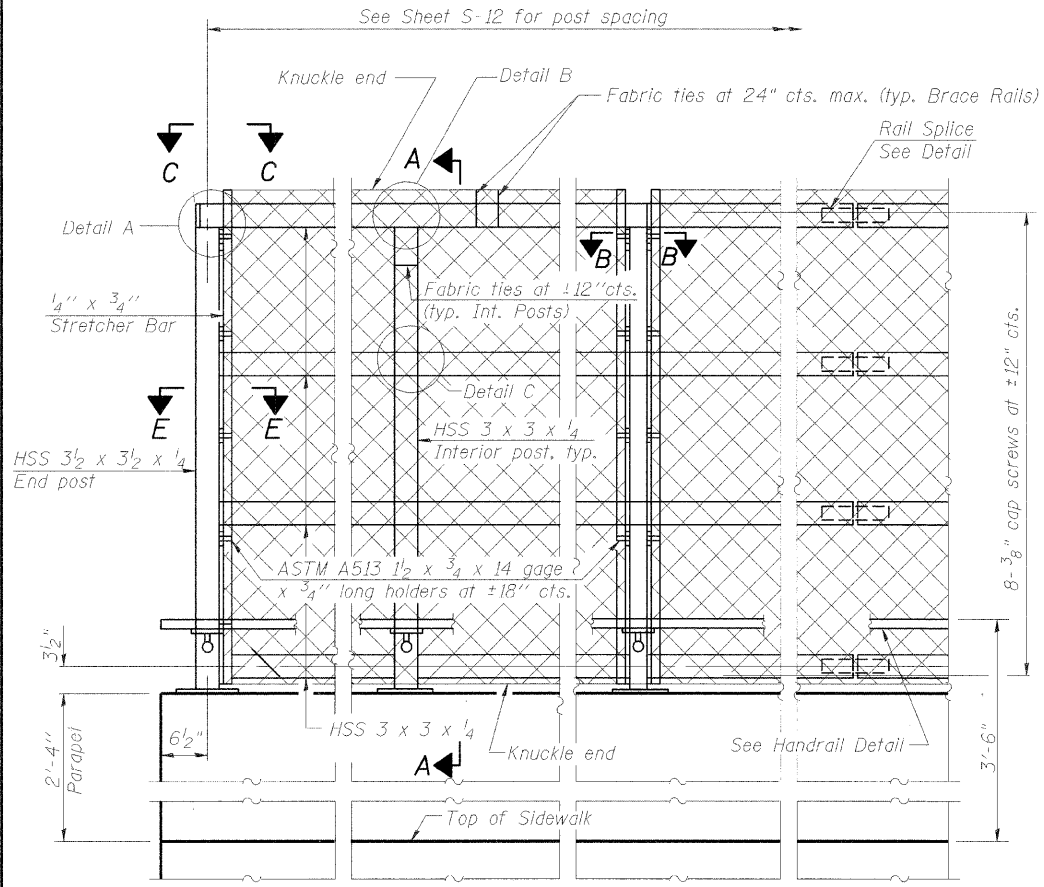


STATE OF ILLINOIS
DEPARTMENT OF TRANSPORTATION

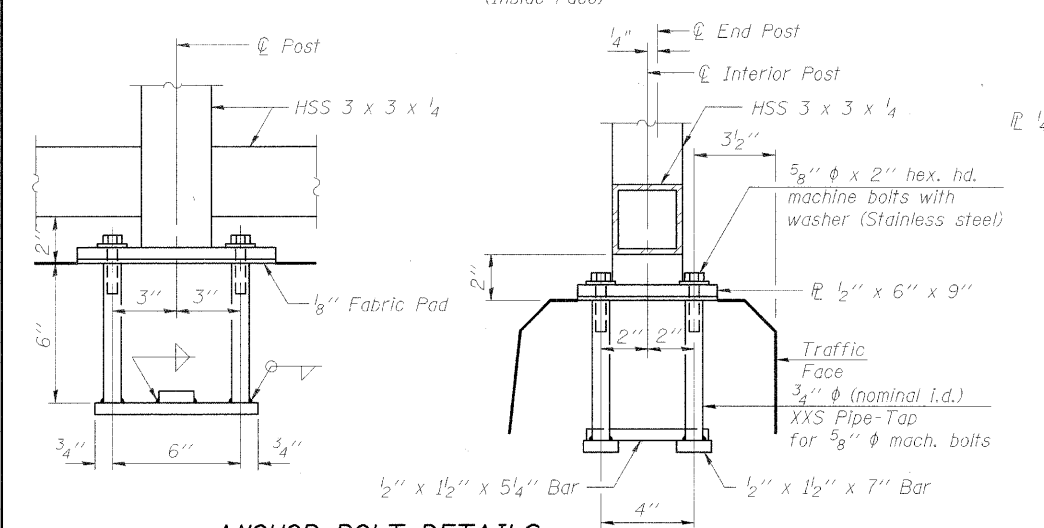
ROUTE NO.	SECTION	COUNTY	TOTAL SHEETS	SHEET NO.
		KANE	72	33
FED. ROAD DIST. NO.		F.I. DIST.	FED. AID PROJECT-	

Project No. BR05-D00(64)
Contract No. 63080

Note:
All steel rail elements shall be galvanized according to Article 509.05 of the Standard Specifications.



ELEVATION
(Inside Face)

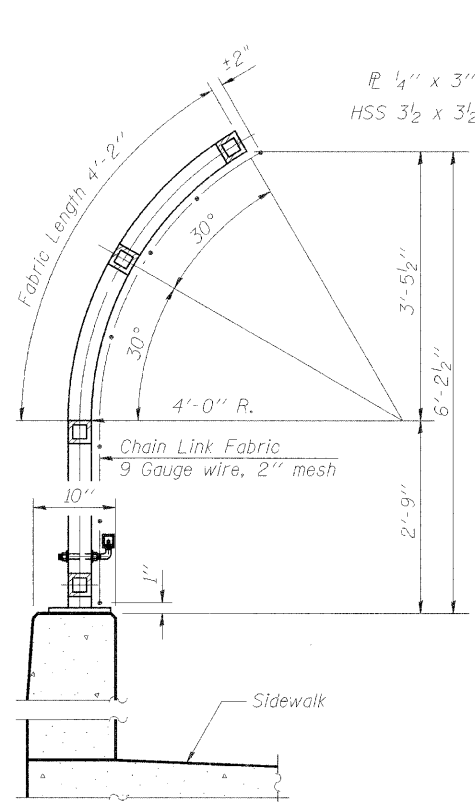


ANCHOR BOLT DETAILS

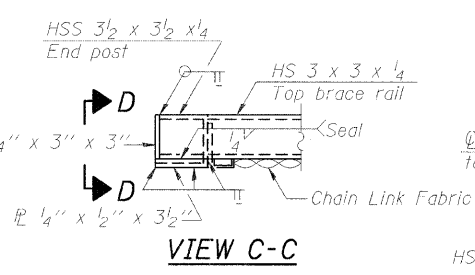
In lieu of the cast-in-place anchor device shown, the Contractor has the option of drilling and setting 5/8" ϕ anchor rods according to Article 509.06 of the Standard Specifications. Embedment shall be according to the manufacturer's specifications.

DESIGNED	200
CHECKED	EXAMINED
DRAWN	PASSED
CHECKED	ENGINEER OF BRIDGES AND STRUCTURES

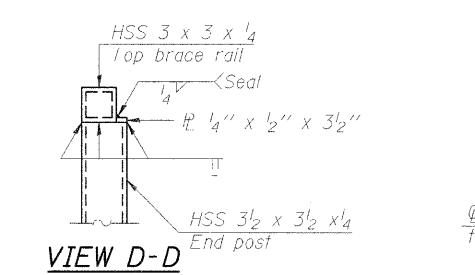
R-32 11-1-06 *Variable - See Plans (10'-0" Maximum Post Spacing)



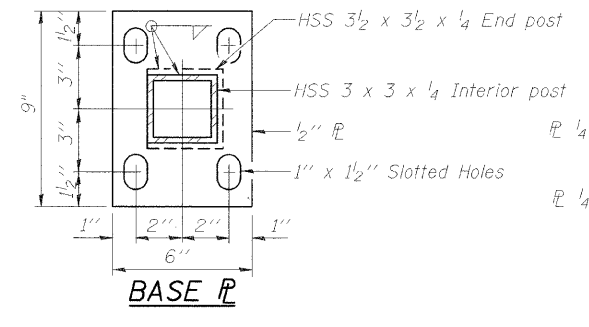
SECTION A-A



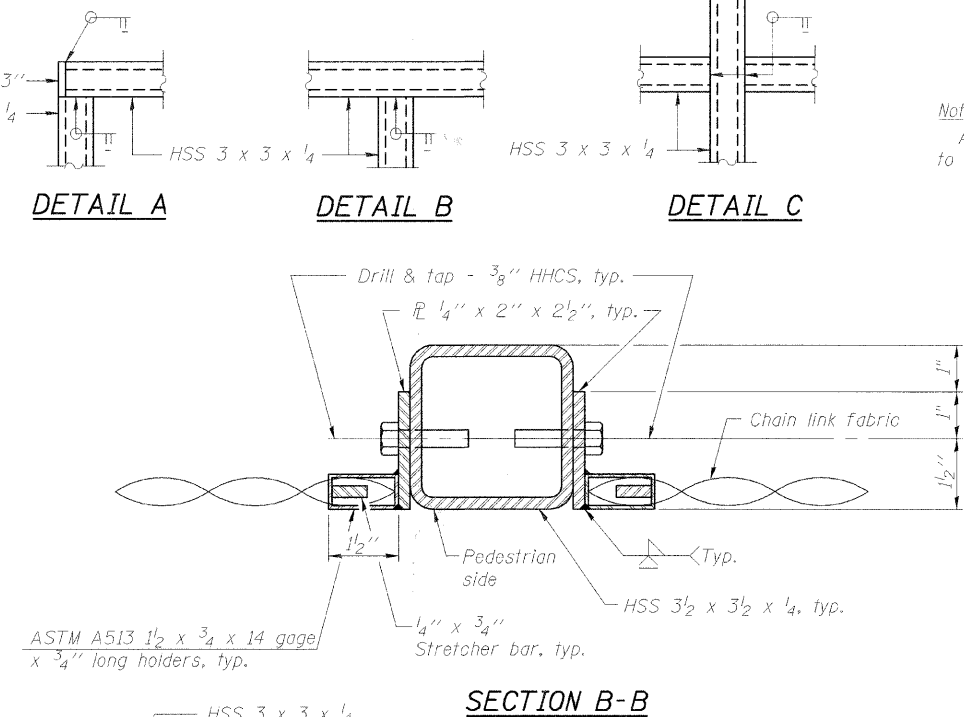
VIEW C-C



VIEW D-D



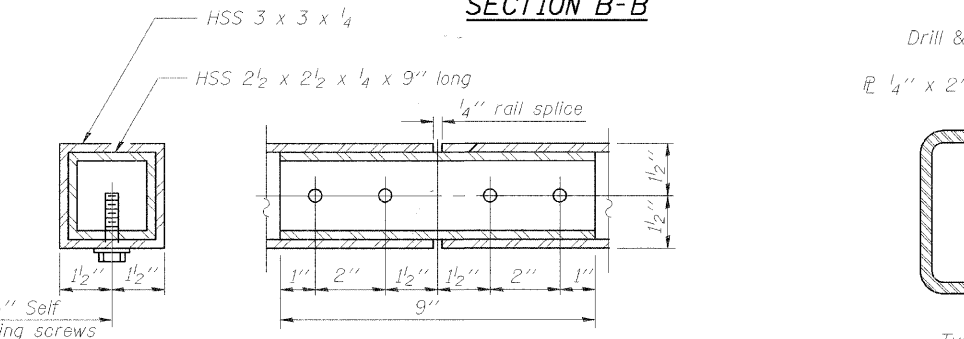
BASE PL



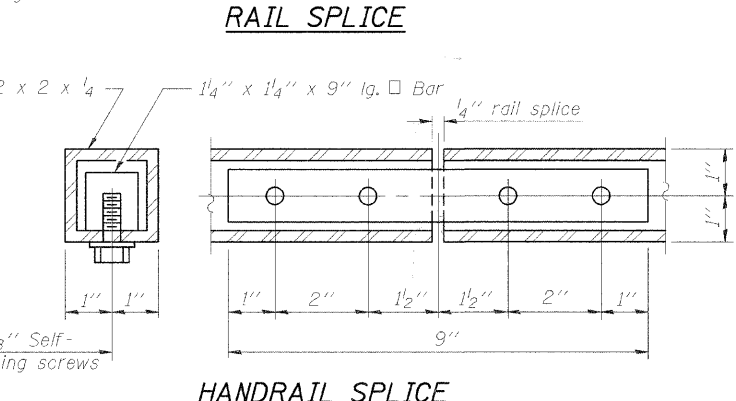
DETAIL A

DETAIL B

DETAIL C

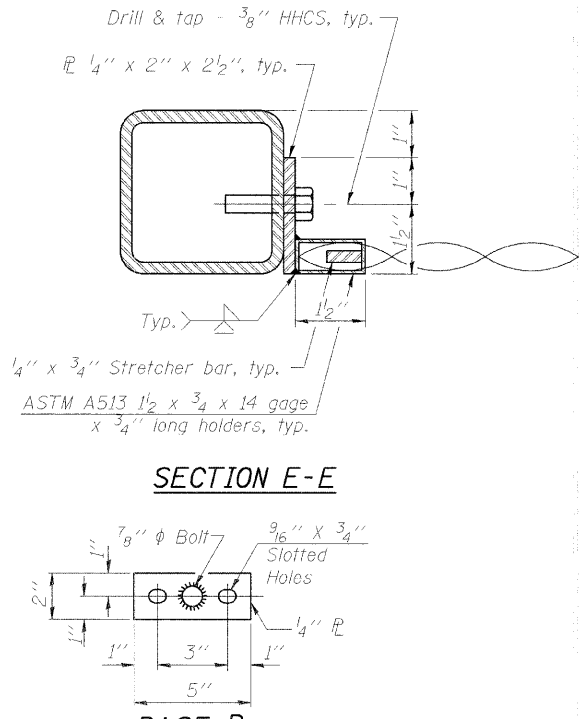


SECTION B-B



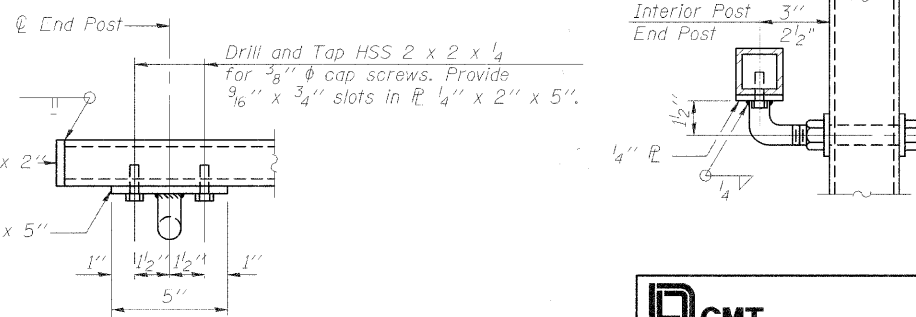
RAIL SPLICE

HANDRAIL SPLICE



SECTION E-E

BASE PL (Handrail)



HANDRAIL DETAIL

BILL OF MATERIAL

Item	Unit	Quantity
Bridge Fence Railing	Foot	558

REVISIONS	NAME	DATE

CMT
CRAWFORD MURPHY & TILLY, INC.
CONSULTING ENGINEERS
SPRINGFIELD, IL ■ AURORA, IL ■ ST. LOUIS, MO
ROCKFORD, IL ■ PEORIA, IL ■ CHICAGO, IL

ILLINOIS DEPARTMENT OF TRANSPORTATION
BRIDGE RAILING DETAIL
WOOD ST. BRIDGE OVER B.N.S.F. R.R.
AND INDIAN CREEK
SECTION -BR STATION I5+24.92
KANE COUNTY STRUCTURE NO. 045-6022

SCALE: DRAWN BY: ERD
DATE: SEPTEMBER 2008 CHECKED BY: ATI