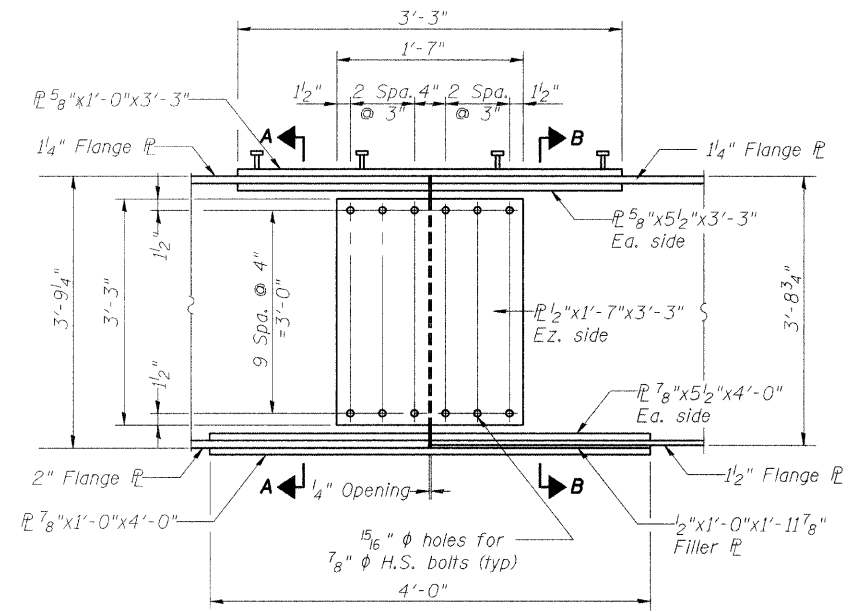


STATE OF ILLINOIS
DEPARTMENT OF TRANSPORTATION

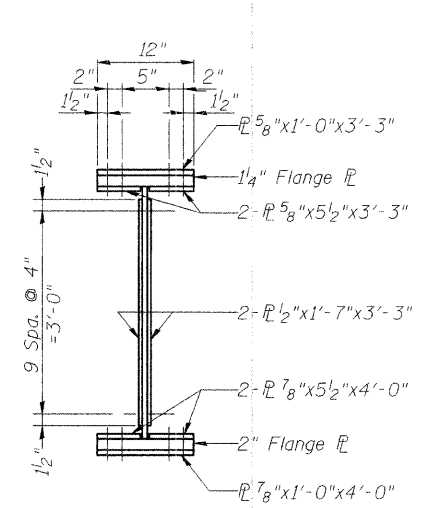
ROUTE NO.	SECTION	COUNTY	TOTAL SHEETS	SHEET NO.
		KANE	72	38
FED. ROAD DIST. NO. 7		ILL. INDS. FED. AID PROJECT		

Project No. BROS-0001(641)
Contract No. 63080

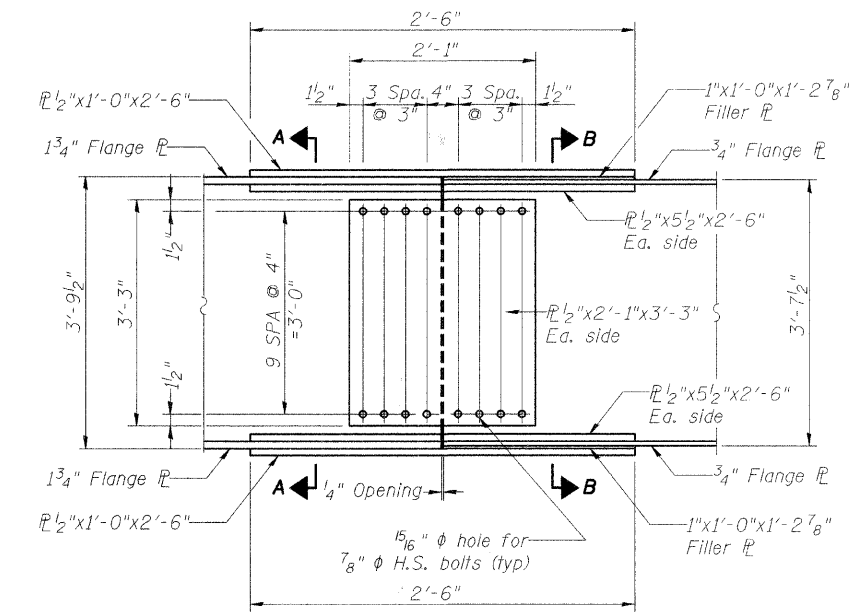
SHEET NO. S-19
SHEETS 33



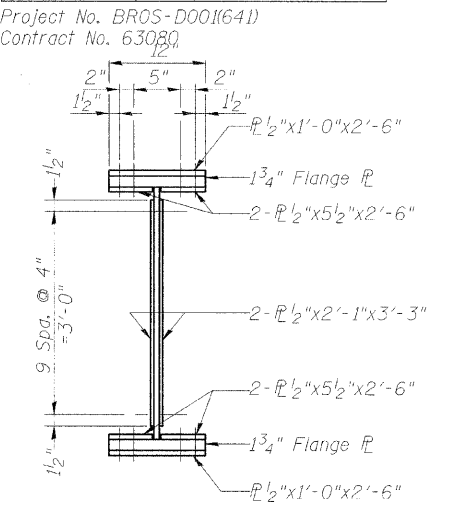
SPLICE-3 ELEVATION



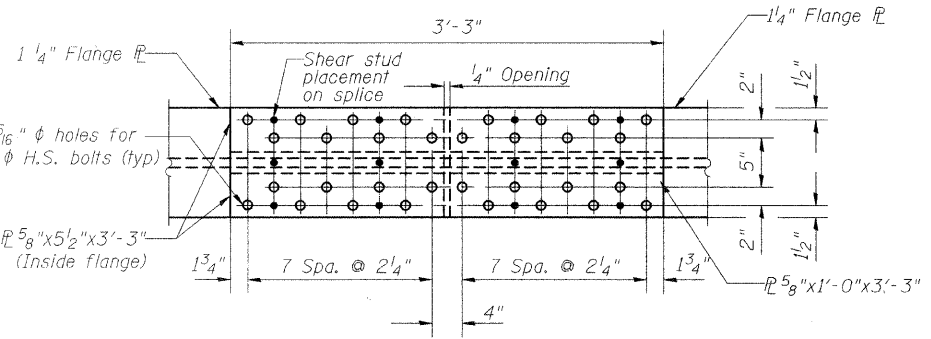
SECTION A-A



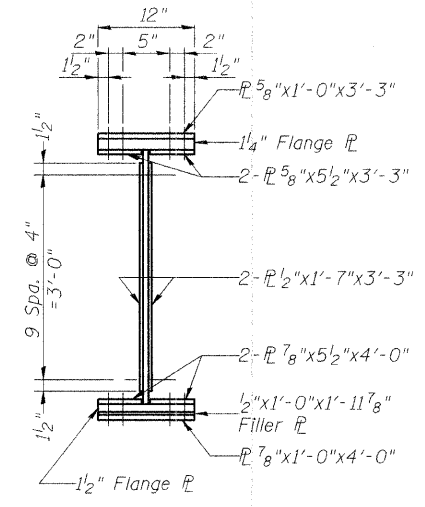
SPLICE-4 ELEVATION



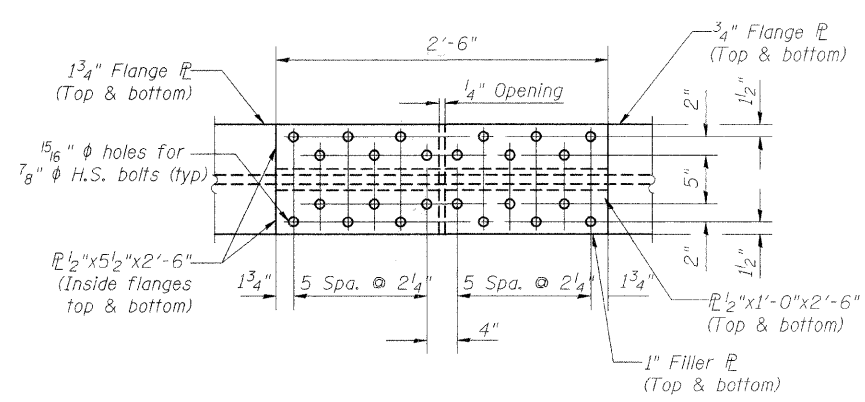
SECTION A-A



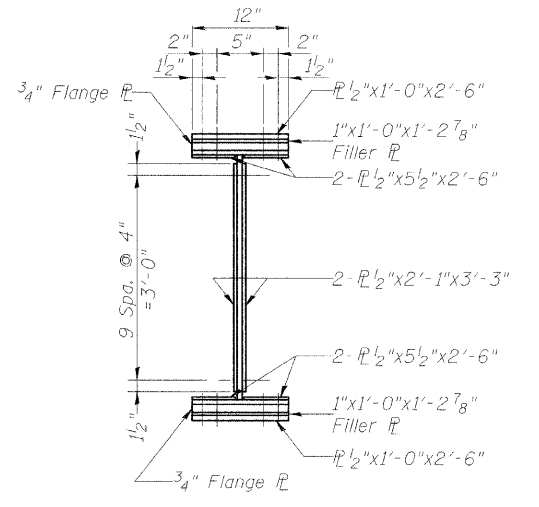
TOP VIEW



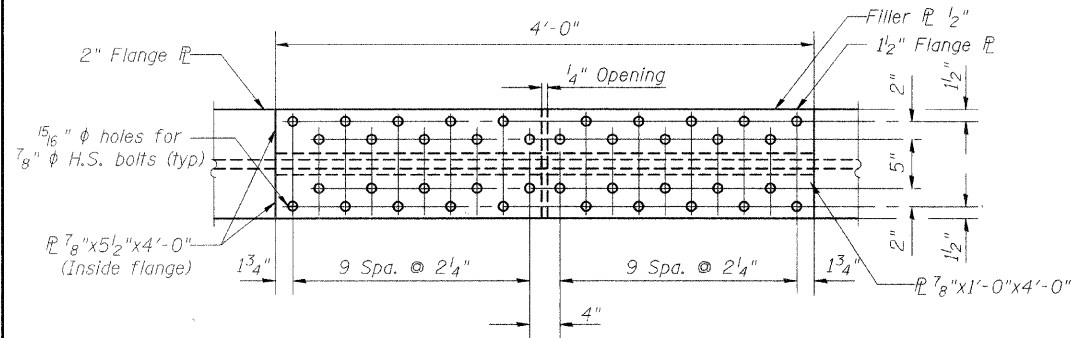
SECTION B-B



TOP & BOTTOM VIEW



SECTION B-B



BOTTOM VIEW

Note:
All structural steel shall be AASHTO M 270 Grade 50.
All splice plates shall conform to the Supplemental Requirements for Notch Toughness, Zone 2.

DESIGNED	200
CHECKED	EXAMINED
DRAWN	ENGINEER OF BRIDGE DESIGN
CHECKED	ENGINEER OF BRIDGES AND STRUCTURES

CMT
CRAWFORD MURPHY & TILLY, INC.
CONSULTING ENGINEERS
SPRINGFIELD, IL ■ AURORA, IL ■ ST. LOUIS, MO
ROCKFORD, IL ■ PEORIA, IL ■ CHICAGO, IL

REVISIONS	
NAME	DATE

ILLINOIS DEPARTMENT OF TRANSPORTATION
SPLICE DETAILS-II
WOOD ST. BRIDGE OVER B.N.S.F. R.R.
AND INDIAN CREEK
SECTION -BR STATION 15+24.92
KANE COUNTY STRUCTURE NO. 045-6022

SCALE: DATE: SEPTEMBER 2008 DRAWN BY: MCC CHECKED BY: ATI