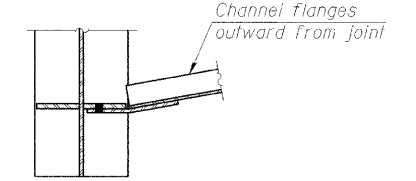


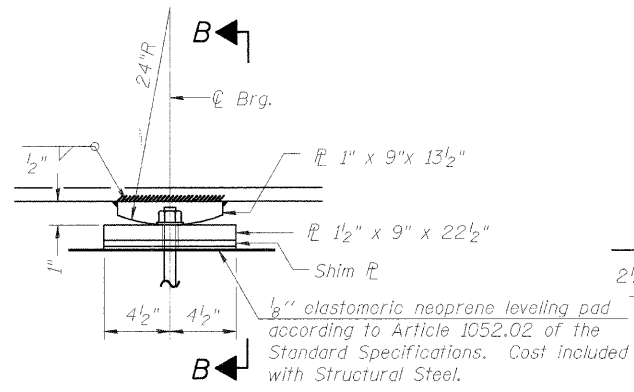
STATE OF ILLINOIS  
DEPARTMENT OF TRANSPORTATION

FIGURE NO.	SECTION	COUNTY	TOTAL SHEETS	SHEET NO.
		KANE	72	39
FED. ROAD DIST. NO. 7		ILL. HIGHWAY PROJECT		

Project No. BR05-DO01641  
Contract No. 63080

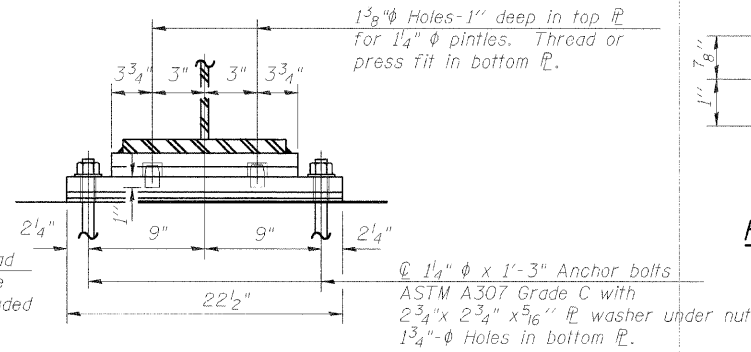


SECTION A-A

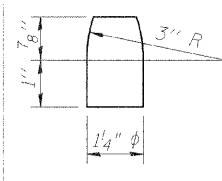


ELEVATION

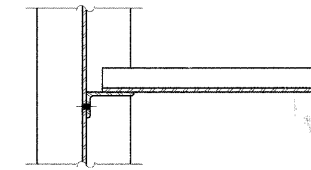
FIXED BEARING - PIER 1



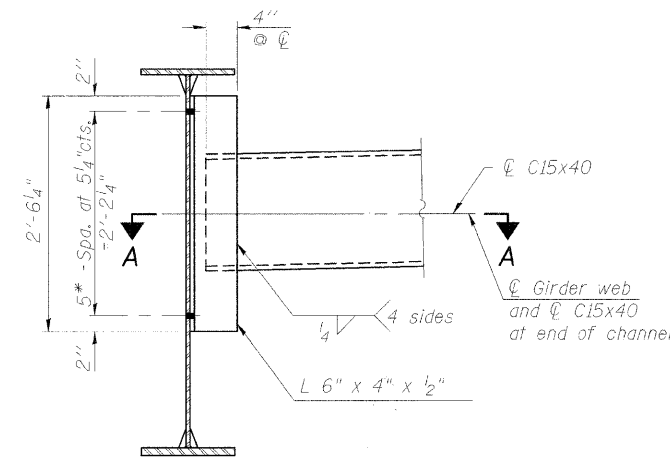
SECTION B-B



PINTLE



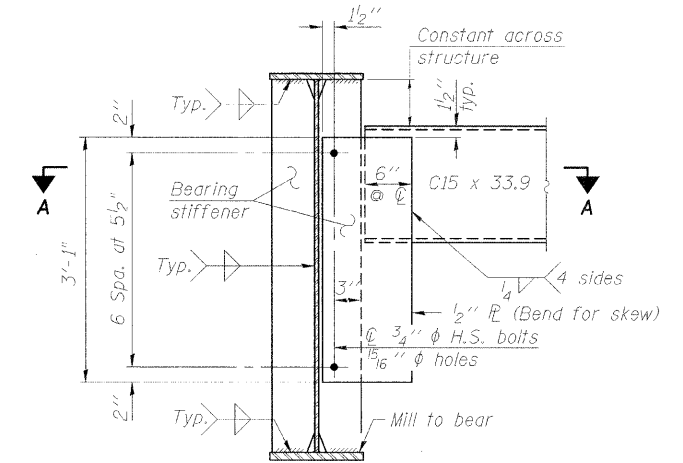
SECTION A-A



INTERIOR DIAPHRAGM - D

Note:  
Two hardened washers required for each set of oversized holes.

\* 3/4" φ HS bolts, 1 5/16" φ holes



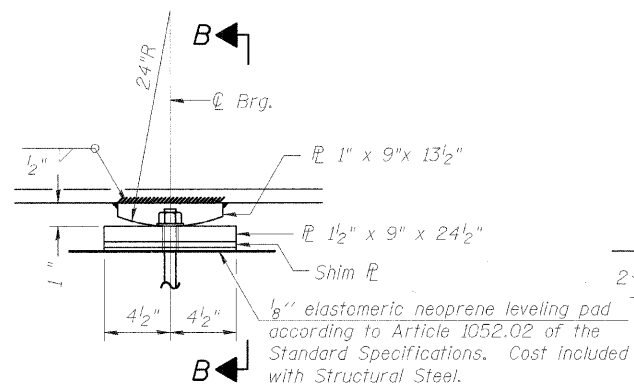
END DIAPHRAGM - D1

Note:  
Two hardened washers required for each set of oversized holes.

BILL OF MATERIAL

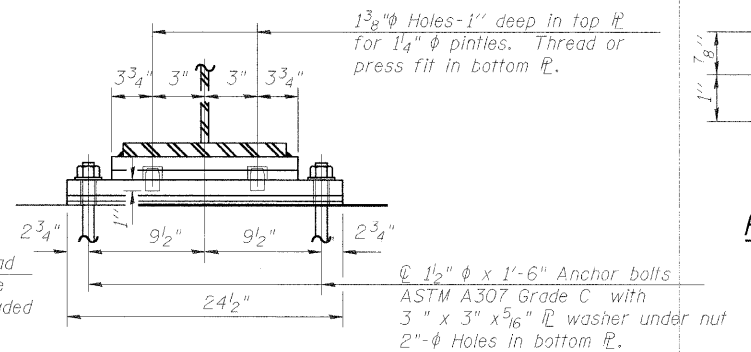
Item	Unit	Total
Anchor Bolts, 1"	Each	24
Anchor Bolts, 1 1/4"	Each	12
Anchor Bolts, 1 1/2"	Each	12

Notes:  
All structural steel shall be AASHTO M 270 Grade 50.  
Anchor bolts shall be ASTM F1554 all-thread (or an Engineer-approved alternate material) of the grade(s) and diameter(s) specified. ASTM A307 Grade C anchor bolts may be used in lieu of ASTM F1554 Grade 36 (Fy=36ksi). The corresponding specified grade of AASHTO M314 anchor bolts may be used in lieu of ASTM F1554.  
Anchor bolts at fixed bearings may be either cast in place or installed in holes drilled after the supported member is in place.  
Drilled and set anchor bolts shall be installed according to Article 521.06 of the Standard Specifications.  
For General Notes, see Sheet S-2 of S-32.

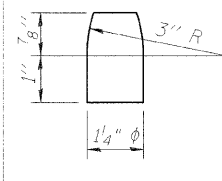


ELEVATION

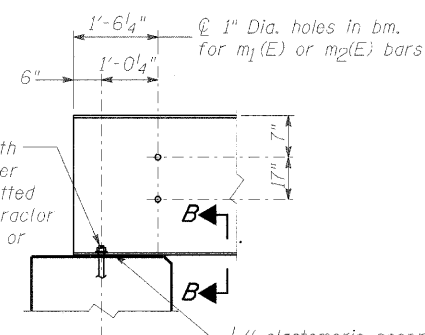
FIXED BEARING - PIER 2



SECTION B-B



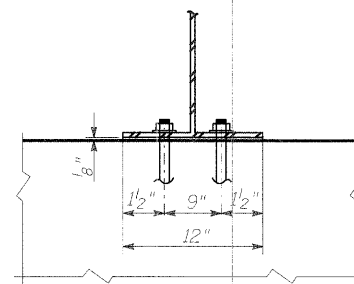
PINTLE



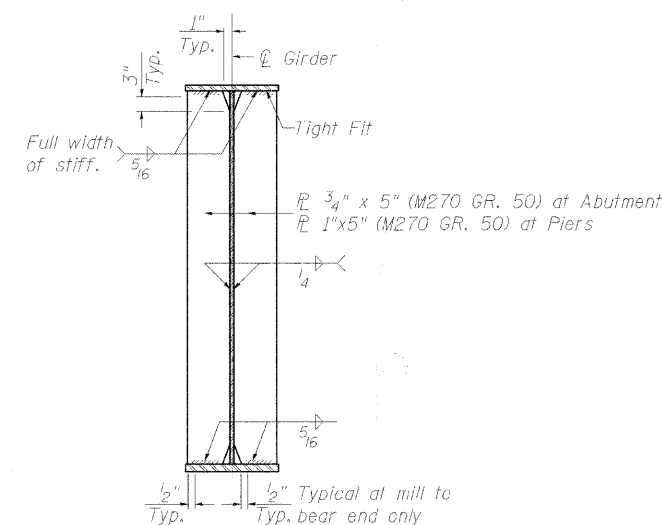
1" Dia. x 12" anchor bolt with 2 1/4" x 2 1/4" x 5/16" plate washer under nut and 1 3/8" x 2" slotted hole in bottom flange. Contractor has option of cast-in-place or drilled installation.

1/8" elastomeric neoprene mat according to Article 1052.02 of the Standard Specifications. Cost included with Furnishing and Erecting Structural Steel.

END OF BEAM ELEVATION



SECTION B-B



BEARING STIFFERS AT ABUTMENT AND PIERS

DESIGNED	200
CHECKED	EXAMINED
DRAWN	PASSED
CHECKED	

1-2-E!

11-1-06

CMT  
CRAWFORD MURPHY & TILLY, INC.  
CONSULTING ENGINEERS  
SPRINGFIELD, IL ■ AURORA, IL ■ ST. LOUIS, MO  
ROCKFORD, IL ■ PEORIA, IL ■ CHICAGO, IL

REVISIONS	
NAME	DATE

ILLINOIS DEPARTMENT OF TRANSPORTATION  
FRAMING & BEARING DETAILS  
WOOD ST. BRIDGE OVER B.N.S.F. R.R.  
AND INDIAN CREEK  
SECTION -BR STATION 15+24.92  
KANE COUNTY STRUCTURE NO. 045-6022

SCALE:  
DATE: SEPTEMBER 2008

DRAWN BY: ERD  
CHECKED BY: ATI

WOOD STREET

SEC