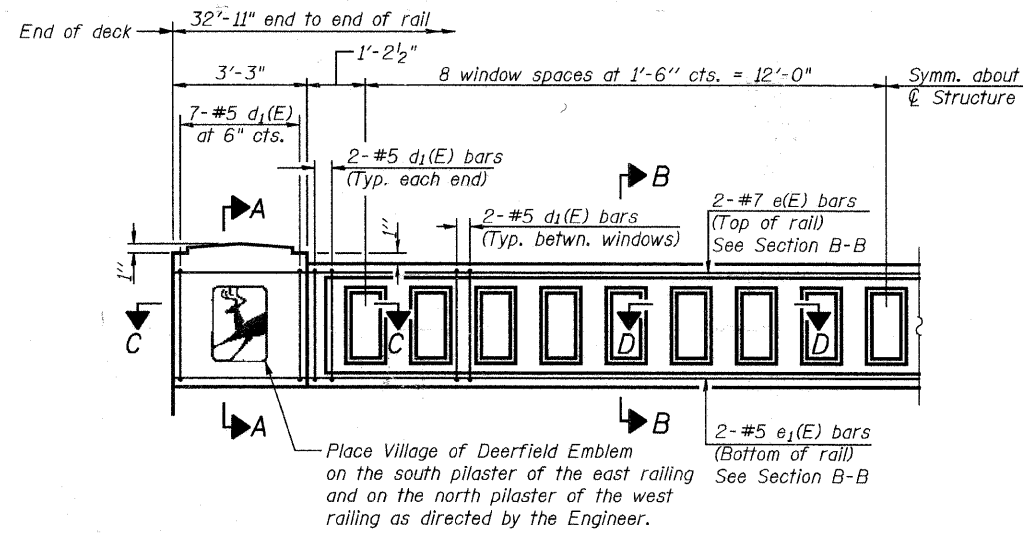
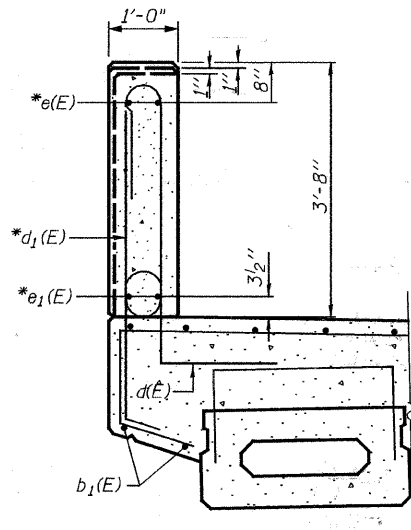


STATE OF ILLINOIS
DEPARTMENT OF TRANSPORTATION



INSIDE ELEVATION OF RAIL



SECTION A-A

RAILING BAR LIST
ONE RAILING ONLY

(For Information Only)

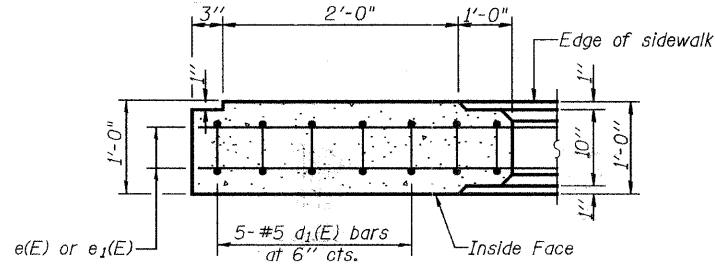
Bar	No.	Size	Length	Shape
d ₁ (E)	50	#5	8'-8"	
e(E)	2	#7	32'-7"	
e ₁ (E)	2	#5	32'-7"	

*Bars e(E) thru e₁(E) and d₁(E) are included in the cost of Concrete Bridge Railing, Sidewalk Mounted.

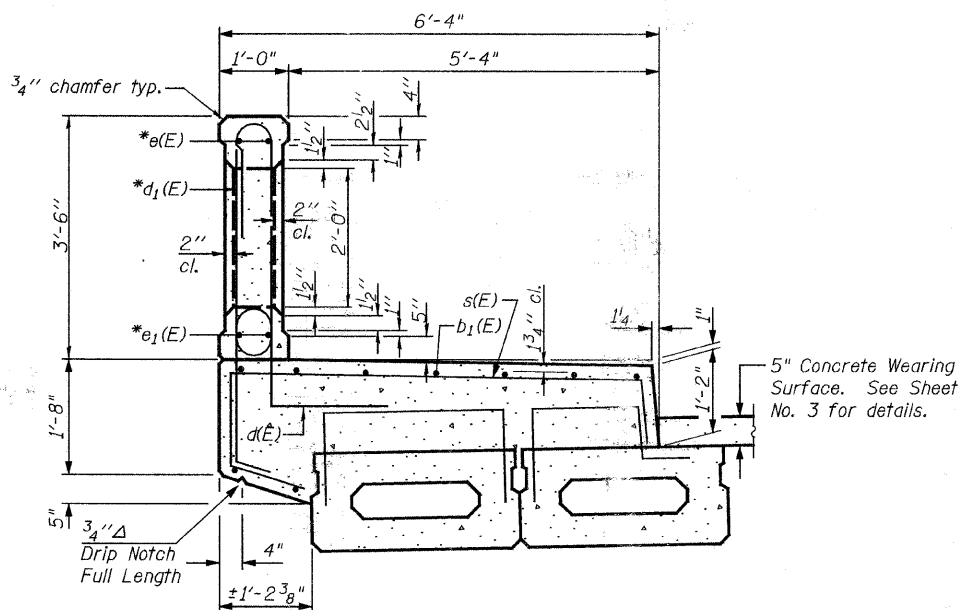
Notes:

All concrete for railing wall shall be Class BS according to Article 1020.04 of the Standard Specifications. Surface of railing shall receive a rubbed finish according to Article 503.15(b) of the Standard Specifications.
All parts of the railing including concrete and reinforcing will be paid for at the contract unit price per foot for Concrete Bridge Railing, Sidewalk Mounted. Holes and recesses must be formed or cored. Drilling is not permitted. All construction joints shall be bonded unless otherwise noted. Work this sheet with Sheet No. 3.

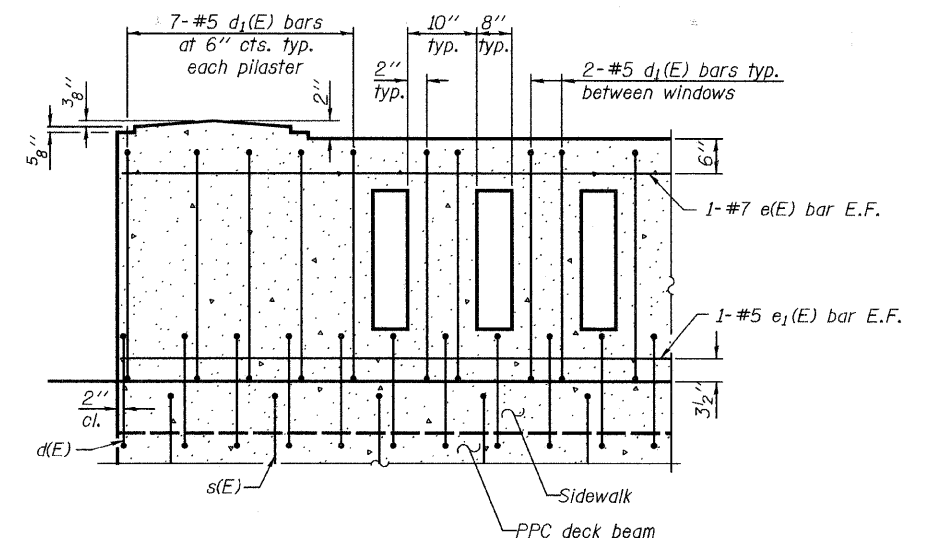
DESIGNED	SCHELBIAN
CHECKED	JBUCHOLC
DRAWN	SCHELBIAN
CHECKED	JBUCHOLC



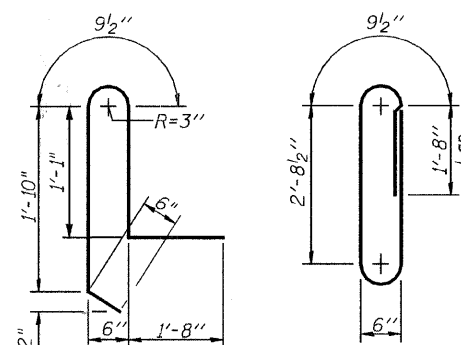
SECTION C-C



SECTION B-B

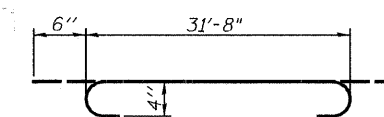


TYPICAL REINFORCEMENT PLACEMENT
(Inside Face)

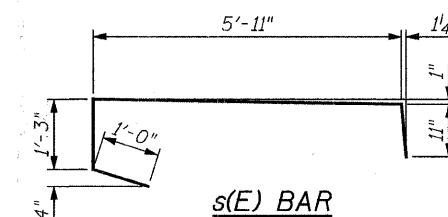


BAR d(E)

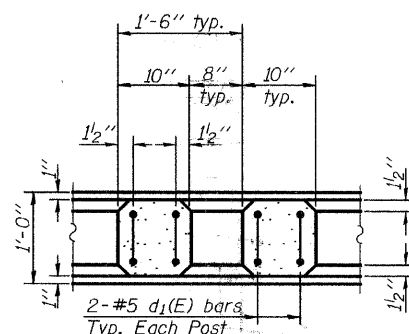
BAR d₁(E)



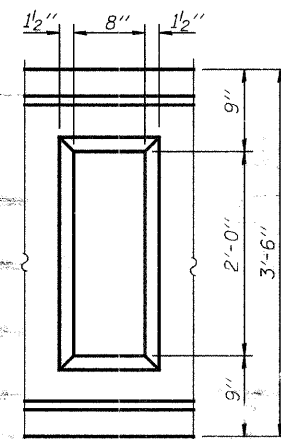
d(E) BAR



s(E) BAR



SECTION D-D



WINDOW DETAIL

SUPERSTRUCTURE
BILL OF MATERIAL

Bar	No.	Size	Length	Shape
d(E)	34	#4	32'-8"	
b(E)	32	#4	32'-7"	
b ₁ (E)	18	#5	32'-7"	
d(E)	74	#5	5'-10"	
s(E)	68	#5	9'-1"	
Reinforcement Bars, Epoxy Coated			Pound	3,150
Concrete Superstructure			Cu. Yds.	21.6
Bridge Deck Grooving			Sq. Yds.	109
Protective Coat			Sq. Yds.	190
Concrete Wearing Surface, 5"			Sq. Yds.	117
Concrete Bridge Railing, Sidewalk Mounted			Foot	66

* See Special Provisions

SUPERSTRUCTURE & RAILING DETAILS
STRUCTURE NO. 049-6151



100 South Wacker Drive, Suite 500
Chicago, IL 60606
Tel: 312.939.1000
Fax: 312.939.4198

SHEET NO. 4 7 SHEETS	F.A.U. RTE.	SECTION	COUNTY	TOTAL SHEETS	SHEET NO.
	2718	08-00081-00-BR	LAKE	26	15
CONTRACT NO. 63085					
FED. ROAD DIST. NO. - ILLINOIS FED. AID PROJECT					