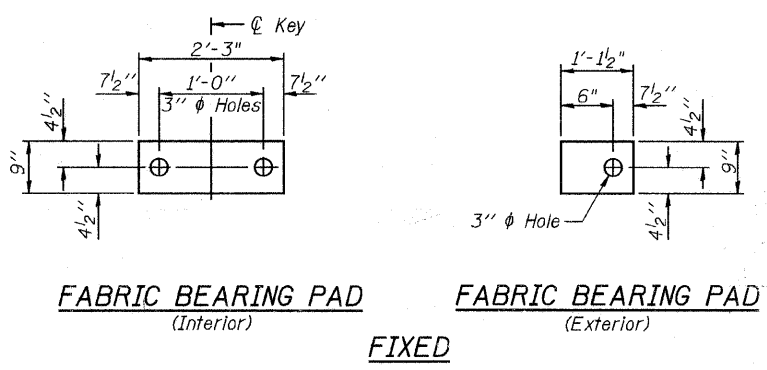
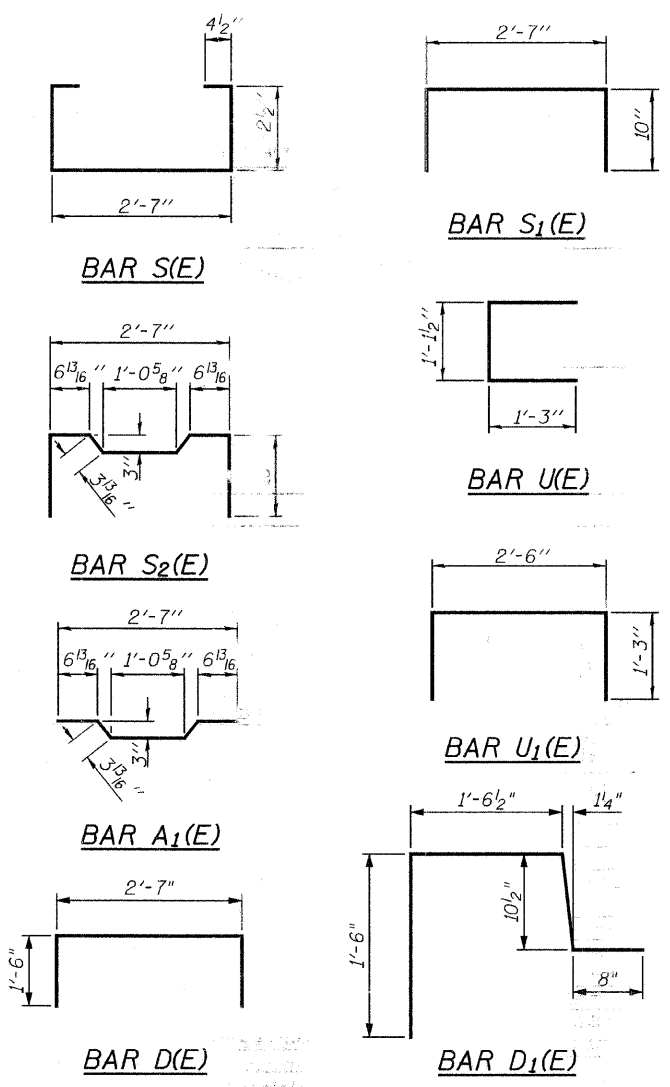
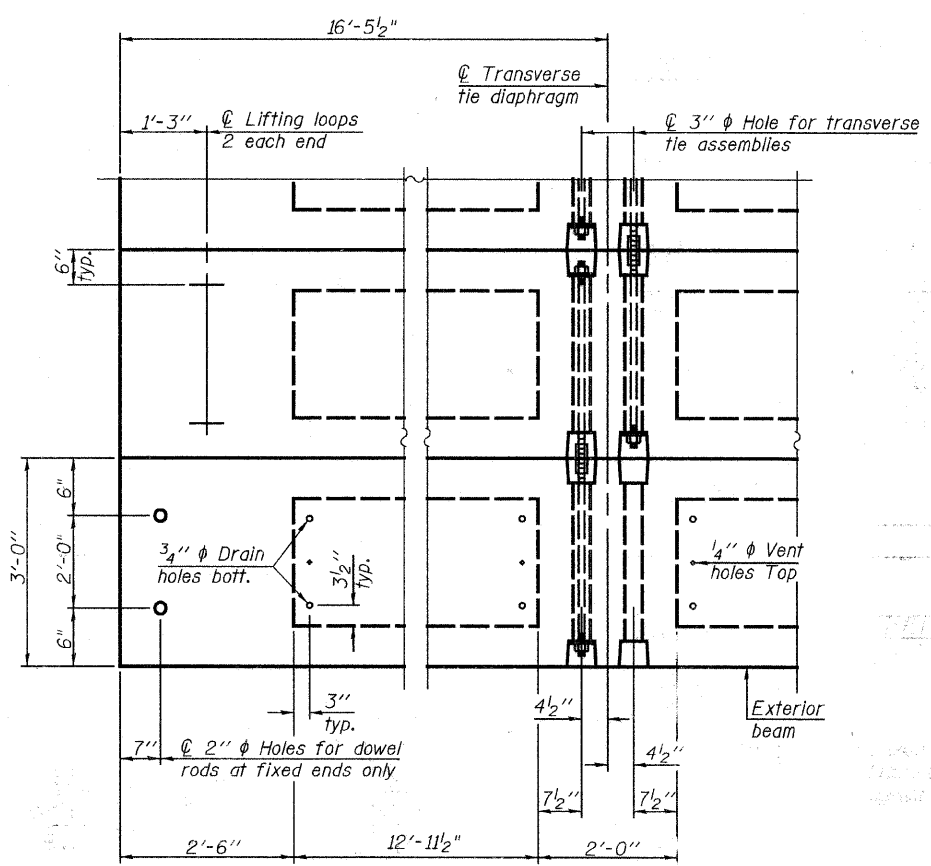
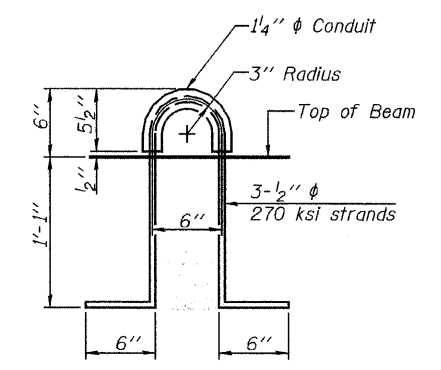
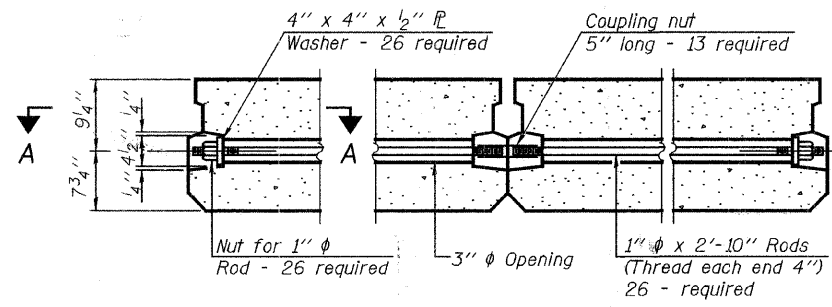
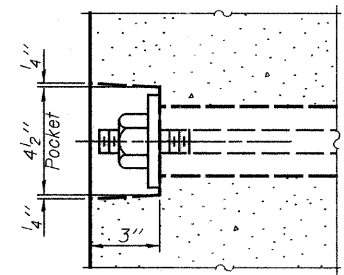


STATE OF ILLINOIS
DEPARTMENT OF TRANSPORTATION



FIXED



**BAR LIST
ONE BEAM ONLY
(For information only)**

Bar	No.	Size	Length	Shape
A(E)	10	#4	2'-7"	—
A ₁ (E)	20	#4	2'-11"	—
B(E)	4	#5	32'-8"	—
B ₁ (E)	3	#4	32'-8"	—
D(E)	45	#4	5'-7"	—
D ₁ (E)	45	#4	4'-7"	—
S(E)	48	#4	5'-9"	—
S ₁ (E)	10	#4	4'-3"	—
S ₂ (E)	38	#4	4'-6"	—
U(E)	8	#5	3'-8"	—
U ₁ (E)	2	#4	5'-0"	—

Beams 1 & 14 Only
Beams 2 & 13 Only

Notes:
Prestressing steel shall be uncoated high strength, low relaxation 7-wire strand, Grade 270. The nominal diameter shall be 1/2" and the nominal cross-sectional area shall be 0.153 sq. in.
The 1" rods in the transverse tie assembly shall be tightened to a snug fit and the threads set. Pockets on exterior faces of bridge shall be filled with grout after transverse tie assembly is in place.
Reinforcement bars shall conform to ASTM A 706, Grade 60. (See Special Provisions).
Two 3/8" fabric adjusting shims of the dimensions of the exterior bearing pad shall be provided for each bearing pad location.
A minimum 2 1/2" lifting pin shall be used to engage the lifting loops during handling.
Corrosion Inhibitor, per Article 1020.05(b)(12) and 1021.06 of the Standard Specifications, shall be used in the concrete for precast prestressed concrete deck beams.
Compressive strength of prestressed concrete, f'c, shall be 6000 psi.
Compressive strength of prestressed concrete at release, f'ci, shall be 5000 psi.
See Sheet No. 5 for additional details.

BILL OF MATERIAL

* Precast Prestressed Conc. Deck Bms. (17" depth)	Sq. Ft.	1383
---	---------	------

* See Special Provisions

DESIGNED	SHELBIAN
CHECKED	JBUCHOLC
DRAWN	SHELBIAN
CHECKED	JBUCHOLC

**PPC DECK BEAM DETAILS
STRUCTURE NO. 049-6151**

SHEET NO. 6 7 SHEETS	F.A.U. RTE.	SECTION	COUNTY	TOTAL SHEETS	SHEET NO.
	2718	08-00081-00-BR	LAKE	26	17
CONTRACT NO. 63085					
FED. ROAD DIST. NO. - ILLINOIS FED. AID. PROJECT					

URS
100 South Wacker Drive, Suite 500
Chicago, IL 60606
Tel: 312.939.1000
Fax: 312.939.4198