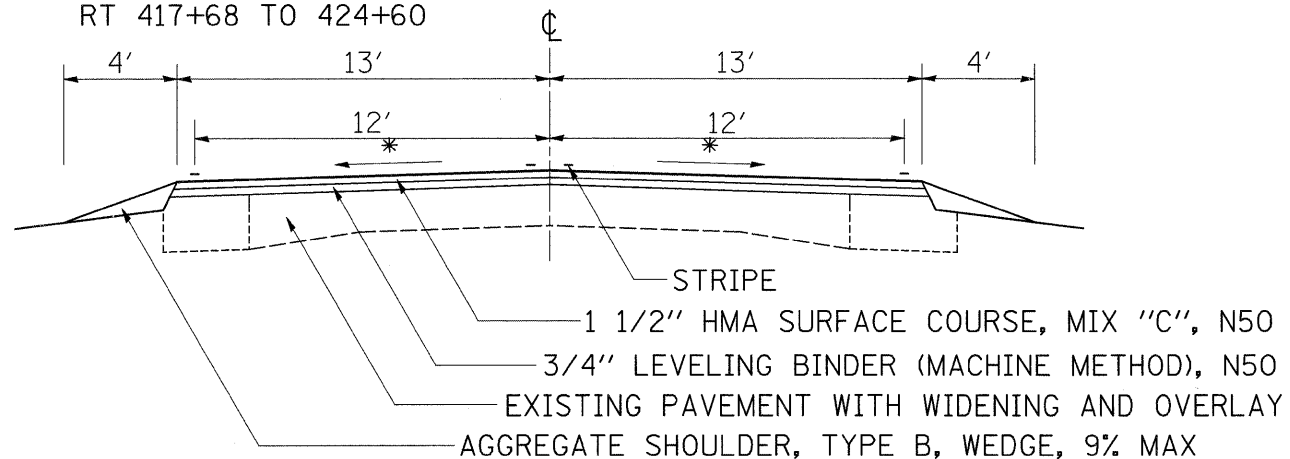


TYPICAL SECTIONS

RESURFACING

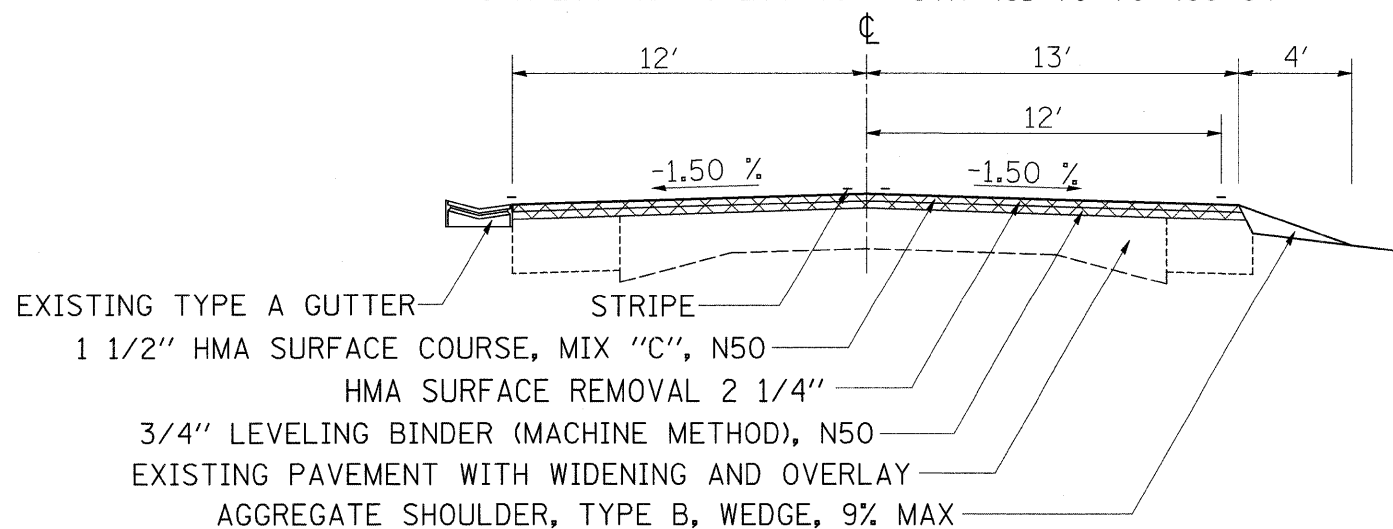
LT & RT 0+45 TO 12+15	RT 449+00 TO 473+70
LT & RT 18+41 TO 56+90	LT & RT 473+70 TO 479+64
LT & RT 62+56 TO 73+00	LT & RT 489+36 TO 491+70
LT & RT 90+30 TO 109+75	RT 491+70 TO 501+30
LT & RT 117+02 TO 153+58	LT & RT 501+30 TO 504+70
LT & RT 155+50 TO 205+98	RT 504+70 TO 508+00
LT & RT 212+90 TO 227+69	LT & RT 508+00 TO 516+30
LT & RT 280+14 TO 304+85	RT 516+30 TO 525+25
LT & RT 308+45 TO 312+66	LT & RT 525+25 TO 541+03
RT 312+66 TO 313+60	LT 541+03 TO 550+02
LT & RT 328+00 TO 336+30	LT & RT 550+02 TO 551+18
RT 349+50 TO 363+20	LT & RT 553+21 TO 554+30
LT 373+30 TO 375+50	LT 554+30 TO 561+12
LT & RT 375+50 TO 393+10	RT 561+12 TO 576+30
RT 393+10 TO 395+90	LT & RT 576+30 TO 577+55
RT 417+68 TO 424+60	



* MAINTAIN EXISTING CROSS-SLOPE, 1% MINIMUM, 1.5% DESIRED

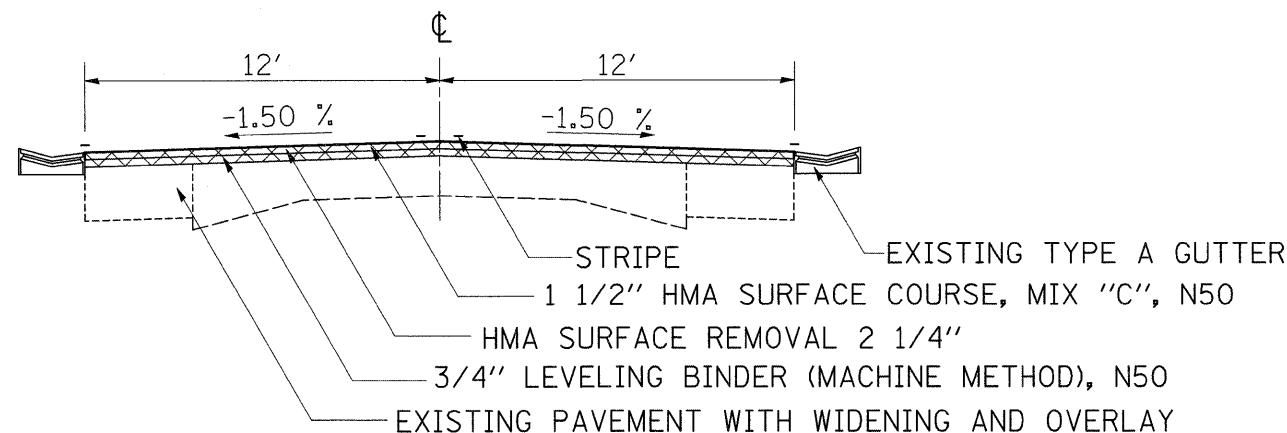
RESURFACING

STA 12+60 TO 17+96	STA 238+80 TO 240+35
STA 115+00 TO 116+57	STA 277+83 TO 279+69
STA 206+43 TO 206+65	STA 491+70 TO 496+94



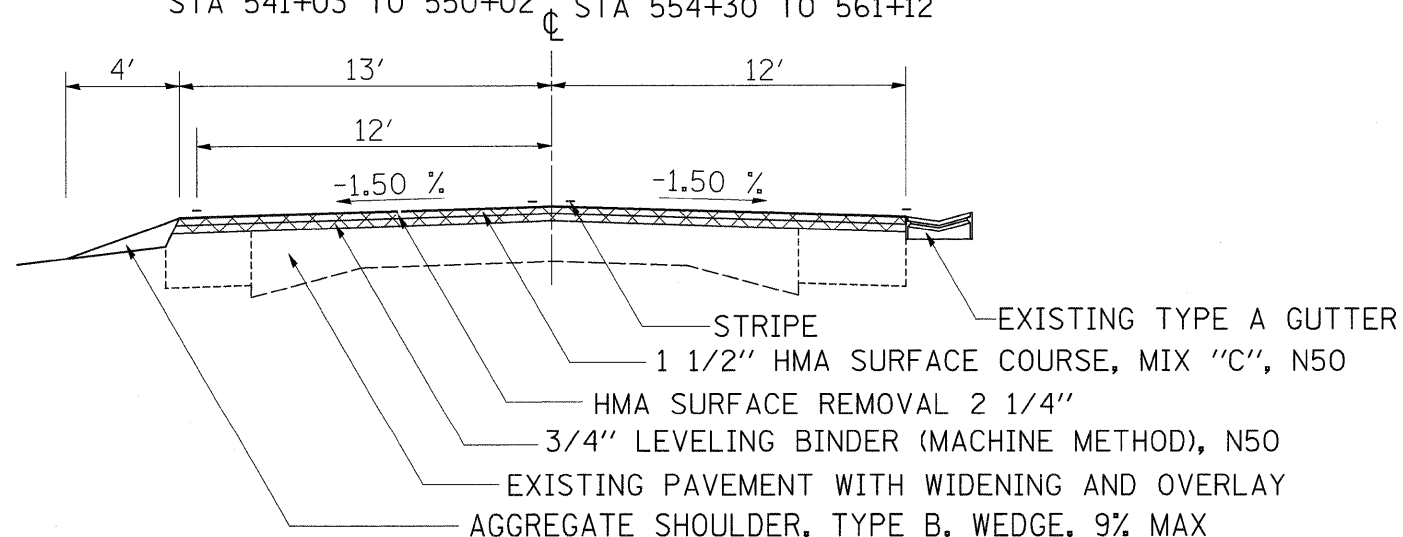
RESURFACING

STA 110+95 TO 115+00	STA 240+35 TO 241+90
STA 206+65 TO 210+69	STA 265+98 TO 277+83
STA 228+14 TO 237+22	



RESURFACING

STA 57+35 TO 62+11	STA 110+20 TO 110+95
STA 73+45 TO 89+85	STA 210+69 TO 212+45
STA 541+03 TO 550+02	STA 554+30 TO 561+12



HMA 112 LBS/SY/IN

FILE NAME =	USER NAME = dssedd	DESIGNED -	REVISED -	STATE OF ILLINOIS DEPARTMENT OF TRANSPORTATION	IL 73				F.A.P. RTE.	SECTION	COUNTY	TOTAL SHEETS	SHEET NO.		
et\pwork\pwork\DOT\DOSSDD\dms33571\d82977.dgn		DRAWN -	REVISED -		SCALE:	SHEET NO.	OF	SHEETS	STA.	TO STA.	654	(107, 108, 109)RS-4	STEPHENSON	89	9
PLOT SCALE = 50.0000' / IN.		CHECKED -	REVISED -						CONTRACT NO. 64C91						
PLOT DATE = Fri Oct 03 08:42:21 2008		DATE -	REVISED -		FED. ROAD DIST. NO. 2 ILLINOIS FED. AID PROJECT										