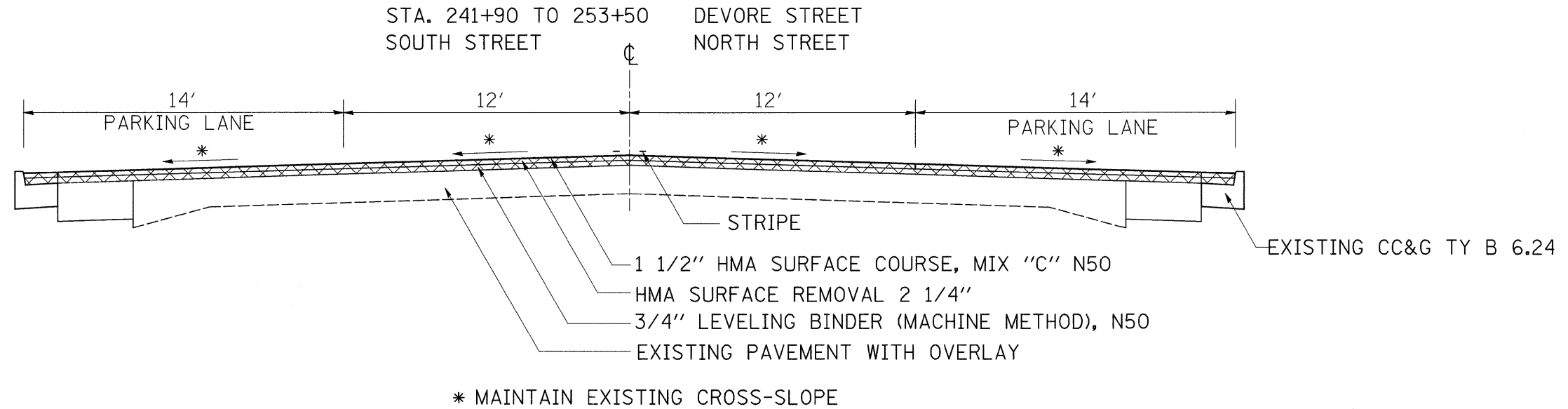


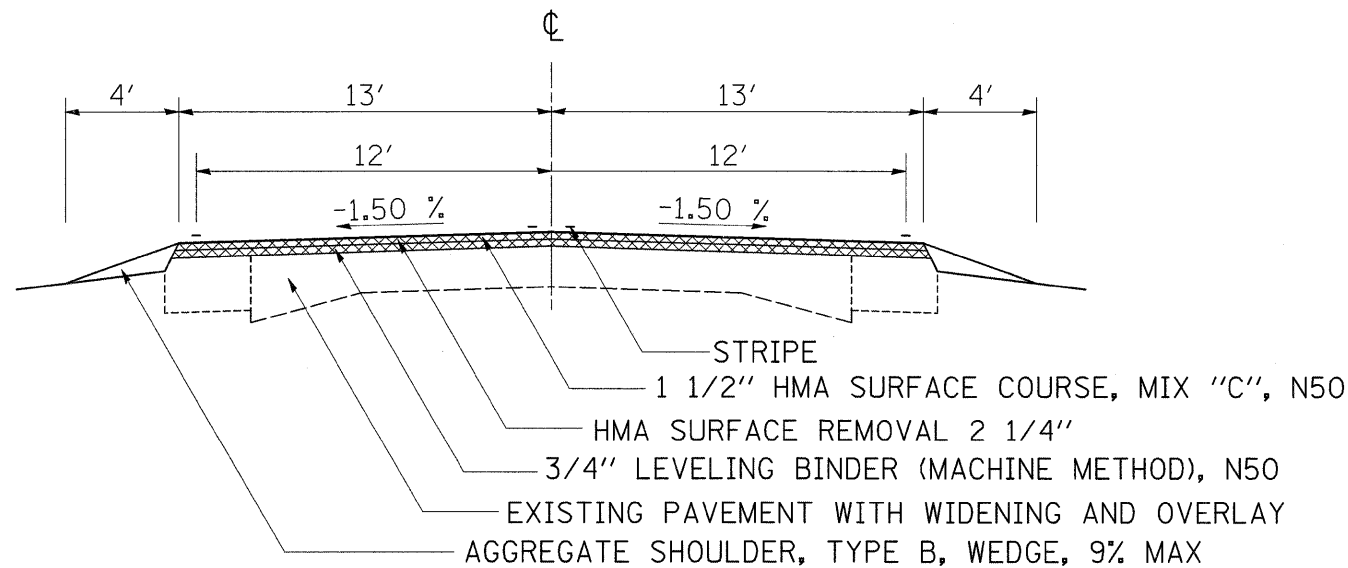
TYPICAL SECTIONS

RESURFACING



RESURFACING

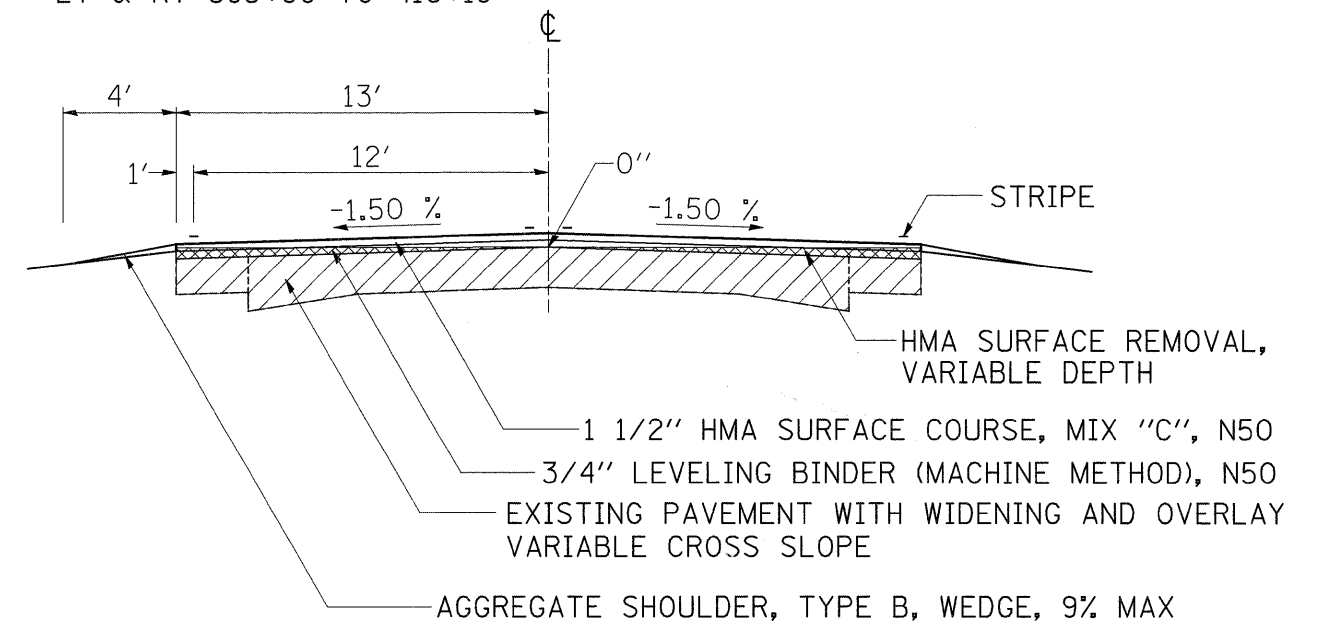
STA. 237+22 TO 238+80
STA. 253+50 TO 258+32
STA. 259+22 TO 265+98



STATIONS FOR VARIABLE DEPTH MILLING

LT 312+66 TO 313+60
LT & RT 313+60 TO 328+00
LT & RT 336+30 TO 349+50
LT 349+50 TO 363+20
LT & RT 363+20 TO 373+30
RT 373+30 TO 375+50
LT 393+10 TO 395+90
LT & RT 395+90 TO 416+18

LT 417+68 TO 424+60
LT & RT 424+60 TO 449+00
LT 449+00 TO 473+70
LT 496+94 TO 501+30
LT 504+70 TO 508+00
LT 516+30 TO 525+25
LT 561+12 TO 576+30



| | | | | | | | | | | | |
|--|-----------------------------|------------|-----------|---|--------------|---|---------------------|------------|--------------|-----------|--|
| FILE NAME = | USER NAME = dosdd | DESIGNED - | REVISED - | STATE OF ILLINOIS DEPARTMENT OF TRANSPORTATION | IL 73 | F.A.P. RTE. | SECTION | COUNTY | TOTAL SHEETS | SHEET NO. | |
| os:\pwwork\pwwid\DOT\DOSSDD\dms33571\d82967typ.dgn | PLOT SCALE = 50.0000' / IN. | DRAWN - | REVISED - | | | 654 | (107, 108, 109)RS-4 | STEPHENSON | 89 | 10 | |
| PLOT DATE = Wed Sep 24 09:01:36 2008 | DATE - | CHECKED - | REVISED - | | | CONTRACT NO. 64C91 | | | | | |
| | | | | | | FED. ROAD DIST. NO. 2 [ILLINOIS] FED. AID PROJECT | | | | | |
| | | | | | SCALE: | SHEET NO. | OF | SHEETS | STA. | TO STA. | |