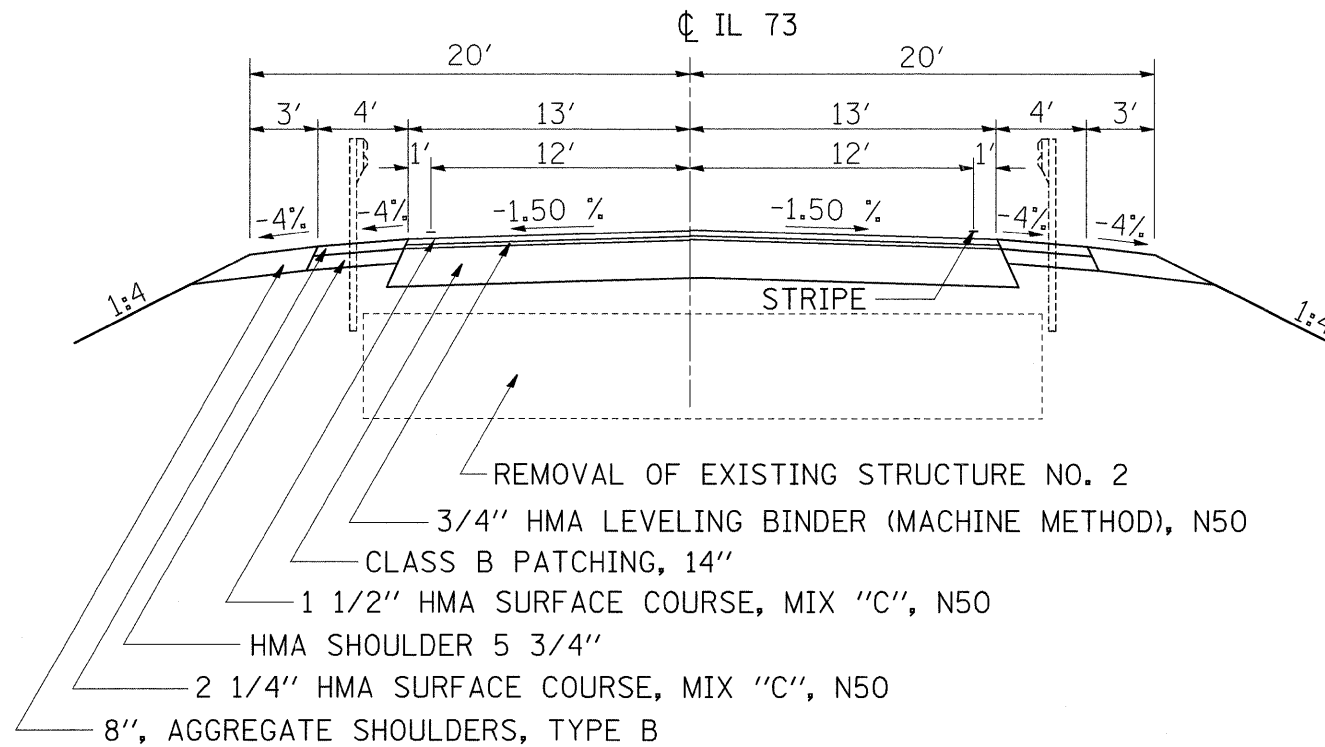


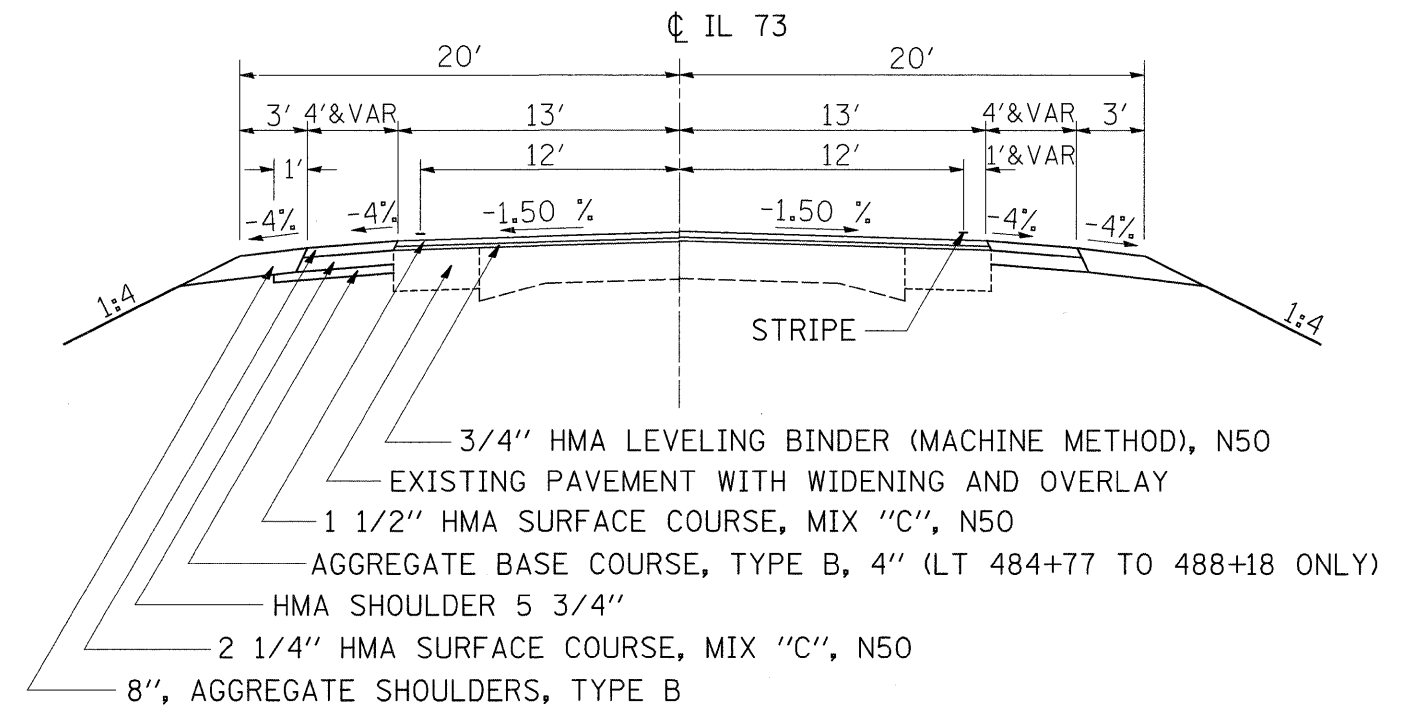
# TYPICAL SECTIONS

## CULVERT TYPICAL

STA. 481+04



STA. 479+64 TO 489+36



FILE NAME =	USER NAME = doasdd	DESIGNED -	REVISED -	<b>STATE OF ILLINOIS DEPARTMENT OF TRANSPORTATION</b>	<b>IL 73</b>				F.A.P. RTE.	SECTION	COUNTY	TOTAL SHEETS	SHEET NO.	
ct\pwwork\PWIDOT\DOSSDD\dms33571\d82967typ.dgn		DRAWN -	REVISED -		SCALE:	SHEET NO.	OF	SHEETS	STA.	TO STA.	654	(107, 108, 109)RS-4	STEPHENSON	89 12
PLOT SCALE = 50.0000' / IN.		CHECKED -	REVISED -								CONTRACT NO. 64C91			
PLOT DATE = Wed Sep 24 09:08:59 2008		DATE -	REVISED -		FED. ROAD DIST. NO. 2 [ILLINOIS] FED. AID PROJECT									