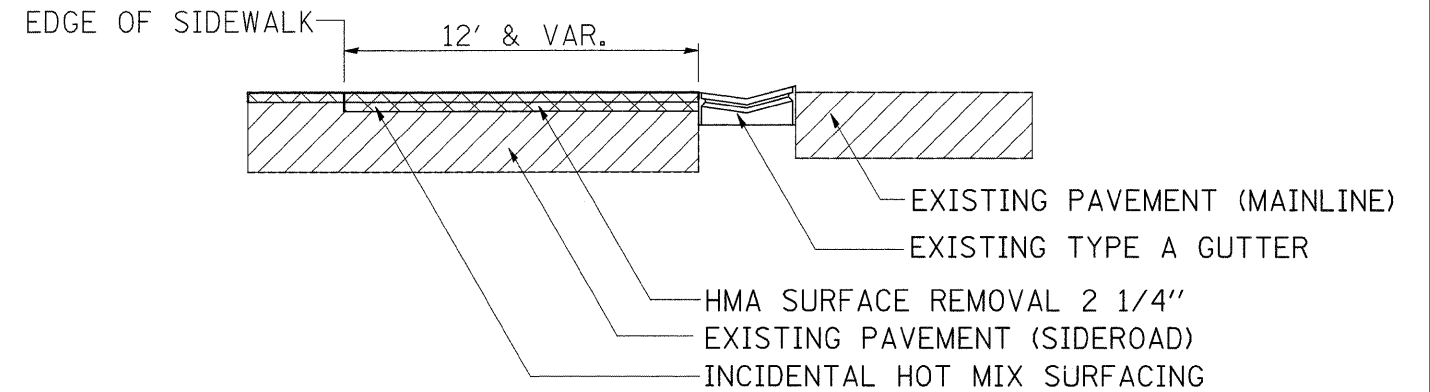


TYPICAL SECTIONS

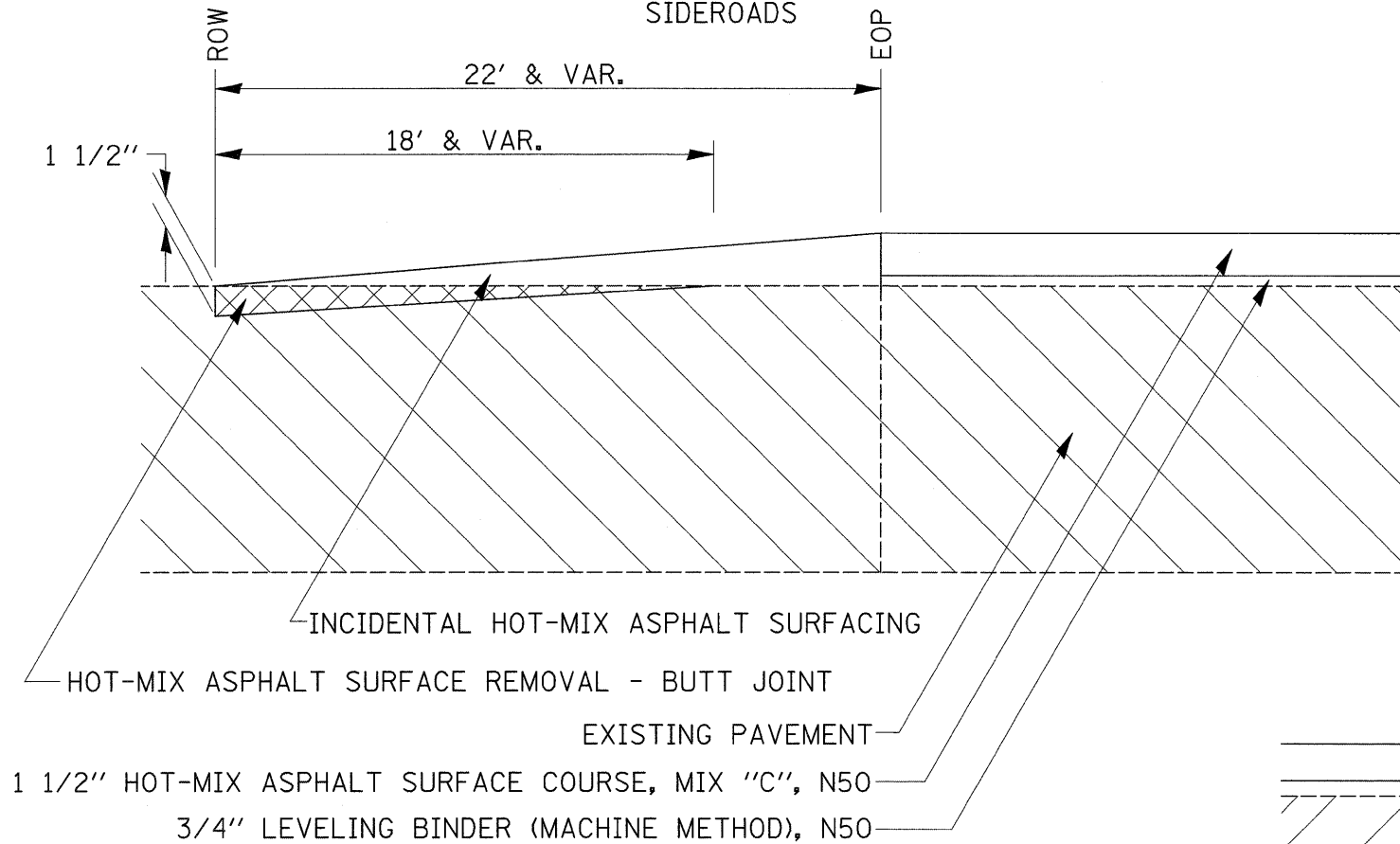
SIDERROADS

GRANT STREET GOLDMINE ROAD
 GREEN STREET MILL STREET
 GARFIELD STREET JOHN STREET



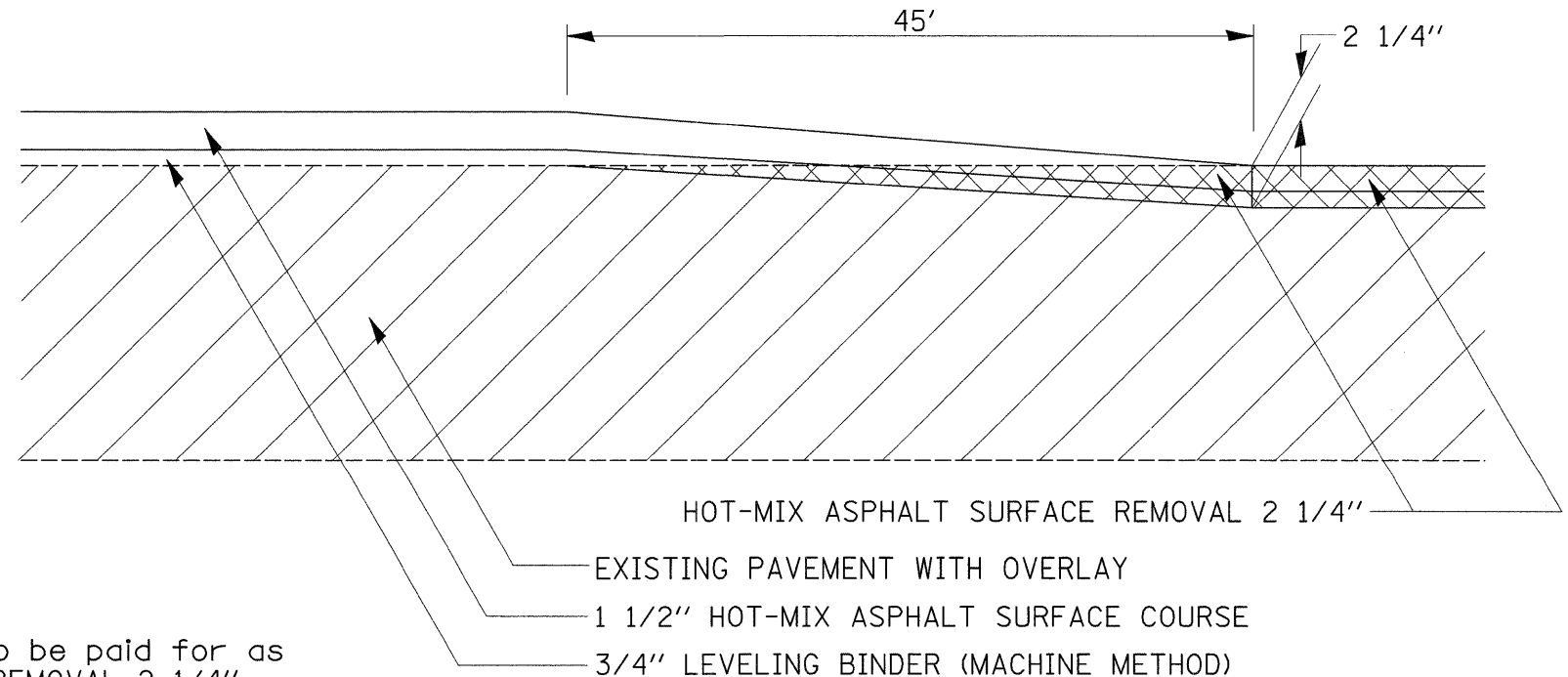
TYPICAL SECTIONS

SIDERROADS



TYPICAL SECTIONS

STA 12+15 TO 12+60	STA 12+15 TO 12+60
STA 17+96 TO 18+41	STA 17+96 TO 18+41
STA 56+90 TO 57+35	STA 56+90 TO 57+35
STA 62+11 TO 62+56	STA 62+11 TO 62+56
STA 73+00 TO 73+45	STA 73+00 TO 73+45
STA 89+5 TO 90+30	STA 89+5 TO 90+30



NOTE:
 Variable depth grinding to be paid for as
 HOT-MIX ASPHALT SURFACE REMOVAL 2 1/4"

* HOT-MIX ASPHALT 112 LBS / SY / INCH

FILE NAME =	USER NAME = d0sdd	DESIGNED -	REVISED -	STATE OF ILLINOIS DEPARTMENT OF TRANSPORTATION	IL 73	F.A.P. RTE.	SECTION	COUNTY	TOTAL SHEETS	SHEET NO.	
ct:\pw\work\PWIDOT\DOSSDD\dms33571\d02967.tyo.dgn		DRAWN -	REVISED -			654	(107, 108, 109)RS-4	STEPHENSON	89	15	
PLOT SCALE = 50.0000' / IN.		CHECKED -	REVISED -			CONTRACT NO. 64C91		FED. ROAD DIST. NO. 2 [ILLINOIS] FED. AID PROJECT			
PLOT DATE = Wed Sep 24 09:11:07 2008		DATE -	REVISED -			SCALE:	SHEET NO. OF SHEETS	STA. TO STA.			