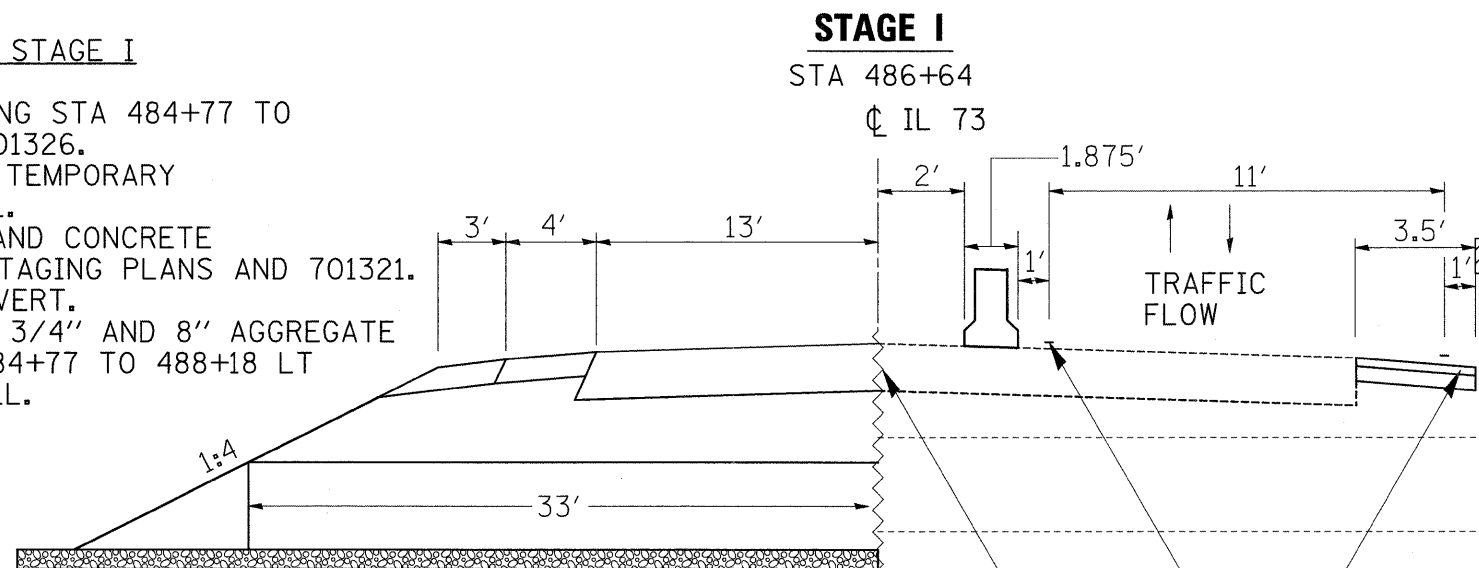


TYPICAL SECTIONS

STAGING USING TRAFFIC CONTROL AND PROTECTION, STANDARD 701321

SEQUENCE OF CONSTRUCTION - STAGE I

1. CONSTRUCT TEMPORARY WIDENING STA 484+77 TO 488+18 RT UNDER STANDARD 701326.
2. PERFORM STAGE I EARTHWORK, TEMPORARY SEEDING AND EROSION CONTROL.
3. INSTALL TEMPORARY SIGNALS AND CONCRETE BARRIER WALL AS SHOWN ON STAGING PLANS AND 701321.
4. CONSTRUCT LEFT SIDE OF CULVERT.
5. CONSTRUCT HMA SHOULDERS, 5 3/4" AND 8" AGGREGATE SHOULDERS TYPE B AT STA. 484+77 TO 488+18 LT BEHIND CONCRETE BARRIER WALL.



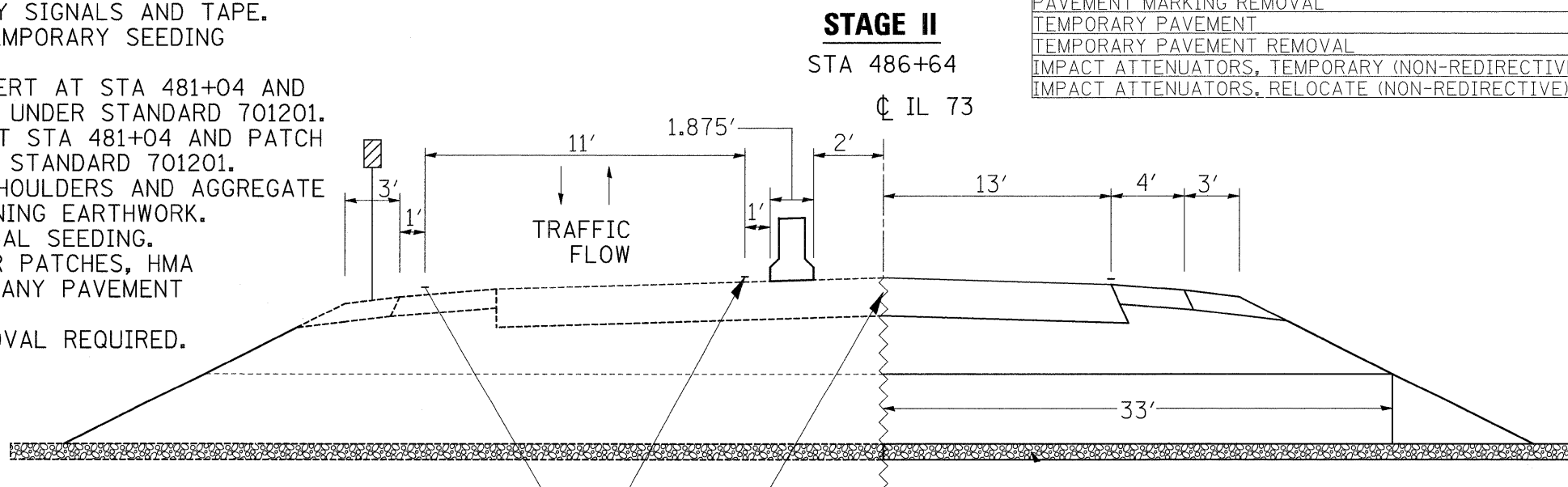
TEMPORARY SHEET PILING
 PAVEMENT MARKING TAPE, TYPE III, 4"
 TEMPORARY PAVEMENT CONSISTING OF:
 8" SUBBASE GRANULAR MATERIAL, TYPE B
 3" HOT MIX ASPHALT SURFACE COURSE, SPECIAL.

BILL OF MATERIALS STAGING USING TRAFFIC CONTROL AND PROTECTION, STANDARD 701321

ITEM	UNIT	QUANTITY
TEMPORARY SHEET PILING	SQ FT	856
TRAFFIC CONTROL AND PROTECTION, STANDARD 701321	EACH	1
TRAFFIC CONTROL SURVEILLANCE	CALL	5
TEMPORARY BRIDGE TRAFFIC SIGNALS	EACH	1
TEMPORARY RUMBLE STRIPS	EACH	6
PAVEMENT MARKING TAPE, TYPE III 4"	FOOT	1820
PAVEMENT MARKING TAPE, TYPE III 24"	FOOT	48
WORK ZONE PAVEMENT MARKING REMOVAL	SQ FT	654
TEMPORARY CONCRETE BARRIER	FOOT	325
RELOCATE TEMPORARY CONCRETE BARRIER	FOOT	325
PAVEMENT MARKING REMOVAL	SQ FT	221
TEMPORARY PAVEMENT	SQ YD	133
TEMPORARY PAVEMENT REMOVAL	SQ YD	133
IMPACT ATTENUATORS, TEMPORARY (NON-REDIRECTIVE), TEST LEVEL	EACH	2
IMPACT ATTENUATORS, RELOCATE (NON-REDIRECTIVE), TEST LEVEL	EACH	2

SEQUENCE OF CONSTRUCTION - STAGE II

1. RELOCATE CONCRETE BARRIER WALL AND SWITCH TRAFFIC.
2. CONSTRUCT RIGHT SIDE OF CULVERT.
3. REMOVE BARRIER WALL, TEMPORARY SIGNALS AND TAPE.
4. PERFORM STAGE II EARTHWORK, TEMPORARY SEEDING AND EROSION CONTROL.
5. REMOVE RIGHT SIDE OF BOX CULVERT AT STA 481+04 AND PATCH THE ROAD ALL IN ONE DAY UNDER STANDARD 701201.
6. REMOVE LEFT SIDE OF CULVERT AT STA 481+04 AND PATCH THE ROAD ALL IN ONE DAY UNDER STANDARD 701201.
7. CONSTRUCT ALL REMAINING HMA SHOULDERS AND AGGREGATE SHOULDERS. PERFORM ANY REMAINING EARTHWORK.
8. INSTALL RIPRAP AND PERFORM FINAL SEEDING.
9. COMPLETE ALL HMA REMOVAL OVER PATCHES, HMA REPLACEMENT OVER PATCHES AND ANY PAVEMENT PATCHING REQUIRED.
10. COMPLETE ALL HMA SURFACE REMOVAL REQUIRED.
11. OVERLAY THE ENTIRE PROJECT.



TEMPORARY SHEET PILING
 PAVEMENT MARKING TAPE, TYPE III, 4"