

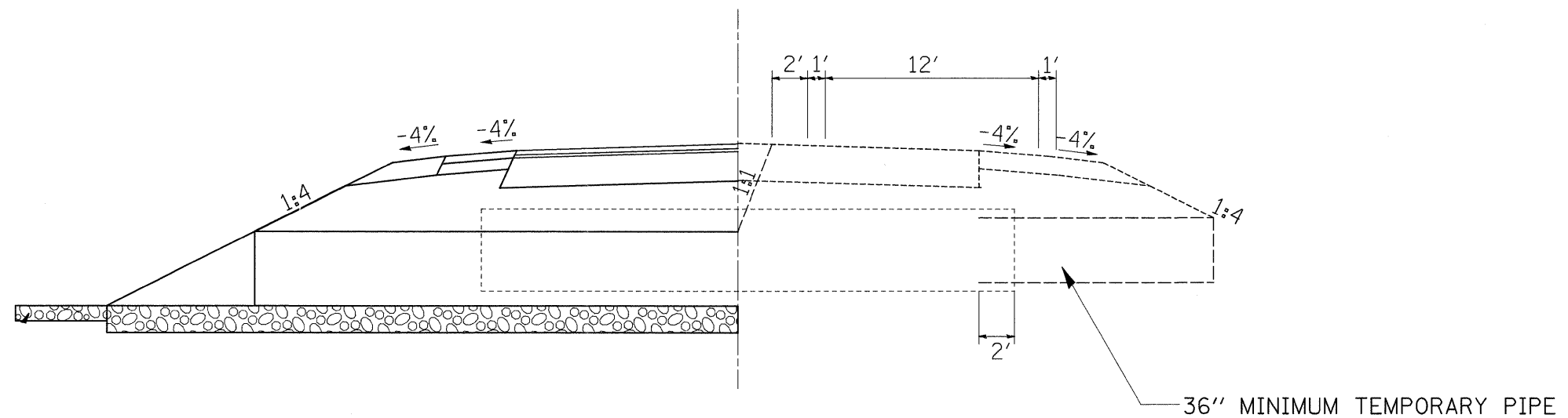
TYPICAL SECTIONS

STAGING USING TRAFFIC CONTROL AND PROTECTION, STANDARD 701201

STAGE I

STA 486+64

CL IL 73



BILL OF MATERIALS

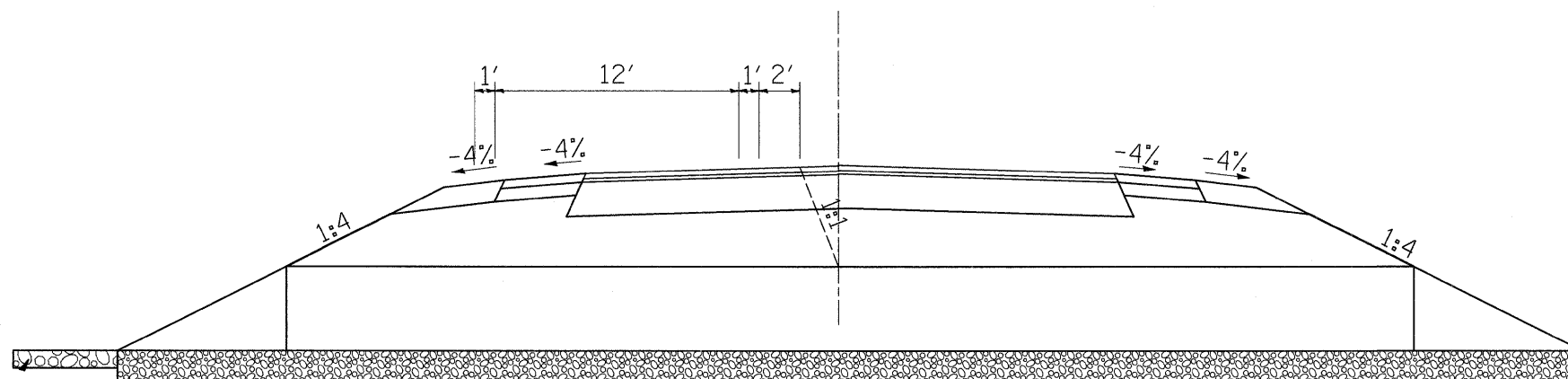
STAGING USING TRAFFIC CONTROL AND PROTECTION, STANDARD 701201

ITEM	UNIT	QUANTITY
PAVEMENT PATCHING, SPECIAL	SQ YD	124
TEMPORARY PIPE (36" MINIMUM)	FOOT	18
AGGREGATE BASE COURSE, TYPE B	TON	16

STAGE II

STA 486+64

CL IL 73



FILE NAME =	USER NAME = dosdd	DESIGNED -	REVISED -	STATE OF ILLINOIS DEPARTMENT OF TRANSPORTATION	IL 73			F.A.P. RTE.	SECTION	COUNTY	TOTAL SHEETS	SHEET NO.			
ct:\pw\work\PW100T\DOSSDD\dms33571\d02977.tpd.dgn		DRAWN -	REVISED -		SCALE:	SHEET NO.	OF	SHEETS	STA.	TO STA.	654	(107,108,108)RS-4	STEPHENSON	89	18
		CHECKED -	REVISED -								CONTRACT NO. 64C91				
		DATE -	REVISED -								FED. ROAD DIST. NO. ILLINOIS FED. AID PROJECT				