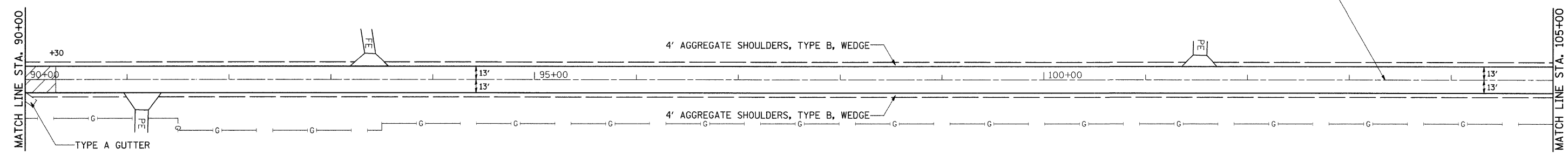
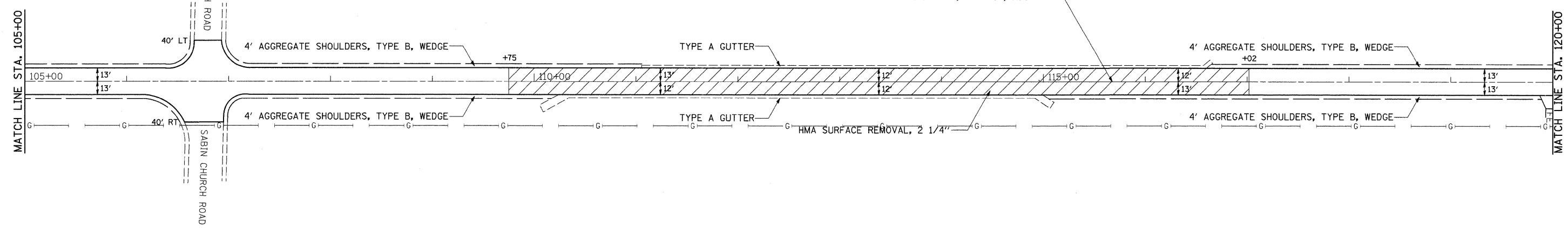




3/4" LEVELING BINDER (MACHINE METHOD), N50
 1 1/2" HMA SURFACE COURSE, MIX "C", N50



3/4" LEVELING BINDER (MACHINE METHOD), N50
 1 1/2" HMA SURFACE COURSE, MIX "C", N50



FILE NAME =	USER NAME = dossed	DESIGNED -	REVISED -	STATE OF ILLINOIS DEPARTMENT OF TRANSPORTATION	IL 73				F.A.P. RTE.	SECTION	COUNTY	TOTAL SHEETS	SHEET NO.		
ct\pwork\p\WIDOT\DOSSDD\dms33571\d82967.pln.dgn	PLOT SCALE = 50.0000' / IN.	DRAWN -	REVISED -		SCALE:	SHEET NO.	OF	SHEETS	STA.	TO STA.	654	(107, 108, 109)RS-4	STEPHENSON	89	44
PLOT DATE = Wed Sep 24 08:36:13 2008	DATE -	CHECKED -	REVISED -								CONTRACT NO. 64C91				
									FED. ROAD DIST. NO. 2 ILLINOIS FED. AID PROJECT						