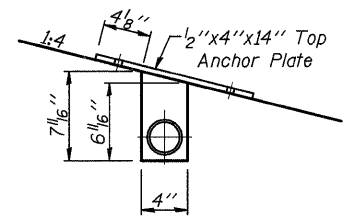
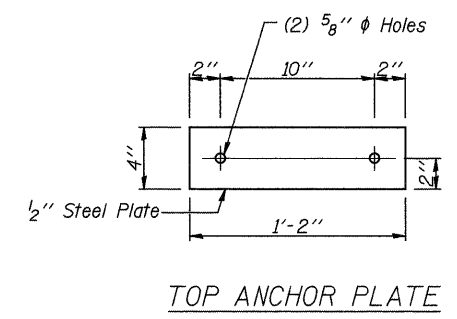
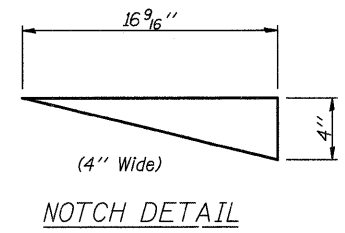
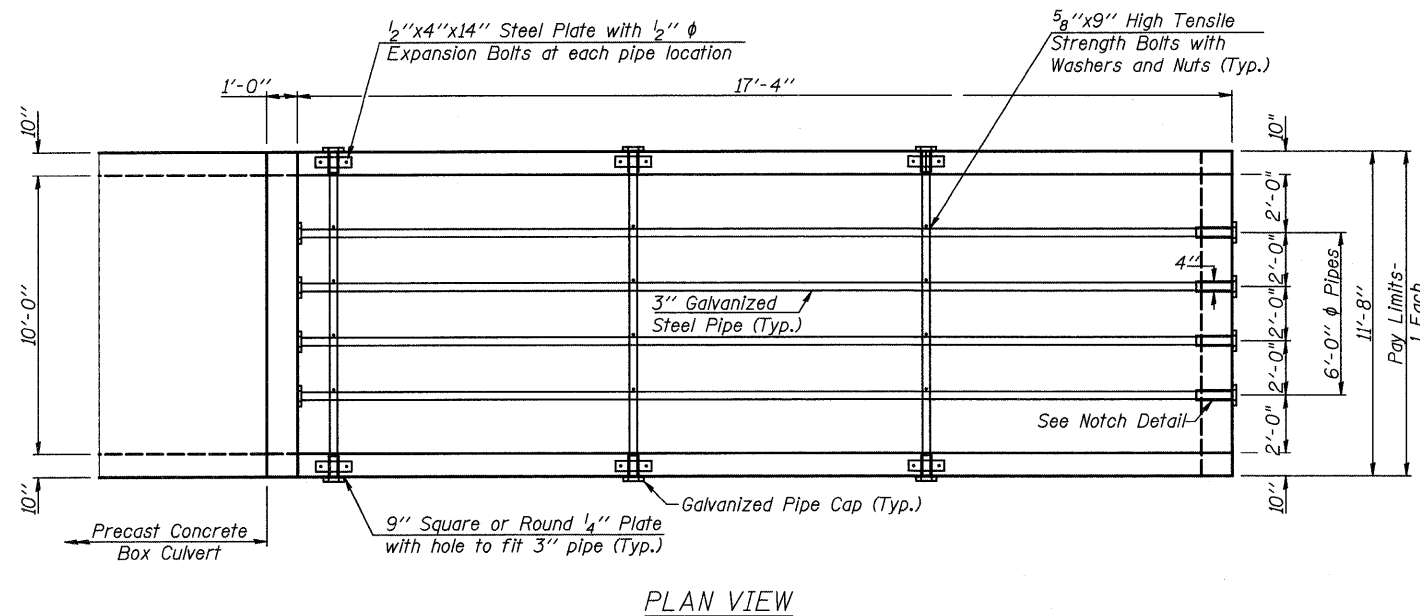


BOX CULVERT END SECTION DETAIL



BILL OF MATERIAL

DESCRIPTION	UNIT	QTY.
Box Culvert End Section	Each	2
Name Plate	Each	1

GENERAL NOTES:

Slope flow line of the end section at the same rate as the flow line of the box.

Bolts, Nuts, and Washers shall be in accordance with Article 1006.08 of the standard specification and shall be galvanized.

The contract unit price "Each" for Box Culvert End Section shall include the Galvanized Pipe, Bolts, Nuts, Washers and Steel Plates, and all applicable work according to Section 540 of the Standard Specifications.

Steel Pipes shall conform to A.S.T.M. A-53 (Type E or S) Grade B, Schedule 40, and shall be galvanized conforming to A.S.T.M. A-120. Contractor shall field verify pipe length.

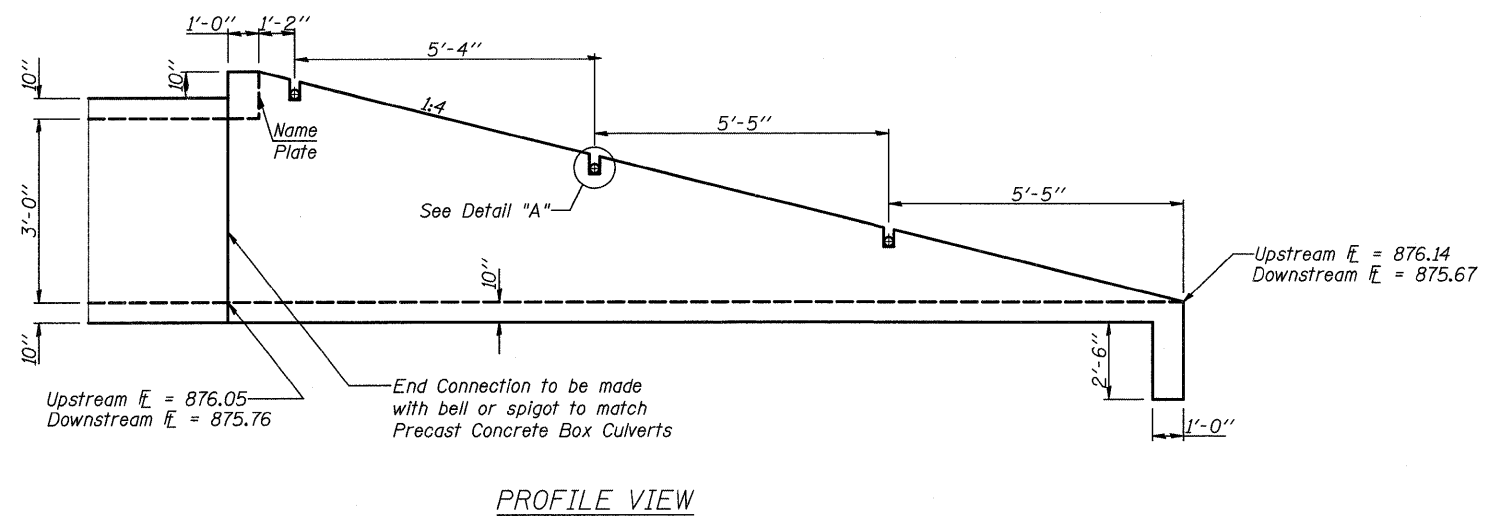
Steel Plates shall conform to AASHTO M-183 and shall be galvanized conforming to AASHTO M-111.

See Plan and Profile Sheet 59 & 65 of 89 for more information.

The Contractor shall submit four copies of the required shop drawings for review and approval to the Bureau of Bridges and Structures, 2300 South Dirksen Parkway, Springfield, IL. 62764. After approval of initial submittal, the contractor shall submit one set of shop drawings to the Engineer of Materials, 126 East Ash Street, Springfield, IL. 62706, and eight (8) sets of shop drawings, to be distributed to:
 District 2 District Engineer (1)
 Fabricator (1)
 Contractor (1)
 Resident Engineer (2)
 District Bureau of Materials (2)

STATION 486+64
 BUILT 2009 BY
 STATE OF ILLINOIS
 F.A.P. RT. 654 SEC 107, 108, 109) RS-4
 FA PROJECT
 LOADING HS20
 STR. NO. 089-1107

NAME PLATE
 See Std. 515001
 Located on the SE Headwall.



FILE NAME =	USER NAME = dmsdd	DESIGNED -	REVISED - 10-24-07	STATE OF ILLINOIS DEPARTMENT OF TRANSPORTATION	IL 73	F.A.P. RTE.	SECTION	COUNTY	TOTAL SHEETS	SHEET NO.	
cd:\pw_work\WP1007\DOSSDD\dms33571\d029	7culv.dgn	DRAWN -	REVISED -			654	(107, 108, 109)RS-4	STEPHENSON	89	67	
	PLOT SCALE = 50.0000' / IN.	CHECKED -	REVISED -			CONTRACT NO. 64C91					
	PLOT DATE = Wed Sep 24 08:51:34 2008	DATE -	REVISED -			FED. ROAD DIST. NO. 2 [ILLINOIS] FED. AID PROJECT					
				SCALE:	SHEET NO.	OF	SHEETS	STA.	TO STA.		