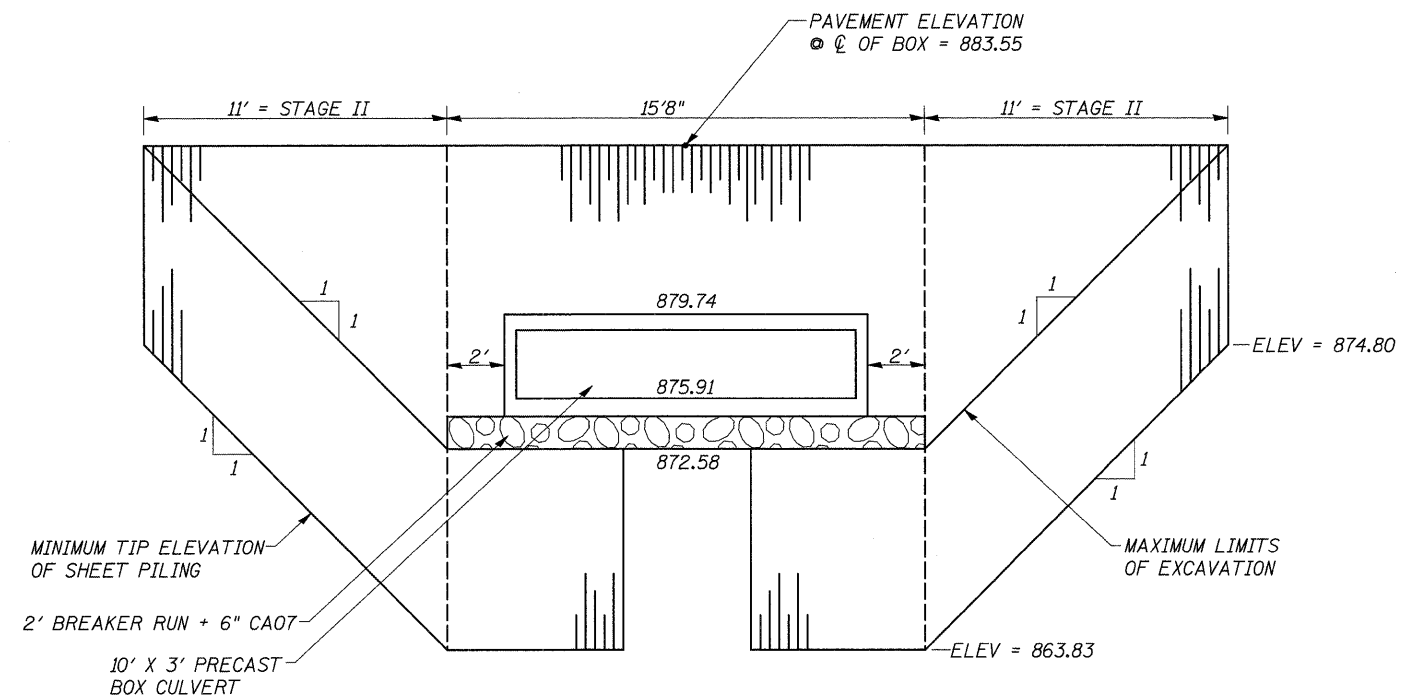
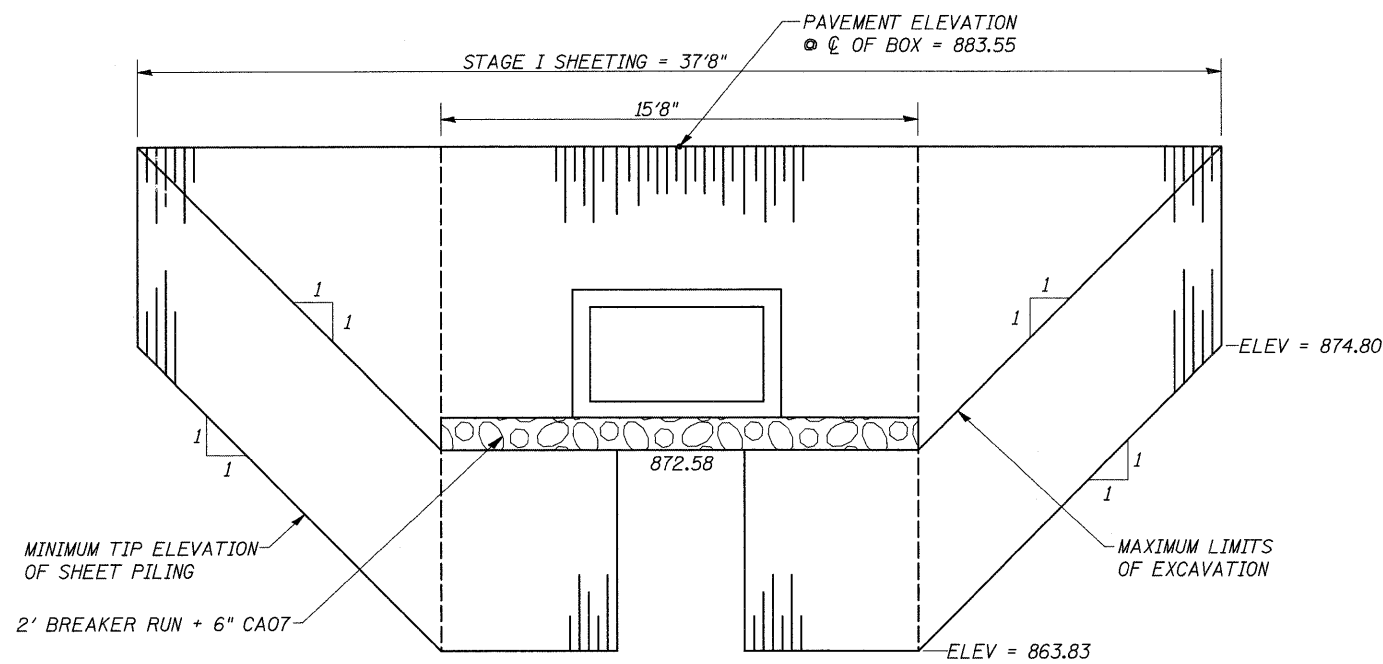


BOX CULVERT TEMPORARY SHEET PILING



SEQUENCE OF CONSTRUCTION

1. INSTALL SHEET PILING AS SHOWN.
2. CONSTRUCT STAGE I.
3. REMOVE INSIDE SHEETING TO CONSTRUCT STAGE II.
4. BUILD STAGE II.
5. REMOVE ALL SHEETING AND PATCH THE ROAD. *

*THE CONTRACTOR IS ALLOWED TO LEAVE SHEETING IN PLACE IF THEY CHOOSE TO DO SO. (SEE SPECIAL PROVISIONS)

NOTES:

If the Contractor chooses to alter the temporary cantilevered sheet piling design requirements shown on the plans, a design submittal including plan details and calculations will be required for review and acceptance by the Engineer.

TEMPORARY SHEET PILING

S = MINIMUM REQUIRED SECTION MODULES
S = 9.61m / ft
MINIMUM EMBEDMENT LENGTH = 8'9"

Plan dimensions and details relative to existing structures have been taken from field survey. It shall be the Contractor's responsibility to verify such dimensions and details in the field and make necessary approved adjustments prior to construction or ordering of materials. Such variations shall not be cause for additional compensation for a change in the scope of work, however, the Contractor will be paid for the quantity actually furnished at the unit price bid for the work.

FILE NAME =	USER NAME = dssedd	DESIGNED -	REVISED - 10-24-07	STATE OF ILLINOIS DEPARTMENT OF TRANSPORTATION	IL 73	F.A.P. RTE.	SECTION	COUNTY	TOTAL SHEETS	SHEET NO.	
ct:\pw_work\VPWIDOT\DOSSDD\dms33571\d02967culv.dgn	PLOT SCALE = 50,0000' / IN.	DRAWN -	REVISED -			654	(107, 108, 109)RS-4	STEPHENSON	89	68	
PLOT DATE = Wed Sep 24 08:52:00 2008	DATE -	CHECKED -	REVISED -			CONTRACT NO. 64C91					
						FED. ROAD DIST. NO. 2 ILLINOIS FED. AID PROJECT					
				SCALE:		SHEET NO. OF SHEETS		STA. TO STA.			