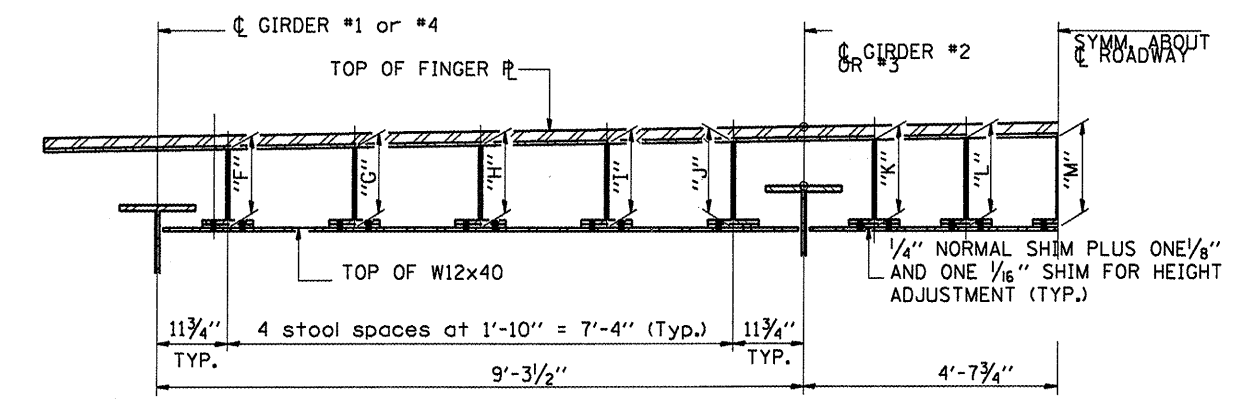
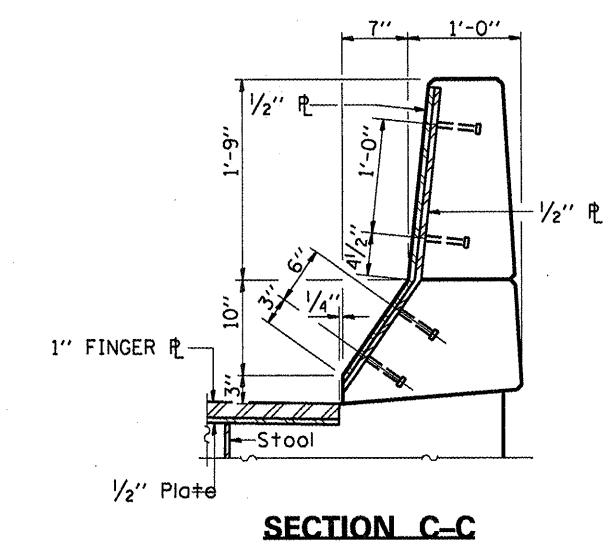
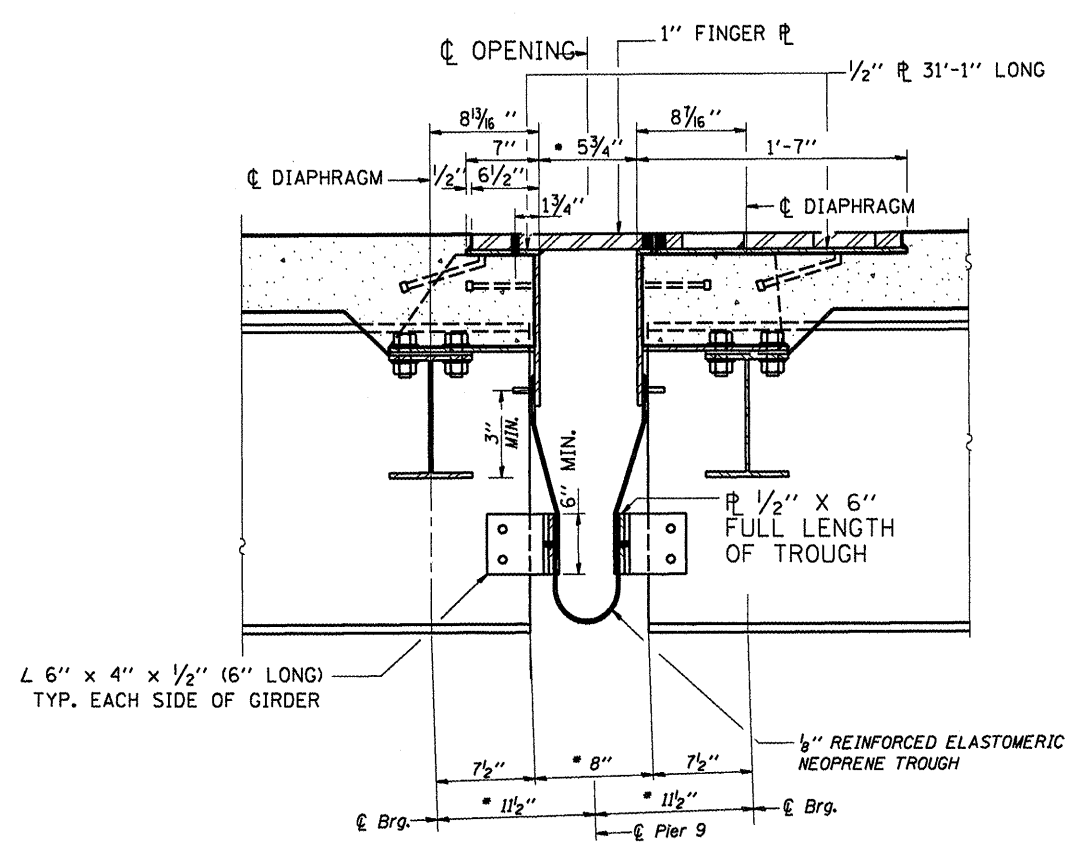


HALF PLAN AT PIER 9



SECTION B-B



SECTION A-A

		STOOL HEIGHTS							
		"F"	"G"	"H"	"I"	"J"	"K"	"L"	"M"
PIER 9, SPAN 9	11 5/8"	12 3/8"	12 5/8"	13"	13 3/8"	13 5/8"	14"	14 3/8"	14 5/8"
PIER 9, SPAN 10	12 5/8"	12 7/8"	12 9/8"	13 1/4"	13 3/8"	13 5/8"	14 1/4"	14 3/8"	14 5/8"

EXPANSION JOINT AT PIER 9
FAP RTE 46 SEC (1-BD)BP
LASALLE COUNTY
STA 204+67.75
SN 050-0079