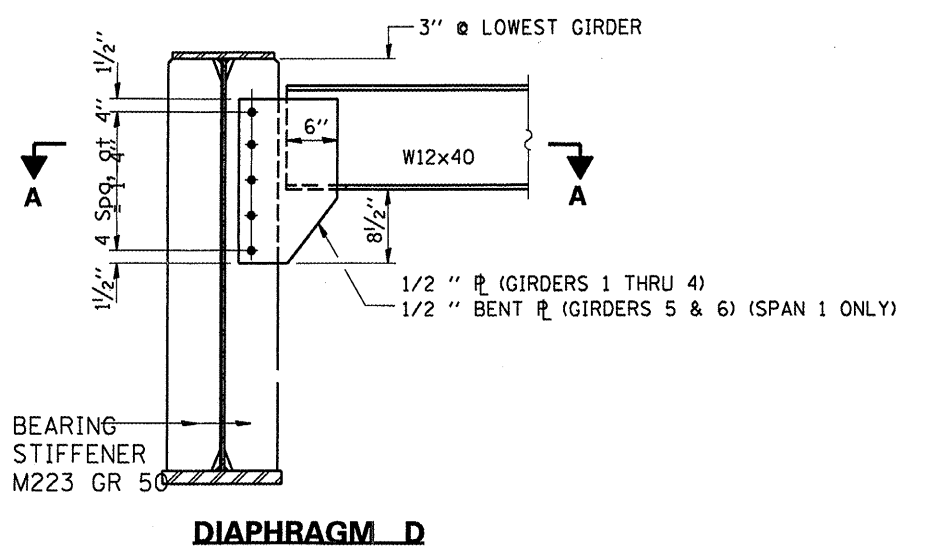
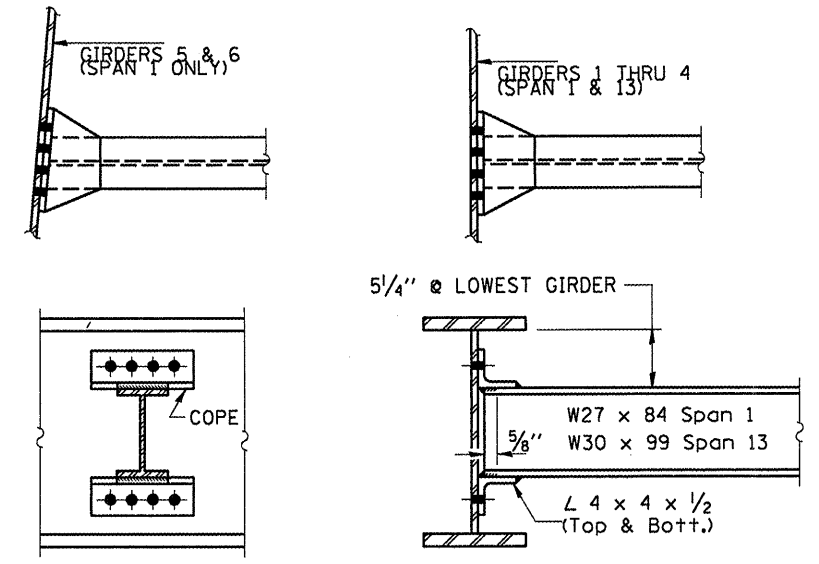


FRAMING PLAN

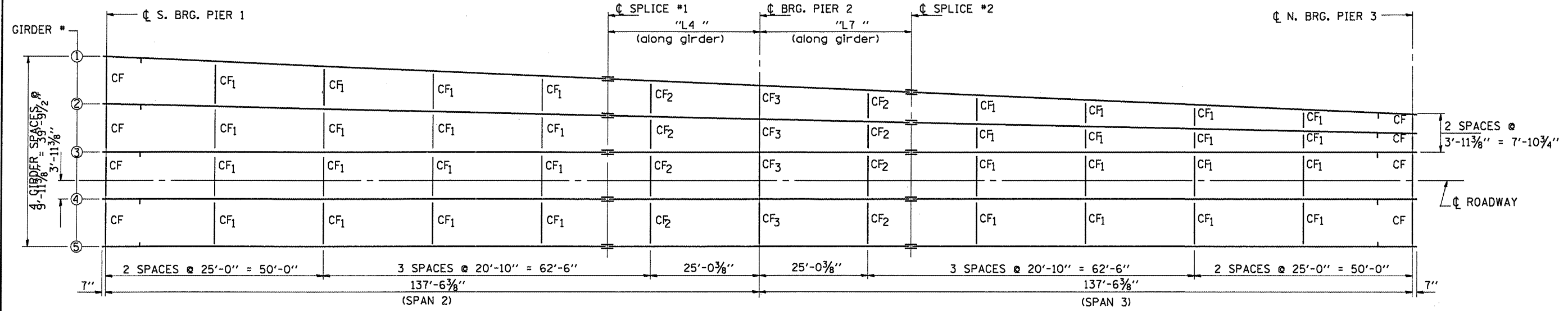


DIAPHRAGM D

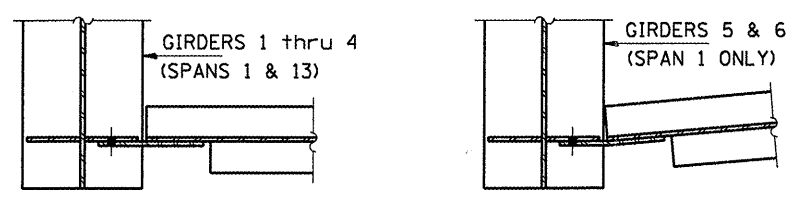
(16 Required)



DIAPHRAGM D₁ AND D₃



FRAMING PLAN



SECTION A-A

STRUCTURAL STEEL
SPANS 1, 2 AND 3
FAP RTE 46 SEC (1-BD)BP
LASALLE COUNTY
STA 204+67.75
SN 050-0079

FILE NAME =	USER NAME = woodshank-r	DESIGNED = RON WOODSHANK	REVISED =	STATE OF ILLINOIS DEPARTMENT OF TRANSPORTATION	FOR INFORMATION ONLY	F.A.P. RTE. = 46	SECTION = (1-BD)BP	COUNTY = LASALLE	TOTAL SHEETS = 38	SHEET NO. = 17	
CONTRACT NO. =	PLOT SCALE = 1/8" = 1'-0"	CHECKED =	REVISED =			SCALE: _____	SHEET NO. 9 OF 30 SHEETS	STA. 193+08.08 TO STA. 216+13.82	FED. ROAD DIST. NO. = ILLINOIS FED. AID PROJECT	CONTRACT NO. 66854	
PLOT DATE = Oct 15, 2009 - 07:06:19 AM	DATE =	REVISOR =	REVISOR =								