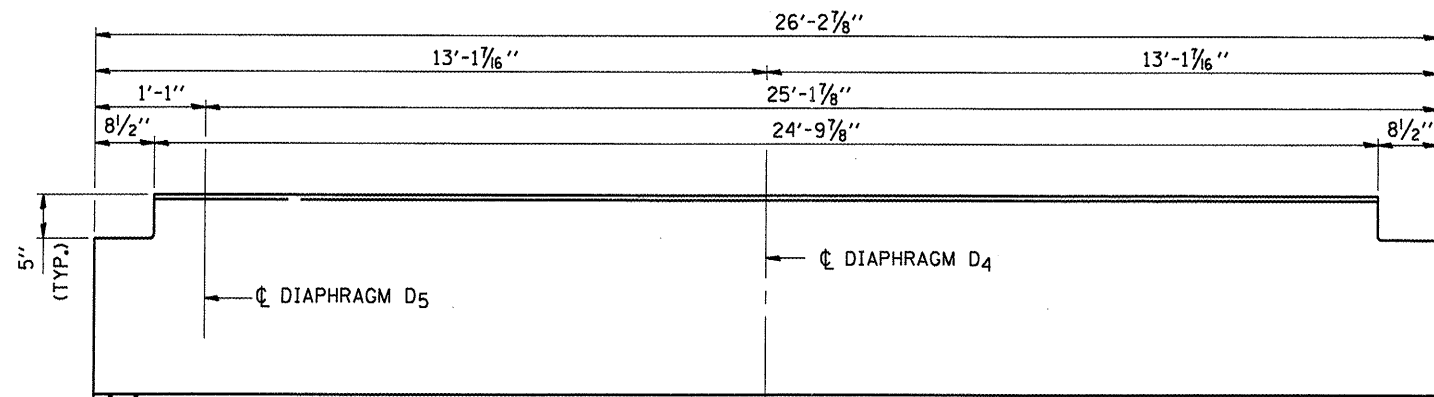
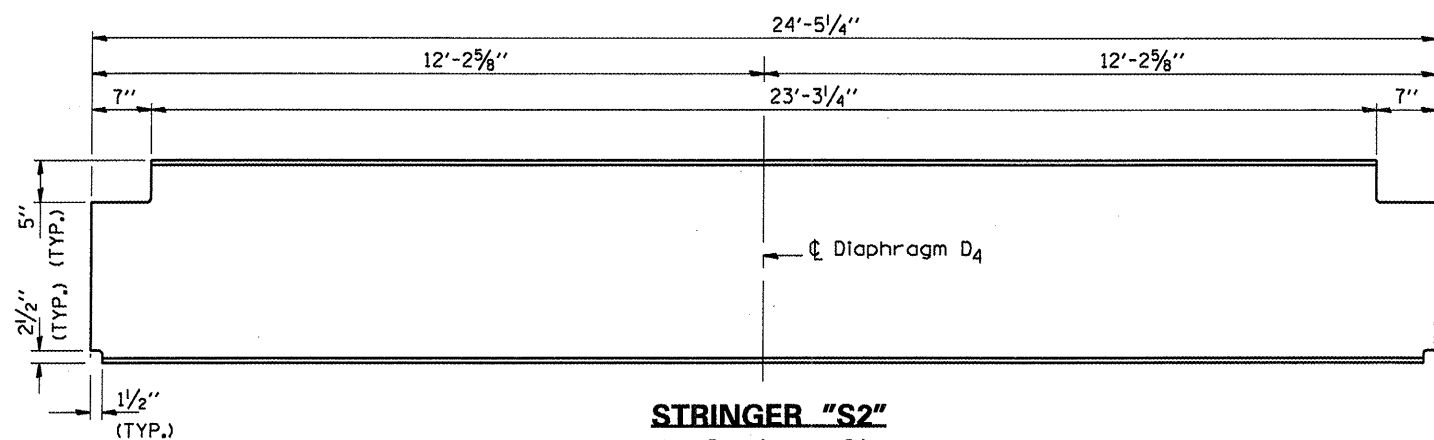


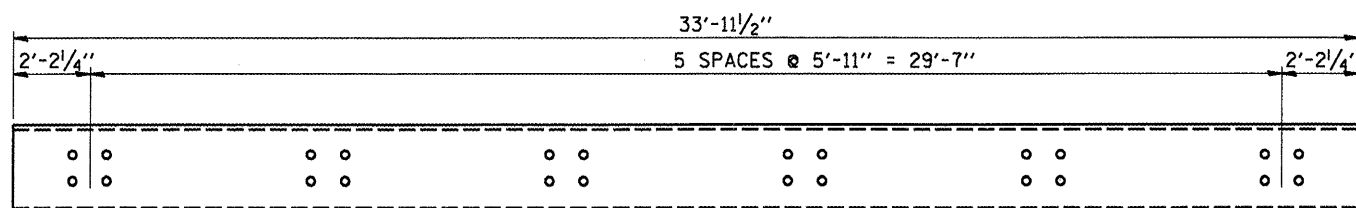
STRINGER "S"
(No. Required = 144)



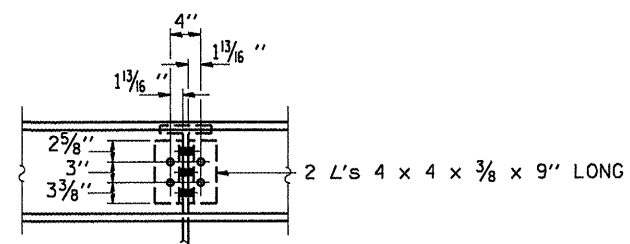
STRINGER "S1"
(No. Required = 60)



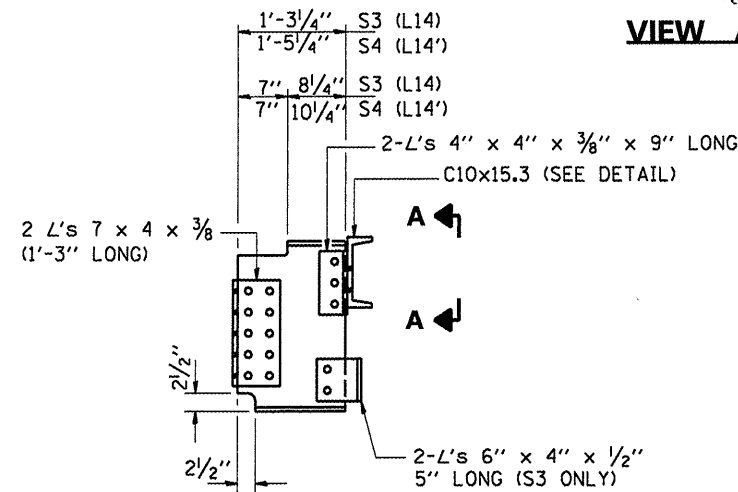
STRINGER "S2"
(No. Required = 24)



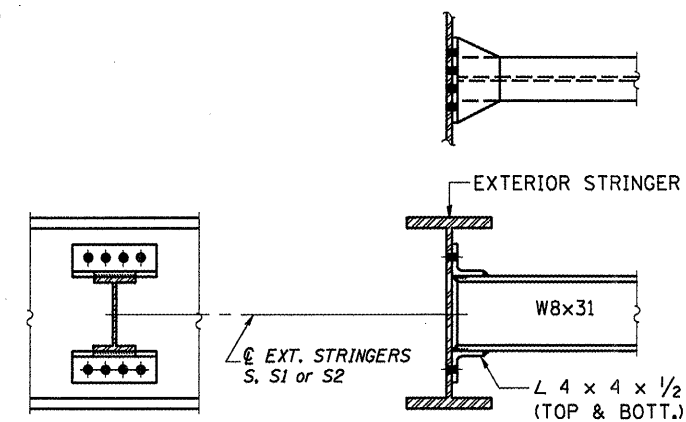
CHANNEL C10x15.3
(No. Required = 4)



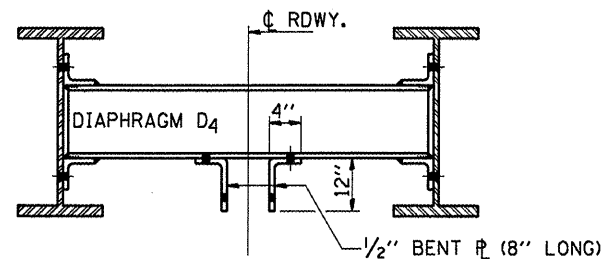
VIEW A-A



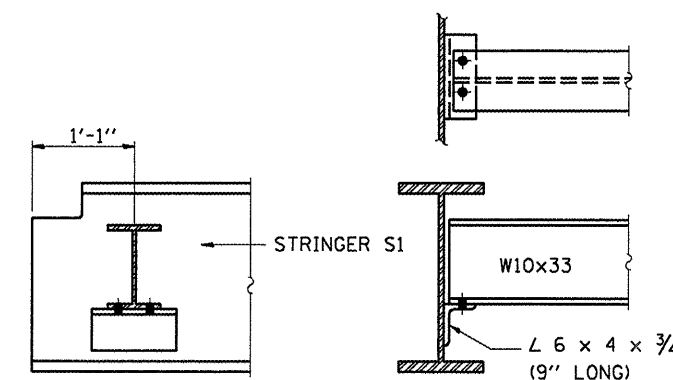
STRINGERS "S3" & "S4"



DIAPHRAGM D4



LATERAL BRACING CONNECTION



DIAPHRAGM D5

**STRINGERS
AND DIAPHRAGM DETAILS**
FAP RTE 46 SEC (1-BD)BP
LASALLE COUNTY
STA 204+67.75
SN 050-0079

FILE NAME =	USER NAME = woodshankr1	DESIGNED = RON WOODSHANK	REVISED =
c:\pwwork\FWIDOT\WOODSHANKR\dwg\dms29370	c:\368854-sht-details.dgn	DRAWN = RON WOODSHANK	REVISED =
	PLOT SCALE = 1/8" = 1'-0"	CHECKED =	REVISED =
	PLOT DATE = Oct 15, 2008 - 07:07:14 AM	DATE =	REVISED =

STATE OF ILLINOIS
DEPARTMENT OF TRANSPORTATION

FOR INFORMATION ONLY

SCALE: SHEET NO. 19 OF 30 SHEETS STA. 193+08.08 TO STA. 216+13.82

F.A.P. RTE. 46	SECTION (1-BD)BP	COUNTY LASALLE	TOTAL SHEETS 38	SHEET NO. 27
FED. ROAD DIST. NO. ILLINOIS FED. AID PROJECT			CONTRACT NO. 66854	