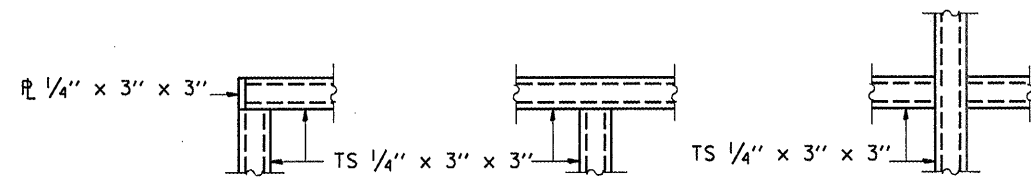


ELEVATION
INSIDE FACE

ELEVATION
(AT EXPANSION JOINT)

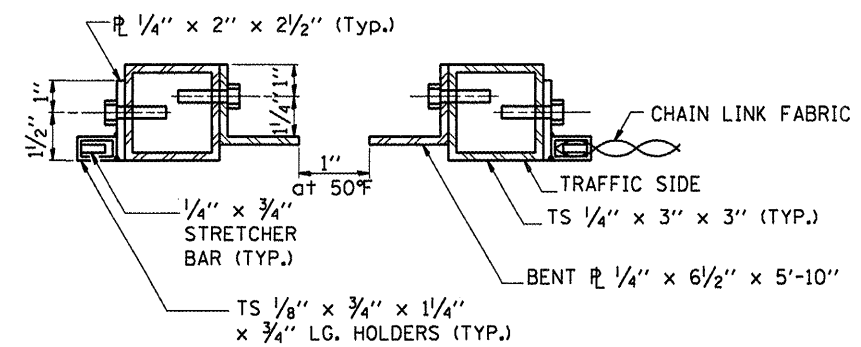
ELEVATION
(AT LIGHT POLE)



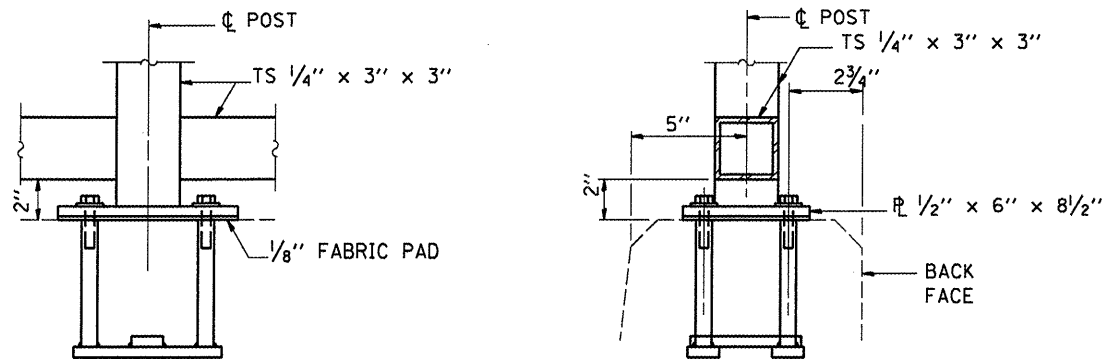
DETAIL A

DETAIL B

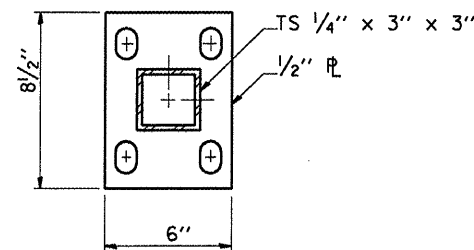
DETAIL C



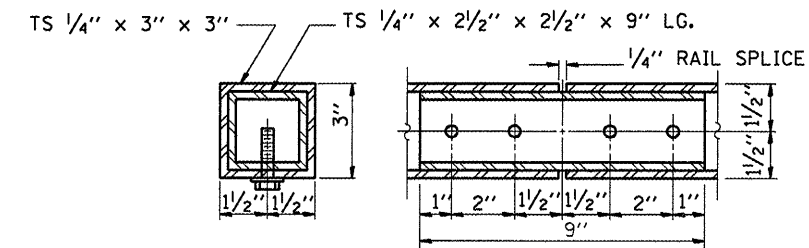
SECTION A-A



ANCHOR BOLT DETAILS



BASE PLATE



RAIL SPLICE

PEDESTRIAN RAILING
FAP RTE 46 SEC (1-BD)BP
LASALLE COUNTY
STA 204+67.75
SN 050-0079

FILE NAME =	USER NAME = woodshankr1	DESIGNED = RON WOODSHANK	REVISED =
c:\pwork\pwidot\WOODSHANKRL\dms29378	d366854-sh1-detailed.dgn	DRAWN = RON WOODSHANK	REVISED =
	PLOT SCALE = 100.0000 / IN.	CHECKED =	REVISED =
	PLOT DATE = Oct 15, 2008 - 07:10:30 AM	DATE =	REVISED =

STATE OF ILLINOIS
DEPARTMENT OF TRANSPORTATION

FOR INFORMATION ONLY

SCALE: _____ SHEET NO. 22 OF 30 SHEETS STA. 193+08.08 TO STA. 216+13.82

F.A.P. RTE.	SECTION	COUNTY	TOTAL SHEETS	SHEET NO.
46	(1-BD)BP	LASALLE	38	30
CONTRACT NO. 66854				
FED. ROAD DIST. NO. ILLINOIS FED. AID PROJECT				