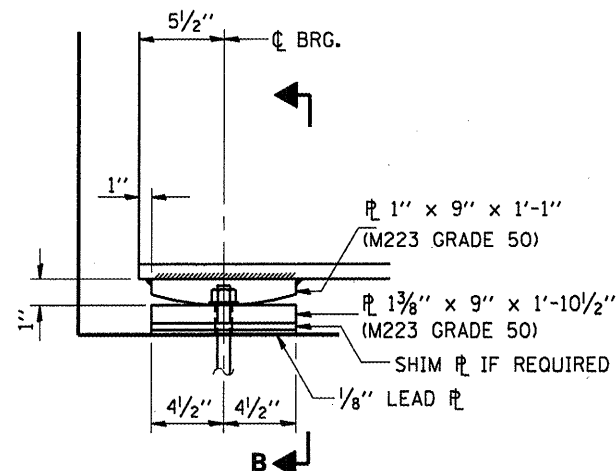


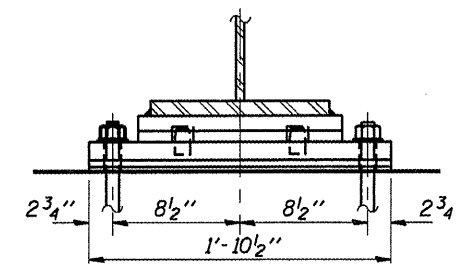
**ELEVATION AT PIER 1 - SPAN 1
AND PIER 12 - SPAN 13**

TYPE I ELASTOMERIC EXP. BRG.

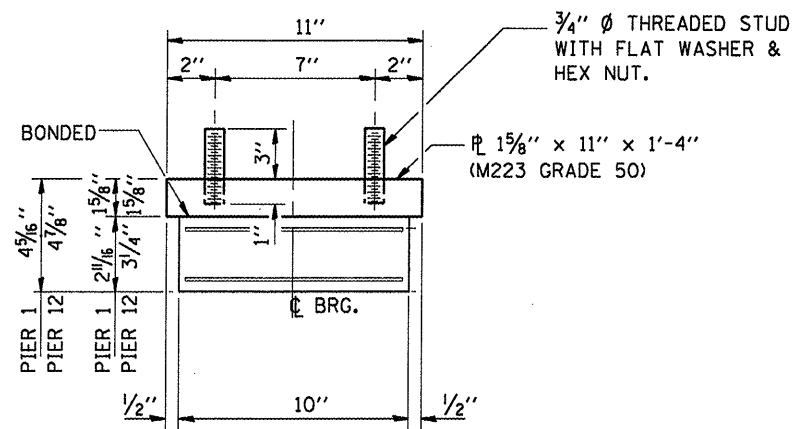


ELEVATION AT ABUTS.

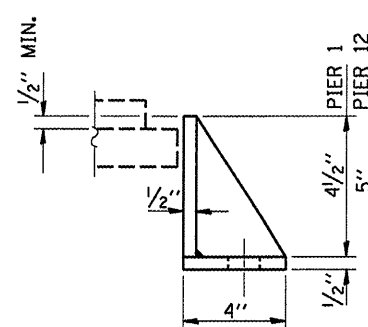
FIXED BEARING ASSEMBLY



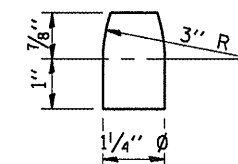
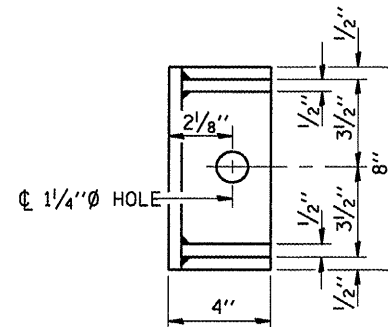
SECTION B-B



BEARING ASSEMBLY



SIDE RETAINER



PINTLE

BEARING DETAILS

N & S ABUTS.

PIER 1 - SPAN 1 & PIER 12 - SPAN 13

FAP RTE 46 SEC (1-BD)BP

LASALLE COUNTY

STA 204+67.75

SN 050-0079

| | | | |
|-------------------------------------|--|--------------------------|-----------|
| FILE NAME = | USER NAME = woodshankr-1 | DESIGNED = RON WOODSHANK | REVISED = |
| c:\pwork\pwork\WOODSHANKRL\dms29378 | d366854-shr-details.dgn | DRAWN = RON WOODSHANK | REVISED = |
| | PLOT SCALE = 100.0000 / IN. | CHECKED = | REVISED = |
| | PLOT DATE = Oct 15, 2008 - 07:07:36 AM | DATE = | REVISED = |

**STATE OF ILLINOIS
DEPARTMENT OF TRANSPORTATION**

FOR INFORMATION ONLY

SCALE: SHEET NO. 23 OF 30 SHEETS STA. 193+08.08 TO STA. 216+13.82

| F.A.P. RTE. | SECTION | COUNTY | TOTAL SHEETS | SHEET NO. |
|---|----------|---------|--------------------|-----------|
| 46 | (1-BD)BP | LASALLE | 38 | 31 |
| FED. ROAD DIST. NO. ILLINOIS FED. AID PROJECT | | | CONTRACT NO. 66854 | |